



MANUFACTURED BY:
Backyard Discovery
3305 Airport Drive, Pittsburg, KS 66762
800-856-4445

Basepoint Business Centre: Rivermead Drive, Westlea, Swindon SN5 7EX Phone: 0800-118-2476
J.P. Coenstraat 7, The Bridge, The Hague, 2595 WP, Netherlands Phone: 0800-567-8990

WOODRIDGE ELITE TIMBER RETREAT Swing Set Model # 1801080 & 2200258

The assembly manual must be retained
since it contains important information



WARNING

Adult Assembly Required.

Not suitable for children under 36 months due to small parts.
FOR DOMESTIC USE ONLY. INTENDED FOR OUTDOOR USE.



Please visit www.backyarddiscovery.com

For the most up to date assembly manual, to register your set, or to order replacement parts
Para obtener instrucciones en español, visite www.backyarddiscovery.com



**EASY STEP-BY-STEP
3D INTERACTIVE INSTRUCTIONS**
DOWNLOAD THE FREE APP



**INSTALLATION
SERVICES
AVAILABLE!**
See inside for details

Made in China

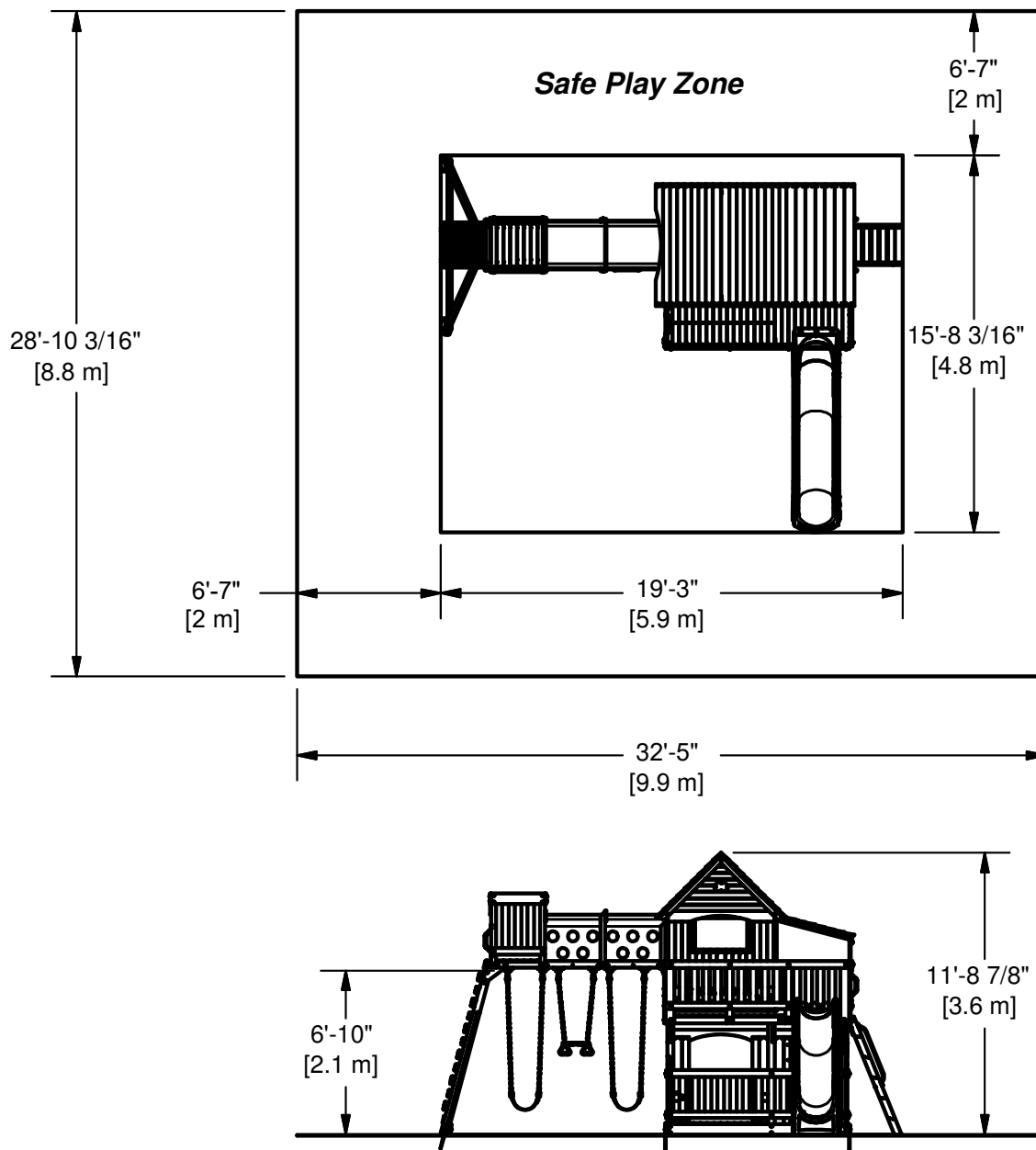
INS-1801080-A-WOODRIDGE ELITE-ENG 2-8-2022
INS-2200258-A-TIMBER RETREAT-ENG 2-8-2022

Owner's Manual - Basic Setup Dimensions & Assembly Notes

Place the set on level ground, not less than 6'-7" [2 m] from any structure or obstruction such as a fence, garage, house, overhanging branches, laundry lines, or electrical wires.

- While assembling unit, take time before and after each phase to make sure fort is level. If fort is not level, assembly will be difficult and improper assembly may result. Extra care must be taken to insure the fort is square.
- The safe play area refers to a zone extending 6'-7" (2 m) beyond the play product on all sides, including the space above the play product.

SAFE PLAY AREA DIAGRAM



Safe play height: 18'-3 7/8" [5.6 m]
Maximum fall height: 6'-10" [2.1 m]

General Information:

Your set has been designed and engineered for children only and for residential use only.
A maximum of 150 lbs. per child is recommended for play activities designed for individual use.
A maximum of 120 lbs. per child is recommended for play activities designed for multiple child use.
A maximum of 9 children is recommended for this swing set.

Parts Identification

Wood Components

(NOT TO SCALE)



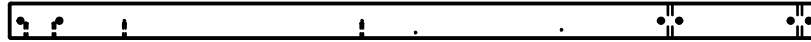
(1) **B1 - SWING BEAM - W4L09091**
3"x3"x89 1/2" (76x76x2274)



(1) **B2 - SWING BEAM - W4L09090**
3"x3"x89 1/2" (76x76x2274)



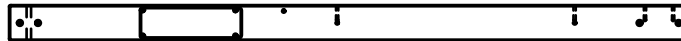
(1) **B3 - POST - W4L11178**
3"x3"x70 3/8" (76x76x1786)



(1) **B4 - POST - W4L11179**
3"x3"x70 3/8" (76x76x1786)



(1) **B5 - POST - W4L11180**
3"x3"x59" (76x76x1500)



(1) **B6 - POST - W2A02493**
3"x3"x59" (76x76x1500)



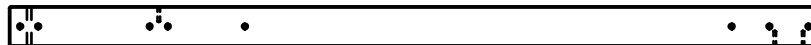
(1) **E1 - FLOOR SUPPORT - W4L09077**
1 3/8"x3 3/8"x92" (36x86x2336)



(2) **E2 - LADDER RAIL - W4L09100**
1 3/8"x3 3/8"x89 1/4" (36x86x2266)



(2) **E3 - BRACE - W4L09103**
1 3/8"x3 3/8"x72 5/8" (36x86x1845)



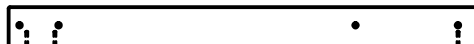
(1) **E4 - UPRIGHT - W4L11181**
1 3/8"x3 3/8"x70 3/8" (36x86x1786)



(1) **E5 - UPRIGHT - W4L11182**
1 3/8"x3 3/8"x70 3/8" (36x86x1786)



(2) **E6 - UPRIGHT - W4L11183**
1 3/8"x3 3/8"x41" (36x86x1040)



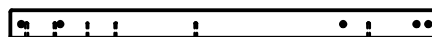
(2) **E7 - UPRIGHT - W4L11184**
1 3/8"x3 3/8"x41" (36x86x1040)



(1) **E77 - LEFT UPRIGHT - W4L11414**
1 3/8"x3 3/8"x64 3/8" (36x86x1634)



(1) **E78 - RIGHT UPRIGHT - W4L11415**
1 3/8"x3 3/8"x64 3/8" (36x86x1634)

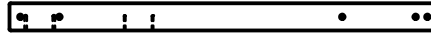


(2) **F1 - UPRIGHT - W4L11185**
1 3/8"x2 3/8"x37" (36x60x940)

Parts Identification

Wood Components

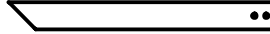
(NOT TO SCALE)



- (2) **F2 - UPRIGHT - W4L11186**
1 3/8"x2 3/8"x37" (36x60x940)



- (2) **F3 - UPRIGHT - W4L09093**
1 3/8"x2 3/8"x28 1/4" (36x60x716)



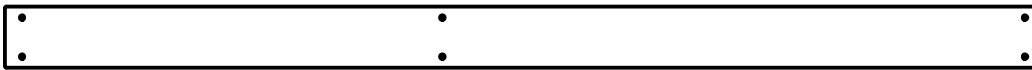
- (2) **F4 - UPRIGHT - W4L09063**
1 3/8"x2 3/8"x23 1/8" (36x60x586)



- (3) **F5 - BRACE - W4L11187**
1 3/8"x2 3/8"x18 1/8" (36x60x460)



- (2) **F6 - BRACE - W4L11632**
1 3/8"x2 3/8"x18 1/8" (36x60x460)



- (2) **G1 - GROUND BOARD - W4L09084**
1"x5 1/4"x90 1/8" (24x134x2288)



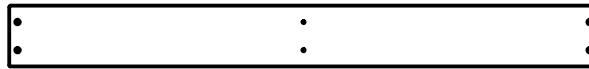
- (1) **G2 - GROUND BOARD - W4L09104**
1"x5 1/4"x89 1/2" (24x134x2274)



- (1) **G3 - GROUND BOARD - W4L09087**
1"x5 1/4"x78 1/4" (24x134x1987)



- (1) **G4 - GROUND BOARD - W4L09086**
1"x5 1/4"x78 1/4" (24x134x1987)



- (1) **G5 - GROUND BOARD - W4L09089**
1"x5 1/4"x51 1/8" (24x134x1298)



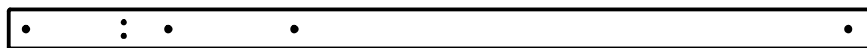
- (1) **G6 - FLOOR JOIST - W4L11188**
1"x5 1/4"x49 1/2" (24x134x1256)



- (1) **G7 - SEAT - W4L11189**
1"x5 1/4"x49 7/8" (24x134x1266)



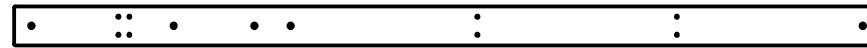
- (1) **H1 - FLOOR SUPPORT - W4L09076**
1"x3 3/8"x90 1/8" (24x86x2288)



- (1) **H2 - FLOOR SUPPORT - W4L09066**
1"x3 3/8"x75 3/8" (24x86x1914)



- (1) **H3 - FLOOR SUPPORT - W4L09078**
1"x3 3/8"x75 3/8" (24x86x1914)



- (1) **H4 - FLOOR SUPPORT - W4L11190**
1"x3 3/8"x74 3/8" (24x86x1890)

Parts Identification

Wood Components

(NOT TO SCALE)



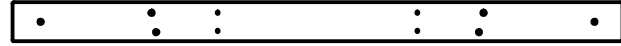
- (2) **H5 - FLOOR SUPPORT - W4L09073**
1"x3 3/8"x53 3/4" (24x86x1366)



- (2) **H6 - FLOOR JOIST - W4L11191**
1"x3 3/8"x53 3/4" (24x86x1366)



- (1) **H7 - FLOOR SUPPORT - W4L09069**
1"x3 3/8"x53 3/4" (24x86x1366)



- (1) **H8 - FLOOR SUPPORT - W4L09064**
1"x3 3/8"x53" (24x86x1346)



- (1) **H9 - FLOOR SUPPORT - W4L09072**
1"x3 3/8"x53" (24x86x1346)



- (1) **H10 - SUPPORT BOARD - W4L09062**
1"x3 3/8"x53" (24x86x1346)



- (4) **H11 - ROOF RAFTER - W4L11192**
1"x3 3/8"x43 7/8" (24x86x1114)



- (1) **H12 - WALL RAIL - W4L09057**
1"x3 3/8"x38 3/4" (24x86x983)



- (1) **H13 - WALL RAIL - W4L09049**
1"x3 3/8"x36 1/4" (24x86x922)



- (1) **H14 - FLOOR SUPPORT - W4L11193**
1"x3 3/8"x35 3/8" (24x86x898)



- (3) **H15 - FLOOR JOIST - W4L11194**
1"x3 3/8"x35 3/8" (24x86x898)



- (1) **H16 - WALL RAIL - W4L09053**
1"x3 3/8"x26 1/4" (24x86x668)



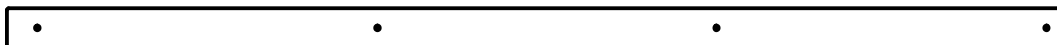
- (1) **H17 - WALL RAIL - W4L09052**
1"x3 3/8"x23 3/4" (24x86x604)



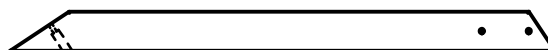
- (1) **H18 - SEAT - W4L11195**
1"x3 3/8"x49 7/8" (24x86x1266)



- (1) **H19 - SUPPORT BOARD - W4L11196**
1"x3 3/8"x5 1/4" (24x86x132)



- (1) **H20 - WALL RAIL - W4L09051**
1"x3 3/8"x92" (24x86x2336)



- (2) **H21 - ANGLE BRACE - W4L11112**
1"x3 3/8"x47 1/4" (24x86x1201)

Parts Identification

Wood Components

(NOT TO SCALE)



- (1) **H22 - WALL RAIL - W4L09050**
1"x3 3/8"x78" (24x86x1982)



- (2) **H23 - SUPPORT BOARD - W4L11452**
1"x3 3/8"x6 1/4" (24x86x160)



- (1) **H24 - FLOOR JOIST - W4L11451**
1"x3 3/8"x53 3/4" (24x86x1366)



- (5) **H76 - LADDER RUNG - W4L06609**
1"x3 3/8"x18 1/8" (24x86x460)



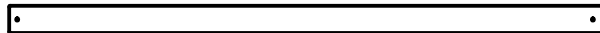
- (2) **J1 - PORCH RAFTER - W4L11197**
1"x2 3/8"x38 1/8" (24x60x969)



- (1) **J2 - SAFETY RAIL - W4L09075**
1"x2 3/8"x52 1/4" (24x60x1326)



- (1) **J3 - SAFETY RAIL - W4L09065**
1"x2 3/8"x50 1/2" (24x60x1282)



- (1) **J4 - SAFETY RAIL - W4L09074**
1"x2 3/8"x52" (24x60x1322)



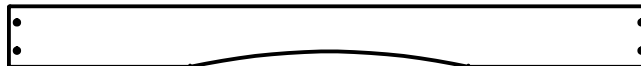
- (1) **J5 - SAFETY RAIL - W4L09070**
1"x2 3/8"x53 3/4" (24x60x1366)



- (1) **K1 - DOUBLE ARCHED RAIL - W4L09079**
5/8"x5 1/4"x90 1/8" (16x134x2288)



- (1) **K2 - WALL RAIL - W4L09060**
5/8"x5 1/4"x55 5/8" (16x134x1414)



- (1) **K3 - ARCHED RAIL - W4L09047**
5/8"x5 1/4"x55 5/8" (16x134x1414)



- (1) **K4 - ARCHED RAIL - W4L09045**
5/8"x5 1/4"x55 5/8" (16x134x1414)



- (1) **K5 - WALL RAIL - W4L09061**
5/8"x5 1/4"x54 1/4" (16x134x1378)



- (1) **K6 - ARCHED RAIL - W4L09046**
5/8"x5 1/4"x54 1/4" (16x134x1378)



- (1) **K7 - ARCHED RAIL - W4L09048**
5/8"x5 1/4"x54 1/4" (16x134x1378)

Parts Identification

Wood Components

(NOT TO SCALE)



- (2) **K8 - WALL RAIL - W4L09097**
5/8"x5 1/4"x27 1/8" (16x134x690)



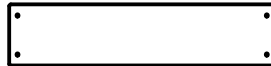
- (2) **K9 - WALL RAIL - W4L09096**
5/8"x5 1/4"x26 7/8" (16x134x682)



- (2) **K10 - ARCHED RAIL - W4L09094**
5/8"x5 1/4"x25 7/8" (16x134x658)



- (1) **K11 - ARCHED RAIL - W4L09098**
5/8"x5 1/4"x25 7/8" (16x134x658)



- (1) **K12 - FLOOR BOARD - W4L11198**
5/8"x5 1/4"x23 1/8" (16x134x586)



- (2) **K13 - WALL RAIL - W4L09071**
5/8"x5 1/4"x14 1/8" (16x134x360)



- (1) **K14 - WALL RAIL - W4L09068**
5/8"x5 1/4"x11 5/8" (16x134x294)



- (1) **K15 - WALL RAIL - W4L09067**
5/8"x5 1/4"x11 5/8" (16x134x294)



- (1) **K16 - SAFETY RAIL - W4L11199**
5/8"x5 1/4"x16 7/8" (16x134x430)



- (2) **K91 - GABLE BOARD - W4L11200**
3/8"x3 3/8"x49 5/8" (11x86x1260)



- (2) **K92 - GABLE BOARD - W4L11201**
3/8"x3 3/8"x43 1/4" (11x86x1098)



- (2) **K93 - GABLE BOARD - W4L11202**
3/8"x3 3/8"x36 7/8" (11x86x936)



- (2) **K94 - GABLE BOARD - W4L11203**
3/8"x3 3/8"x30 1/2" (11x86x774)



- (2) **K95 - GABLE BOARD - W4L11204**
3/8"x3 3/8"x24 1/8" (11x86x612)



- (2) **K96 - GABLE BOARD - W4L11205**
3/8"x3 3/8"x17 3/4" (11x86x450)

Parts Identification

Wood Components

(NOT TO SCALE)



- (2) **K97 - GABLE BOARD - W4L11206**
3/8"x3 3/8"x11 3/8" (11x86x288)



- (2) **K98 - GABLE BOARD - W4L11207**
3/8"x3 3/8"x5" (11x86x126)



- (1) **L1 - WALL BOARD - W4L11208**
5/8"x4 3/8"x54 1/4" (16x112x1378)



- (2) **L2 - WALL BOARD - W4L11209**
5/8"x4 3/8"x45 1/8" (16x112x1146)



- (1) **L3 - CORNER BOARD - W4L11210**
5/8"x4 3/8"x41 1/2" (16x112x1055)



- (2) **L4 - WALL BOARD - W4L11211**
5/8"x4 3/8"x41 1/8" (16x112x1044)



- (2) **L5 - WALL BOARD - W4L11212**
5/8"x4 3/8"x36" (16x112x914)



- (1) **L6 - CORNER BOARD - W4L11111**
5/8"x4 3/8"x31" (16x112x788)



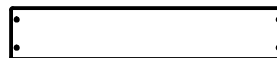
- (1) **L7 - CORNER BOARD - W4L11213**
5/8"x4 3/8"x31" (16x112x788)



- (1) **L8 - CORNER BOARD - W4L11214**
5/8"x4 3/8"x31" (16x112x788)



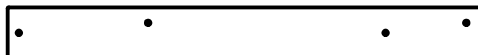
- (2) **L9 - CORNER BOARD - W4L11215**
5/8"x4 3/8"x31" (16x112x788)



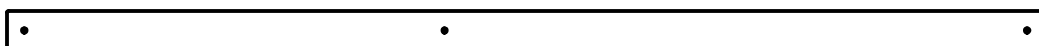
- (4) **L10 - WALL BOARD - W4L11216**
5/8"x4 3/8"x23 3/4" (16x112x602)



- (1) **L11 - WALL BOARD - W4L11217**
5/8"x4 3/8"x20 3/8" (16x112x518)



- (1) **L12 - CORNER BOARD - W4L11218**
5/8"x4 3/8"x41 1/2" (16x112x1055)



- (2) **M2 - WALL RAIL - W4L09088**
5/8"x3 3/8"x90 1/8" (16x86x2288)

Parts Identification

Wood Components

(NOT TO SCALE)



- (11) **M4 - FLOOR BOARD - W4L11219**
5/8"x3 3/8"x76 3/4" (16x86x1950)



- (14) **M5 - FLOOR BOARD - W4L11220**
5/8"x3 3/8"x53" (16x86x1346)



- (16) **M6 - FLOOR BOARD - W4L11221**
5/8"x3 3/8"x53" (16x86x1346)



- (1) **M7 - WALL RAIL - W4L09054**
5/8"x3 3/8"x63 1/4" (16x86x1608)



- (4) **M8 - WALL RAIL - W4L09085**
5/8"x3 3/8"x51 3/4" (16x86x1314)



- (2) **M9 - WALL BOARD - W4L11222**
5/8"x3 3/8"x45 1/8" (16x86x1146)



- (2) **M10 - WALL BOARD - W4L11223**
5/8"x3 3/8"x41 1/8" (16x86x1044)



- (1) **M11 - WALL RAIL - W4L09055**
5/8"x3 3/8"x39 7/8" (16x86x1012)



- (6) **M12 - WALL BOARD - W4L11224**
5/8"x3 3/8"x36" (16x86x914)



- (20) **M13 - WALL BOARD - W4L11225**
5/8"x3 3/8"x36" (16x86x914)



- (2) **M14 - WALL BOARD - W4L11226**
5/8"x3 3/8"x31" (16x86x788)



- (2) **M15 - WALL BOARD - W4L11227**
5/8"x3 3/8"x31" (16x86x788)



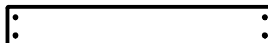
- (4) **M16 - WALL RAIL - W4L09092**
5/8"x3 3/8"x27 3/4" (16x86x706)



- (2) **M17 - WALL RAIL - W4L09095**
5/8"x3 3/8"x26 7/8" (16x86x682)



- (16) **M18 - FLOOR BOARD - W4L11228**
5/8"x3 3/8"x24 3/4" (16x86x628)



- (24) **M19 - FLOOR BOARD - W4L11229**
5/8"x3 3/8"x23 1/8" (16x86x586)



- (1) **M20 - FLOOR BOARD - W4L11230**
5/8"x3 3/8"x23 1/8" (16x86x586)

Parts Identification

Wood Components

(NOT TO SCALE)



- (1) **M21 - LADDER RUNG - W4L09102**
5/8"x3 3/8"x22 1/2" (16x86x572)



- (11) **M22 - LADDER RUNG - W4L09101**
5/8"x3 3/8"x22 1/2" (16x86x572)



- (1) **M23 - LADDER RUNG - W4L09099**
5/8"x3 3/8"x16 7/8" (16x86x429)



- (1) **M24 - WALL RAIL - W4L09056**
5/8"x3 3/8"x16" (16x86x406)



- (5) **M25 - WALL BOARD - W4L11231**
5/8"x3 3/8"x14 1/4" (16x86x362)



- (1) **M26 - WALL RAIL - W4L09082**
5/8"x3 3/8"x11 1/8" (16x86x284)



- (1) **M27 - WALL RAIL - W4L09083**
5/8"x3 3/8"x10 3/4" (16x86x274)



- (2) **M28 - CLEAT - W4L11232**
5/8"x3 3/8"x5 1/4" (16x86x132)



- (6) **M47 - PICKET - 51 - W4L11233**
5/8"x3 3/8"x25 1/4" (16x86x640)



- (53) **M49 - PICKET - 53 - W4L11234**
5/8"x3 3/8"x20 3/8" (16x86x518)



- (1) **M73 - REAR SUPPORT - W4L11417**
5/8"x3 3/8"x20 1/8" (16x86x512)



- (1) **M110 - ATTACHMENT BOARD - W4L11450**
5/8"x3 3/8"x20 1/8" (16x86x512)



- (1) **N1 - WALL BOARD - W4L11235**
5/8"x2 3/8"x32" (16x60x812)



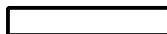
- (1) **N2 - WINDOW TRIM - W4L09059**
5/8"x2 3/8"x30" (16x60x761)



- (1) **N3 - WINDOW TRIM - W4L09081**
5/8"x2 3/8"x22 1/2" (16x60x570)



- (2) **N4 - WINDOW TRIM - W4L09080**
5/8"x2 3/8"x19 7/8" (16x60x504)



- (2) **N5 - WINDOW TRIM - W4L09058**
5/8"x2 3/8"x14" (16x60x356)



- (2) **N6 - WALL BOARD - W4L11236**
5/8"x2 3/8"x10 3/8" (16x60x264)

Parts Identification

Wood Components

(NOT TO SCALE)



- (2) **O5 - CLEAT - W4L11237**
5/8"x1 3/8"x36 7/8" (16x34x936)



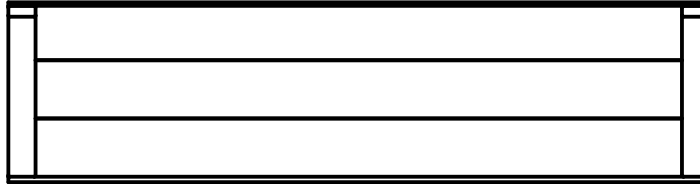
- (1) **O6 - CLEAT - W4L11238**
5/8"x1 3/8"x26 3/4" (16x34x680)



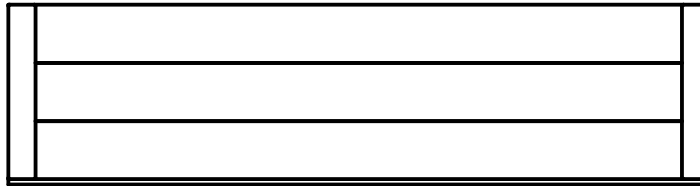
- (1) **O70 - SLIDE MOUNTING BOARD - W4L09040**
5/8"x1 3/8"x20 3/8" (16x34x517)



- (1) **Y1 - FLOOR BOARD - W4L11239**
5/8"x4"x45 1/8" (16x102x1146)



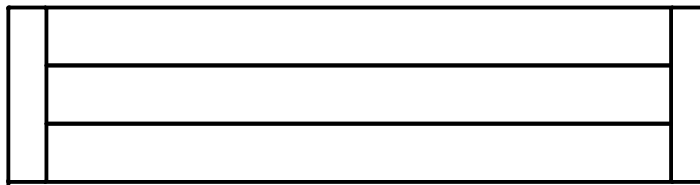
- (2) **RP1 - PEAK ROOF PANEL - W2A02287**
1 5/8"x15 5/8"x60 7/8" (42x396x1546)



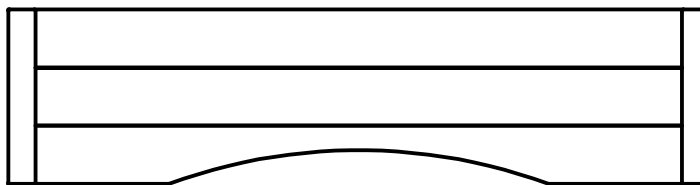
- (3) **RP2 - ROOF PANEL - W2A02288**
1 5/8"x15 5/8"x60 7/8" (42x396x1546)



- (1) **RP3 - PORCH PANEL - W2A02289**
1 5/8"x20 5/8"x60 7/8" (42x524x1546)



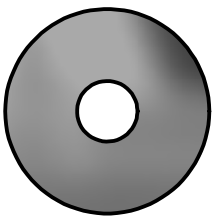
- (1) **RP4 - PORCH PANEL - W2A02290**
1 5/8"x15 5/8"x60 7/8" (42x396x1546)



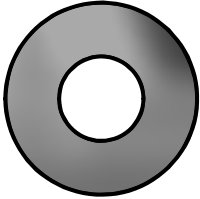
- (1) **RP5 - ROOF PANEL - W2A02291**
1 5/8"x15 5/8"x60 7/8" (42x396x1546)

Parts Identification

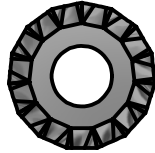
Hardware



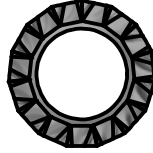
(4) - WASHER FLAT 8x27 SD - H100705



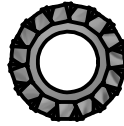
(13) - WASHER FLAT 11x25 SD - H100703



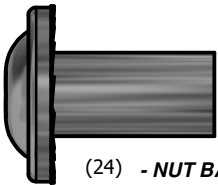
(197) - WASHER LOCK EXT 8x19 SD - H100554



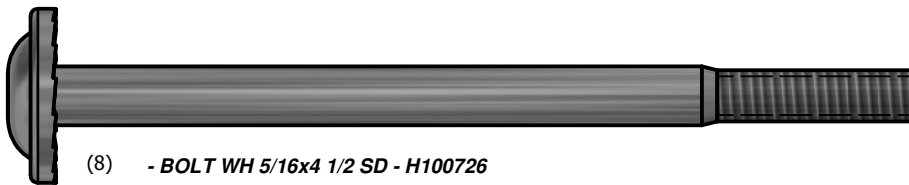
(24) - WASHER LOCK EXT 12x19 SD - H100707



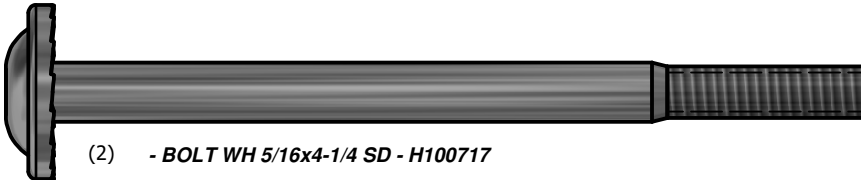
(2) - WASHER LOCK EXT 6x15 SD - H100546



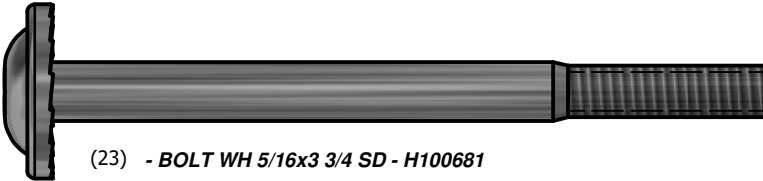
(24) - NUT BARREL WH 5/16x7/8 SD - H100693



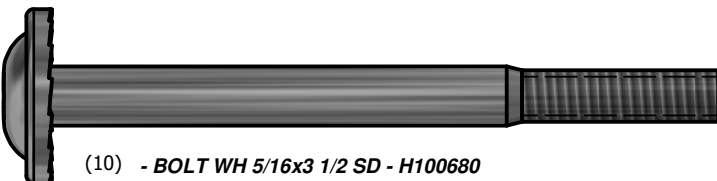
(8) - BOLT WH 5/16x4 1/2 SD - H100726



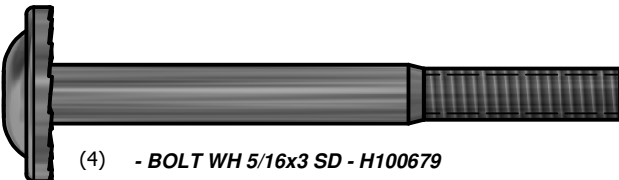
(2) - BOLT WH 5/16x4-1/4 SD - H100717



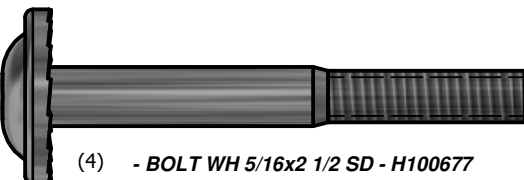
(23) - BOLT WH 5/16x3 3/4 SD - H100681



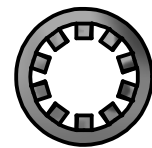
(10) - BOLT WH 5/16x3 1/2 SD - H100680



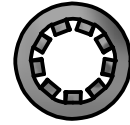
(4) - BOLT WH 5/16x3 SD - H100679



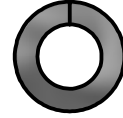
(4) - BOLT WH 5/16x2 1/2 SD - H100677



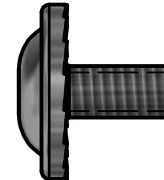
(13) - WASHER LOCK INT 10x18 SD - H100708



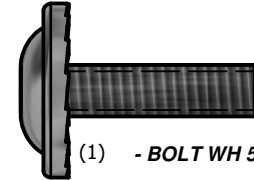
(24) - WASHER LOCK INT 8x15 SD - H100710



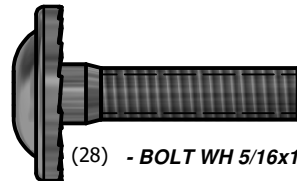
(4) - WASHER SPLIT 5/16 SD - H100711



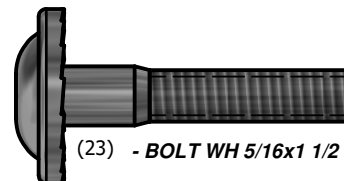
(13) - BOLT WH 5/16x1/2 SD - H100675



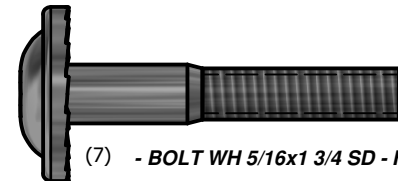
(1) - BOLT WH 5/16x1 SD - H100672



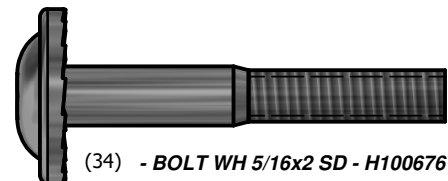
(28) - BOLT WH 5/16x1 1/4 SD - H100714



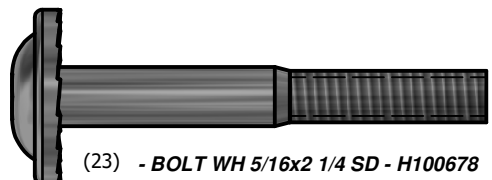
(23) - BOLT WH 5/16x1 1/2 SD - H100673



(7) - BOLT WH 5/16x1 3/4 SD - H100555



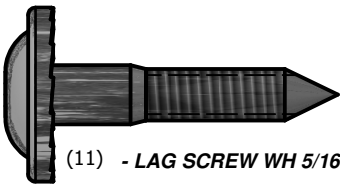
(34) - BOLT WH 5/16x2 SD - H100676



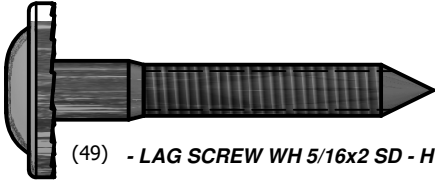
(23) - BOLT WH 5/16x2 1/4 SD - H100678

Parts Identification

Hardware



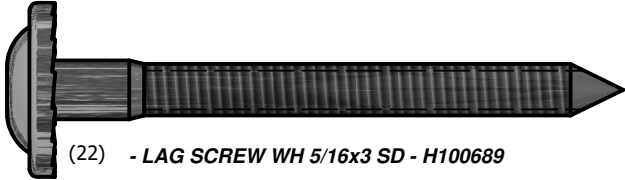
(11) - LAG SCREW WH 5/16x1 1/2 SD - H100685



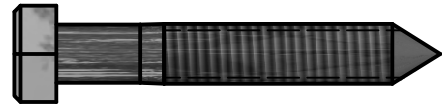
(49) - LAG SCREW WH 5/16x2 SD - H100686



(3) - LAG SCREW WH 5/16x2 1/2 SD - H100687



(22) - LAG SCREW WH 5/16x3 SD - H100689



(2) - LAG SCREW HEX 5/16x2 SD - H100684



(2) - LAG SCREW WH 1/4x2 SD - H100553



(4) - SCREW PFH 8x1 1/2 SD - H100543



(537) - SCREW PFH 8x1 1/8 SD - H100540



(23) - SCREW PFH 8x1 1/4 SD - H100539



(355) - SCREW PFH 8x1 1/2 SD - H100538



(9) - SCREW PFH 8x1 3/4 SD - H100541



(212) - SCREW PFH 8x2 SD - H100542

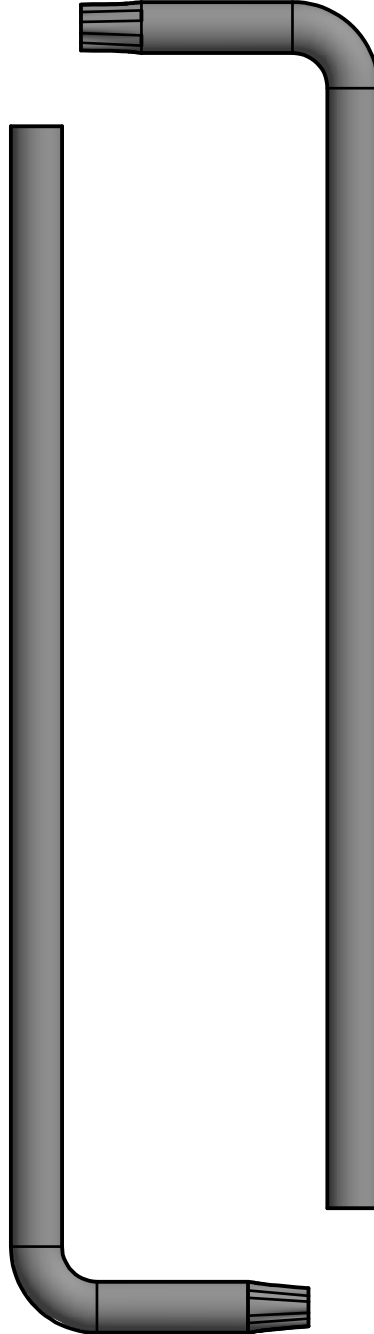


(70) - SCREW PFH 8x2 1/2 SD - H100695

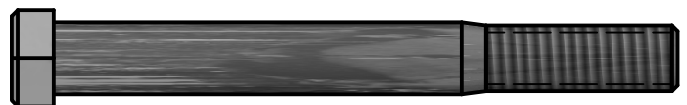


(2) - SCREW PFH 8x3 SD - H100723

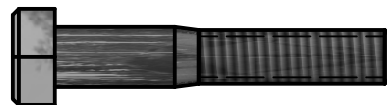
(2) - T-40 TORX WRENCH - A100041



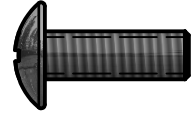
(2) - T-30 TORX WRENCH - H100114



(13) - BOLT HEX 3/8x3 1/4 SD - H100727



(2) - BOLT HEX 5/16x1 3/4 SD - H100674



(24) - BOLT PTH 1/4x3/4 SD - H100670



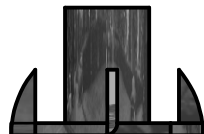
(9) - SCREW PWH 8x5/8 SD - H100544



(24) - T-NUT 1/4 SD - H100699



(148) - T-NUT 5/16 SD - H100556



(13) - T-NUT 3/8 SD - H100700



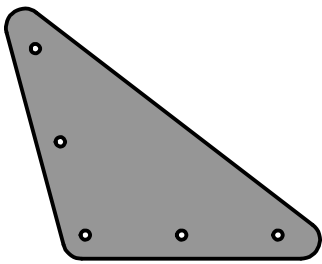
(2) - T-30 TORX BIT - H100147



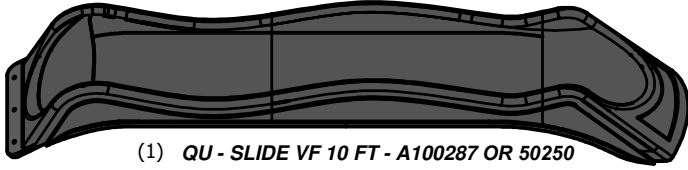
(2) - T-40 TORX BIT - A100042

Parts Identification

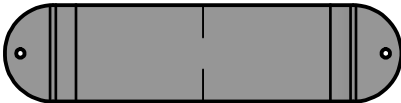
Accessories (NOT TO SCALE)



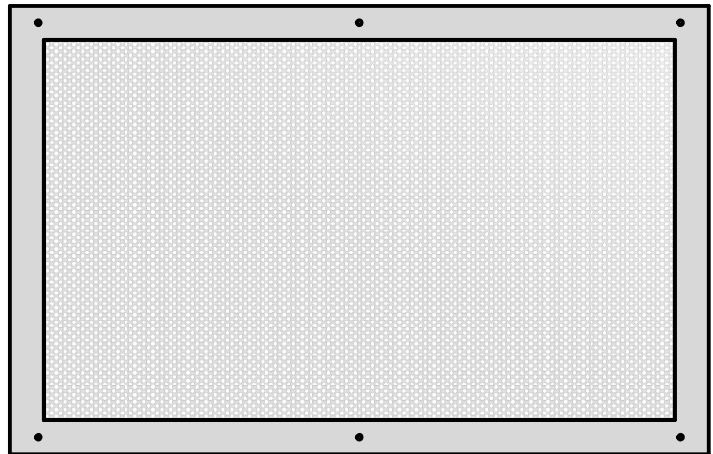
(2) **DD - TRIANGLE PLATE 105 5 HOLE - A100005**



(1) **QU - SLIDE VF 10 FT - A100287 OR 50250**



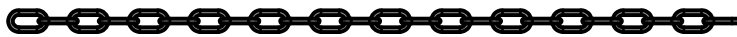
(2) **- SWING SEAT GREEN 22IN - A6P00054**



(1) **HP - MESH PANEL - A100012**



(4) **EF - CHAIN GREEN 57" - A100047**



(2) **KN - CHAIN GREEN 31" - A100177**



(2) **JV - HAND GRIP GREEN 816 C/C - A100134**



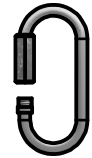
(4) **FX - HAND GRIP METAL GREEN 381 c/c - A100118**



(1) **HC - BYD ID TAG (LARGE) 2011 WITH AGES - A100164**



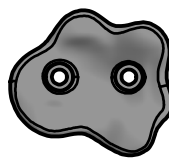
(13) **TZ - L BRACKET 2.5x38x50x55 - A100340**



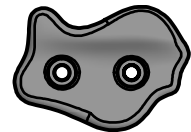
(6) **- QUICK LINK SD - A4M00927**



(1) **SQ - "A" REVISION TAG - A100314**



(6) **- GREEN HC ROCK #1 - A6P00036**



(5) **- GREEN HC ROCK #2 - A6P00037**



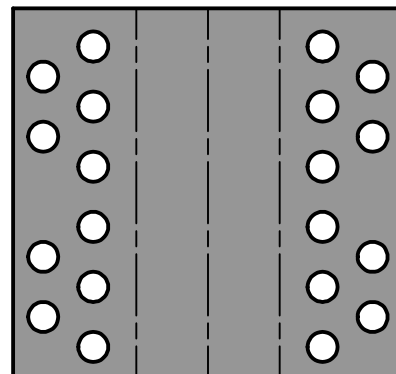
(6) **SWING HANGER - A4M00926**



(6) **- GROUND STAKE REBAR - A4M00527**



(1) **- TRAPEZE - A6P00034**



(1) **- TUNNEL - A6P00273
1/8"x61 3/8"x81" (2x1558x1649)**

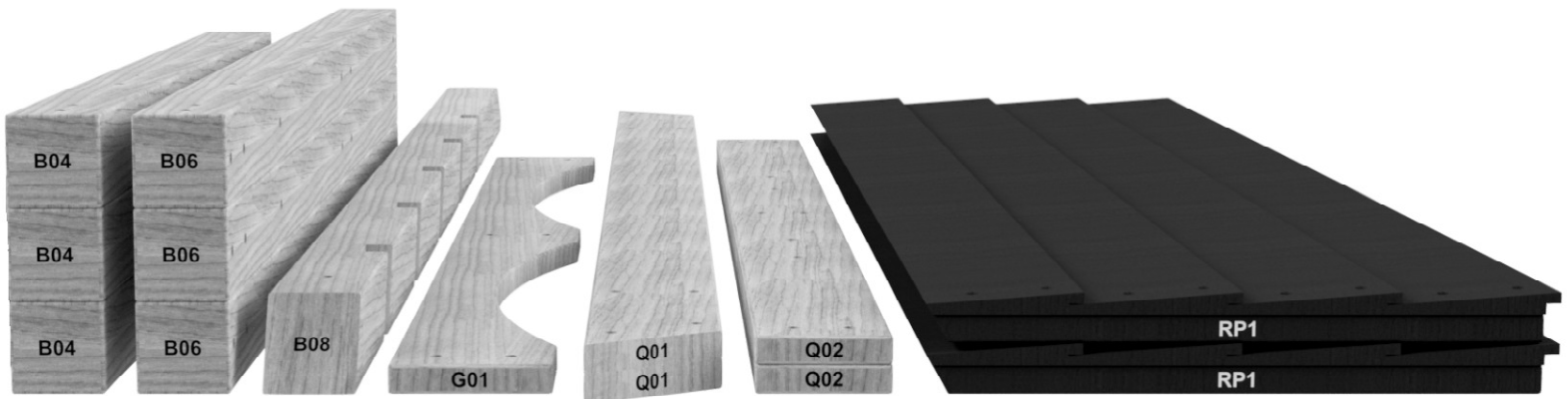
PRE-ASSEMBLY STEP 1 - SORTING PARTS

It is critical for ease of assembly that you take the time to sort and organize the wood and hardware.

WOOD PARTS:

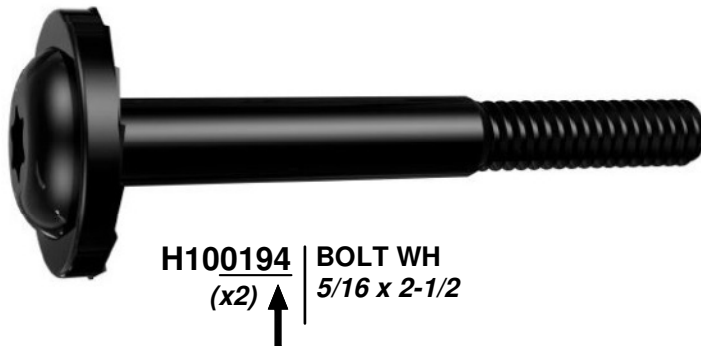
- Organize wood parts by the three-digit, alpha-numeric number stamped on each board (ex. P01).
- If there are multiple boards with the same stamped number, stack those pieces together.
- Stamps can be found on the flat surface of the boards or on the end of the boards.
- Allow yourself plenty of room - the wood pieces can take up a significant amount of space.

NOTE: CARTONS ARE NOT ORGANIZED BY BOARD NUMBER.



HARDWARE PARTS:

- We recommend that you have a separate table to organize the hardware.
- Hardware bags are printed with a seven-digit, alpha-numeric part number.
- You can organize your hardware by part number or group by hardware type (i.e. bolts, nuts, etc.).
- During assembly you only need to reference the last four digits of the number.



PRE-ASSEMBLY STEP 2 - TOOLS REQUIRED



**Cordless Drill or
Electric Drill**



**Drill Attachments:
Phillips Head**



**1/8", 3/16", 3/8" & 7/16"
Drill Bits**



Phillips Screw Driver



Open End Wrenches 1/2" & 9/16"



**3/8" Drive Ratchet, 1/2" &
9/16" STD Sockets 1/2" & 9/16" Deep
Sockets**



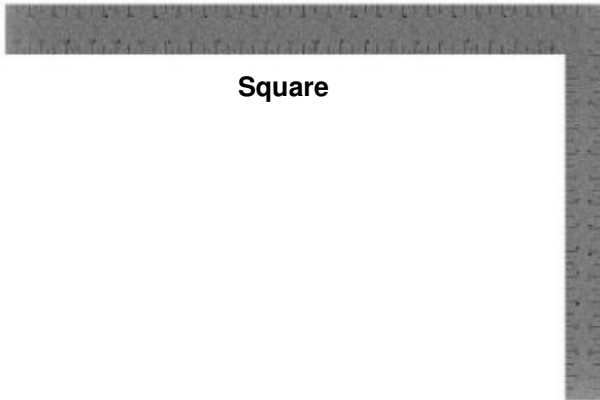
Claw Hammer



Rubber Mallet - Optional



Tape Measure



Square

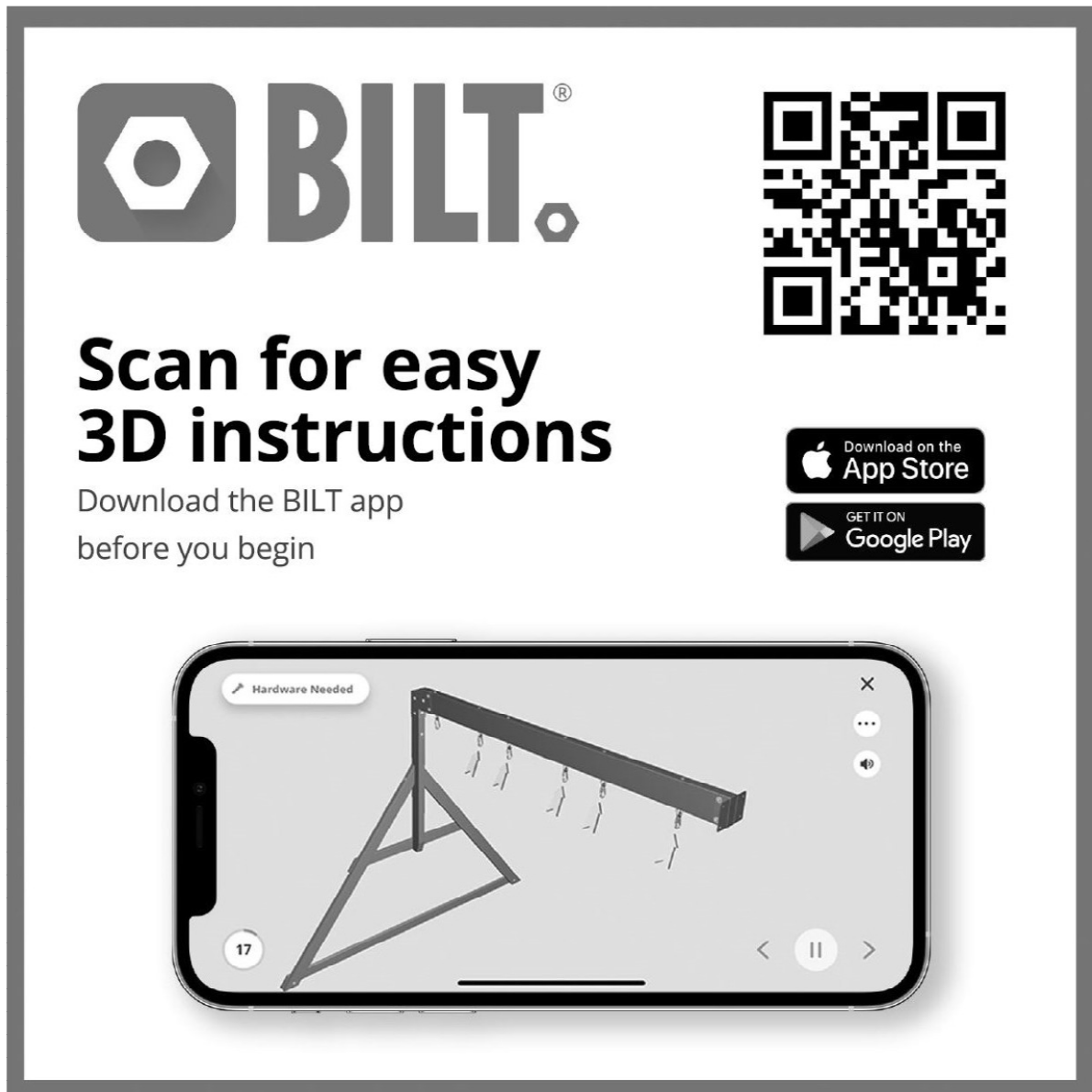


Level 24"

PRE-ASSEMBLY STEP 3 - CHOOSE YOUR ASSEMBLY METHOD

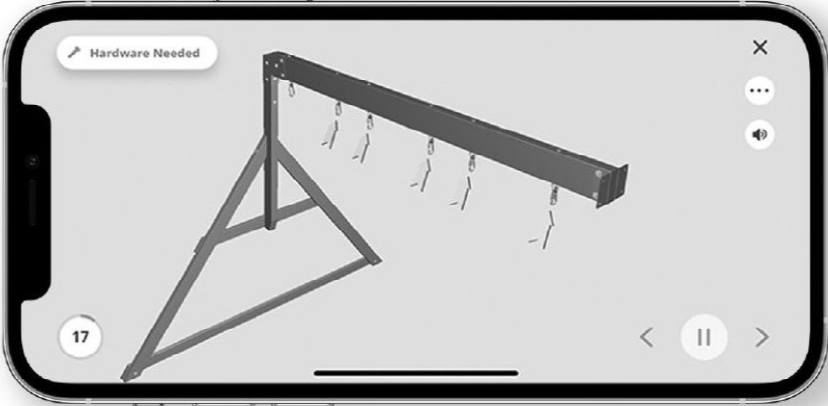


There are several types of assembly instructions available to you.

1. Printed Assembly Manual included with your set
2. BILT APP - 3D interactive instructions
3. Combination of the Printed Manual and BILT APP (Note: Step numbers can differ between the two methods)

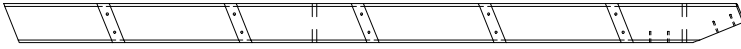


Scan for easy 3D instructions

Download the BILT app
before you begin



The image shows a smartphone screen displaying the BILT app interface. At the top left, there is a button labeled "Hardware Needed". The main area shows a 3D assembly diagram of a metal frame with a horizontal beam and several hanging components. In the bottom left corner, there is a page number "17". In the bottom right corner, there are navigation icons: a back arrow, a pause button, and a forward arrow. The top right corner has a close button (X), a menu button (three dots), and a volume icon.

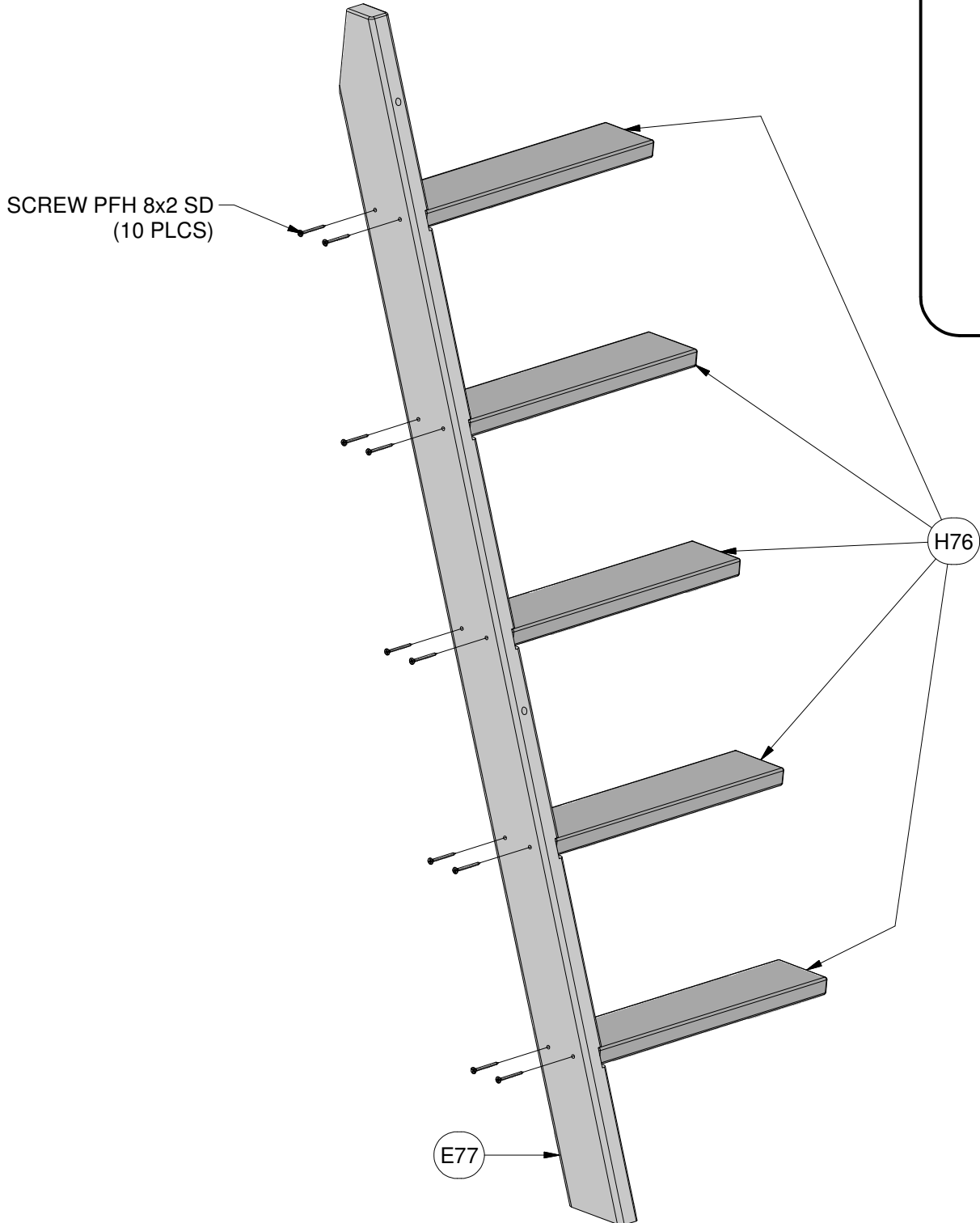


(1) **E77 - LEFT UPRIGHT - W4L11414**
1 3/8"x3 3/8"x64 3/8" (36x86x1634)



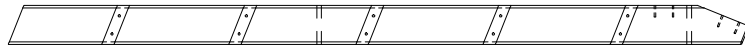
(5) **H76 - LADDER RUNG - W4L06609**
1"x3 3/8"x18 1/8" (24x86x460)

5 FOOT LADDER ASSEMBLY STEP 1



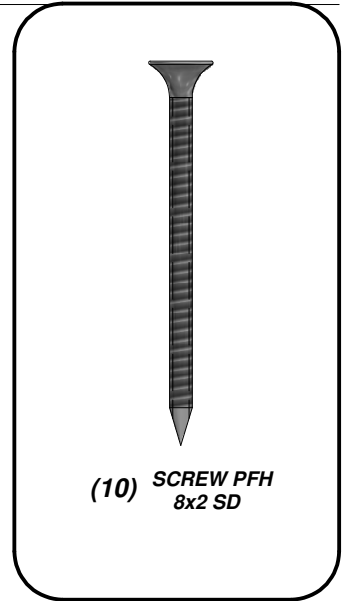
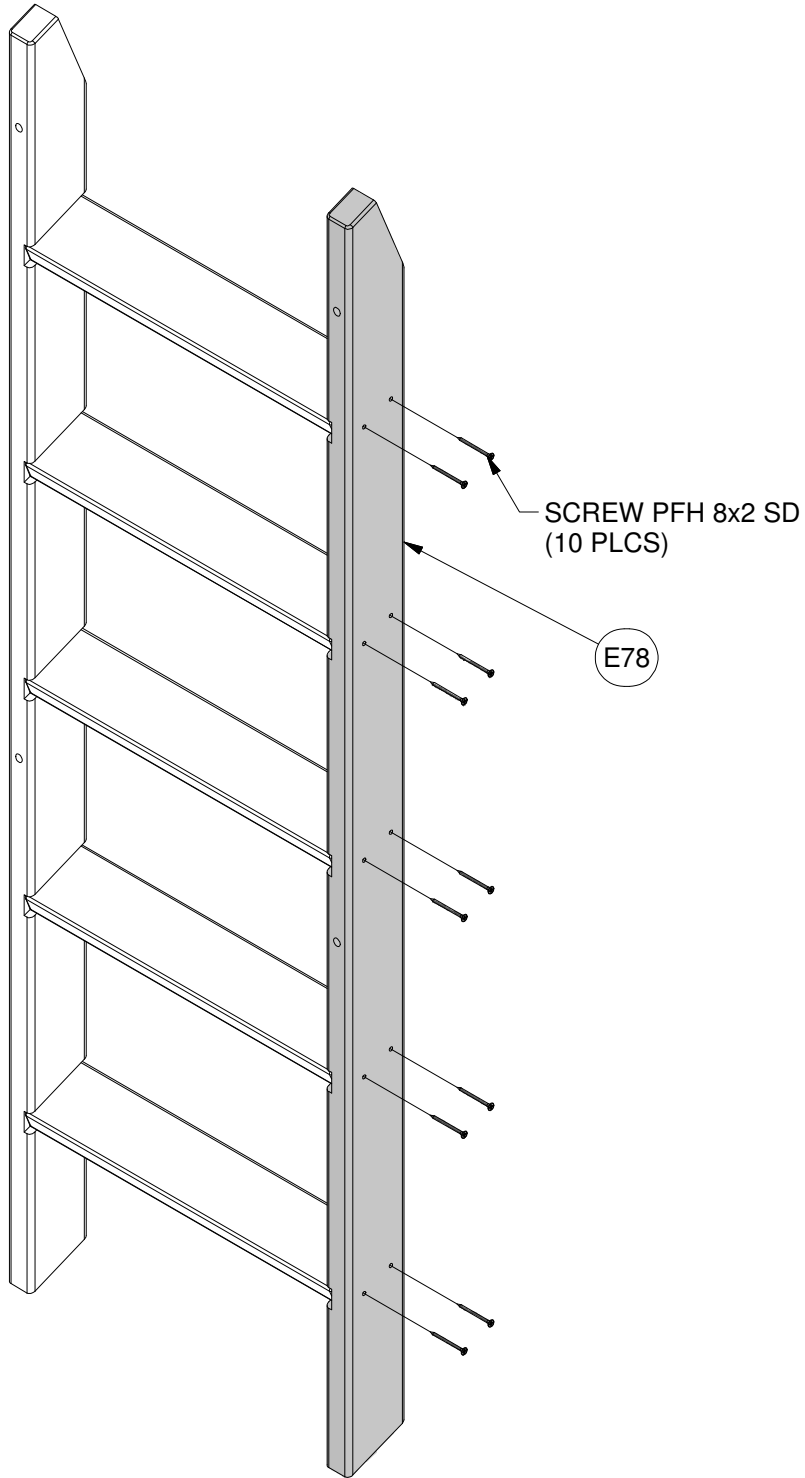
SCREW PFH 8x2 SD
(10 PLCS)

(10) SCREW PFH
8x2 SD



(1) **E78 - RIGHT UPRIGHT - W4L11415**
1 3/8"x3 3/8"x64 3/8" (36x86x1634)

5 FOOT LADDER ASSEMBLY
STEP 2



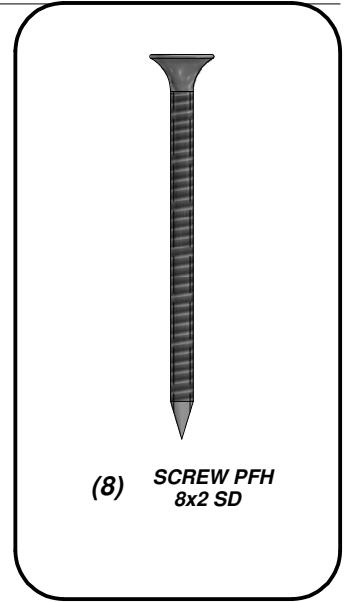
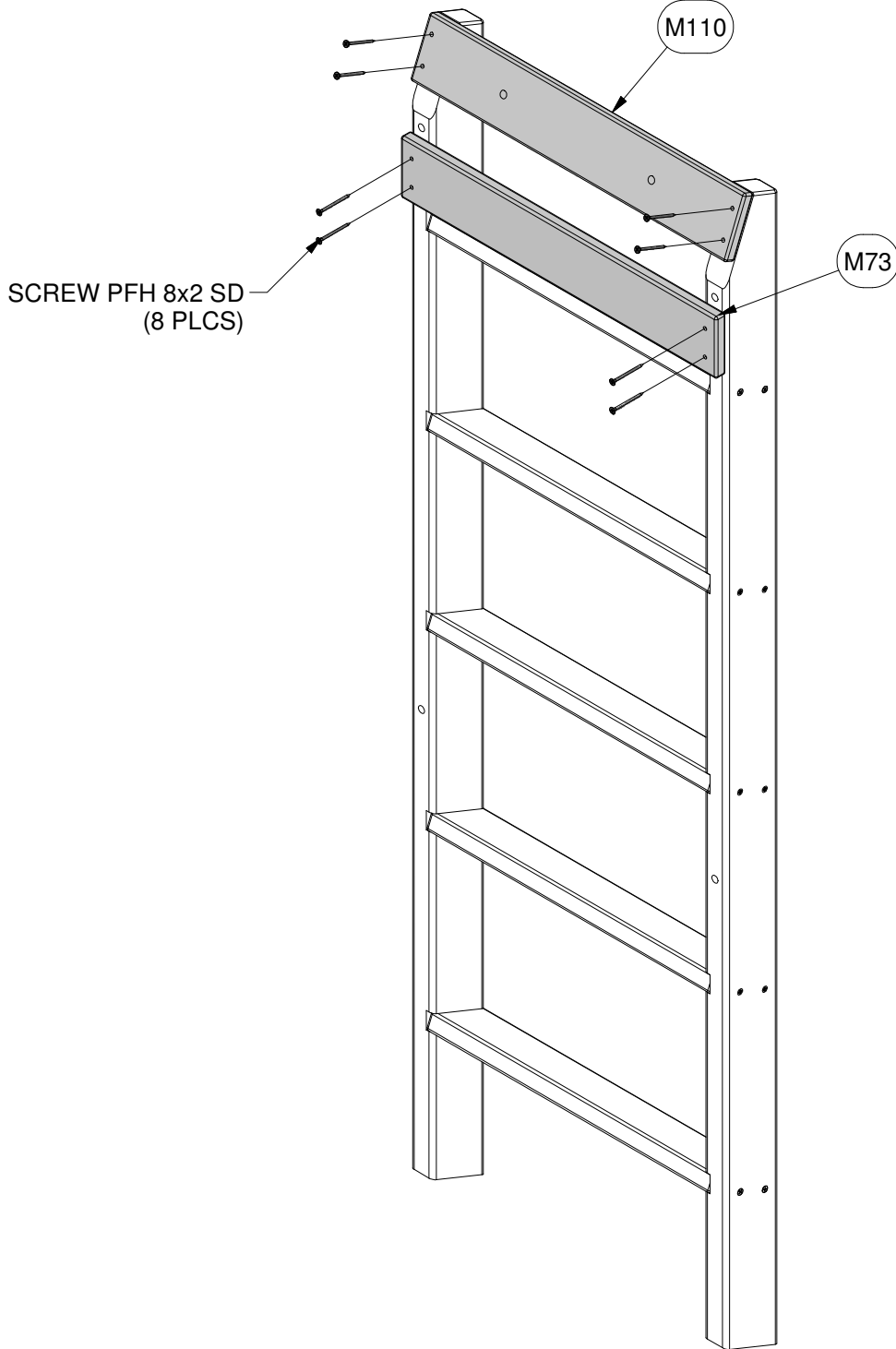


(1) **M73 - REAR SUPPORT - W4L11417**
 5/8"x3 3/8"x20 1/8" (16x86x512)



(1) **M110 - ATTACHMENT BOARD - W4L11450**
 5/8"x3 3/8"x20 1/8" (16x86x512)

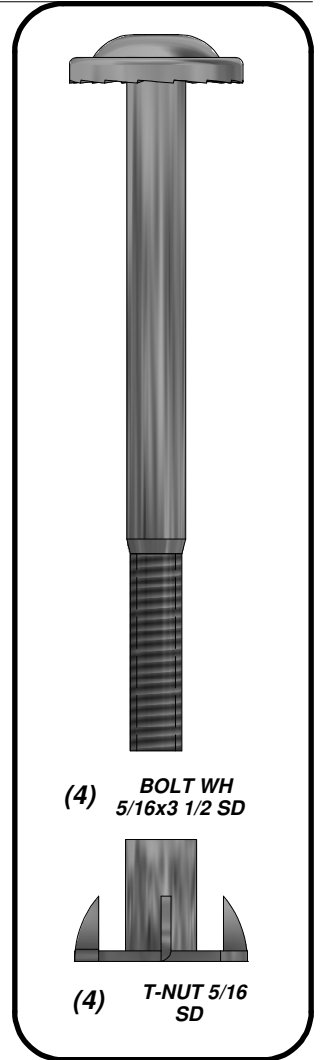
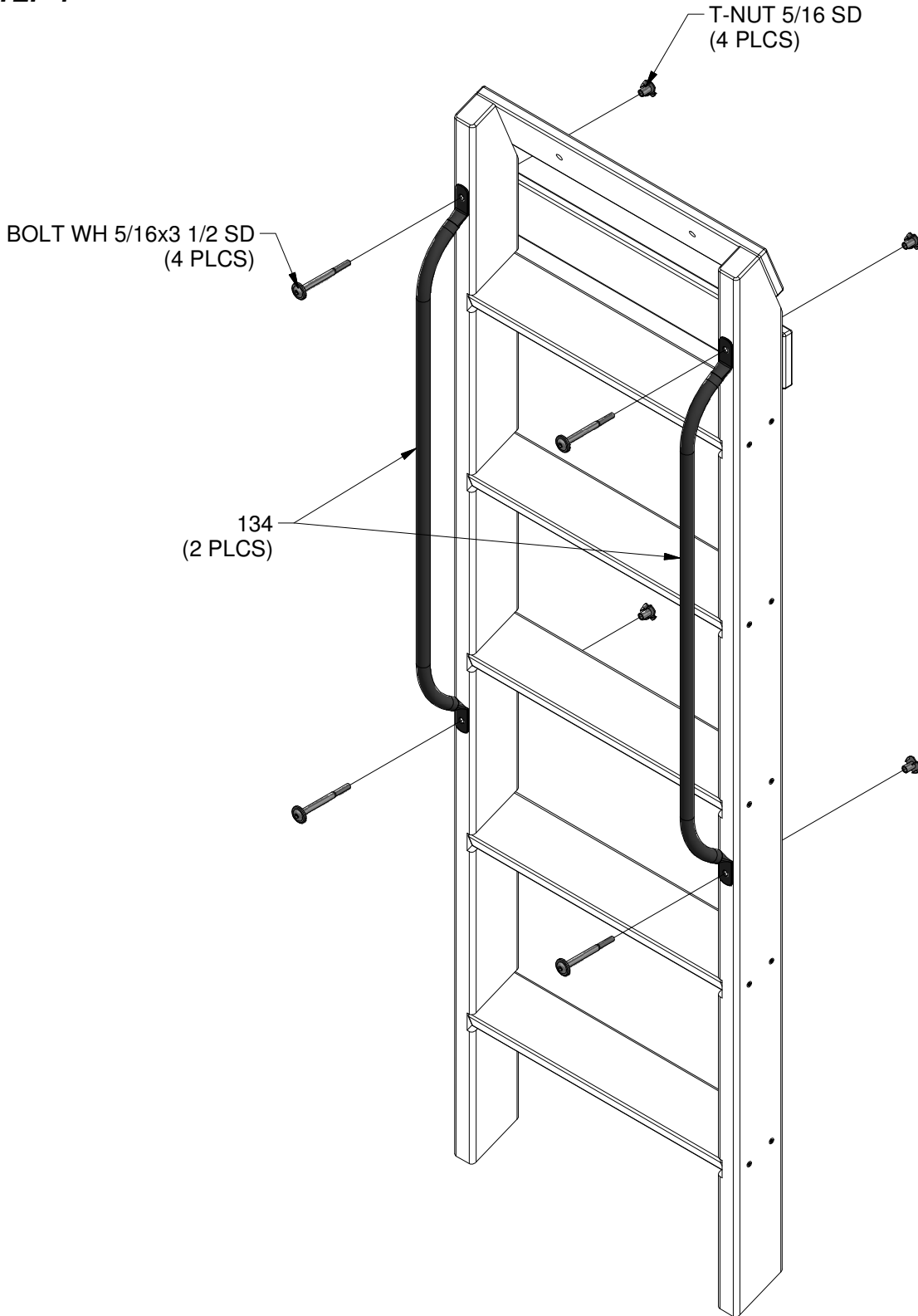
5 FOOT LADDER ASSEMBLY
STEP 3





(2) - HAND GRIP GREEN 816 C/C - A100134

5 FOOT LADDER ASSEMBLY STEP 4





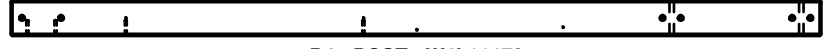
(1) M2 - WALL RAIL - W4L09088
5/8"x3 3/8"x90 1/8" (16x86x2288)



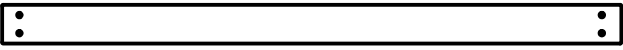
(1) G1 - GROUND BOARD - W4L09084
1"x5 1/4"x90 1/8" (24x134x2288)



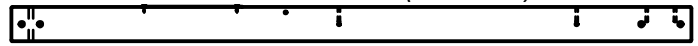
(1) H7 - FLOOR SUPPORT - W4L09069
1"x3 3/8"x53 3/4" (24x86x1366)



(1) B4 - POST - W4L11179
3"x3"x70 3/8" (76x76x1786)



(1) H5 - FLOOR SUPPORT - W4L09073
1"x3 3/8"x53 3/4" (24x86x1366)

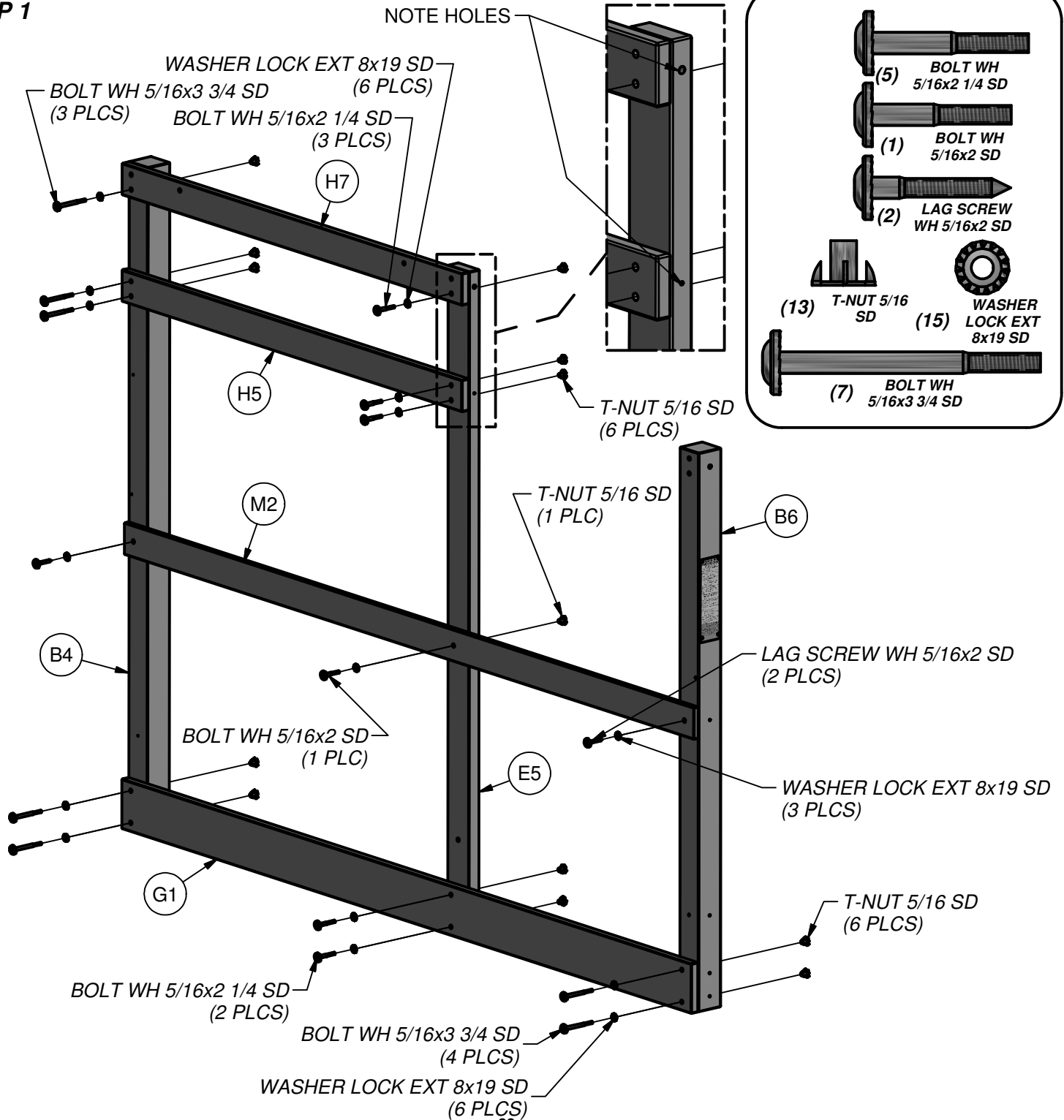


(1) B6 - POST - W2A02493
3"x3"x59" (76x76x1500)



(1) E5 - UPRIGHT - W4L11182
1 3/8"x3 3/8"x70 3/8" (36x86x1786)

STEP 1

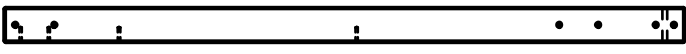




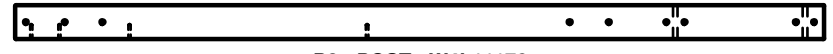
(1) **G1 - GROUND BOARD - W4L09084**
1"x5 1/4"x90 1/8" (24x134x2288)



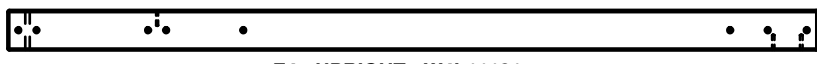
(1) **K1 - DOUBLE ARCHED RAIL - W4L09079**
5/8"x5 1/4"x90 1/8" (16x134x2288)



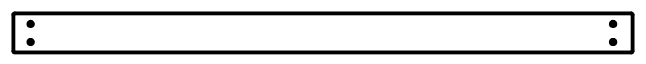
(1) **B5 - POST - W4L11180**
3"x3"x59" (76x76x1500)



(1) **B3 - POST - W4L11178**
3"x3"x70 3/8" (76x76x1786)

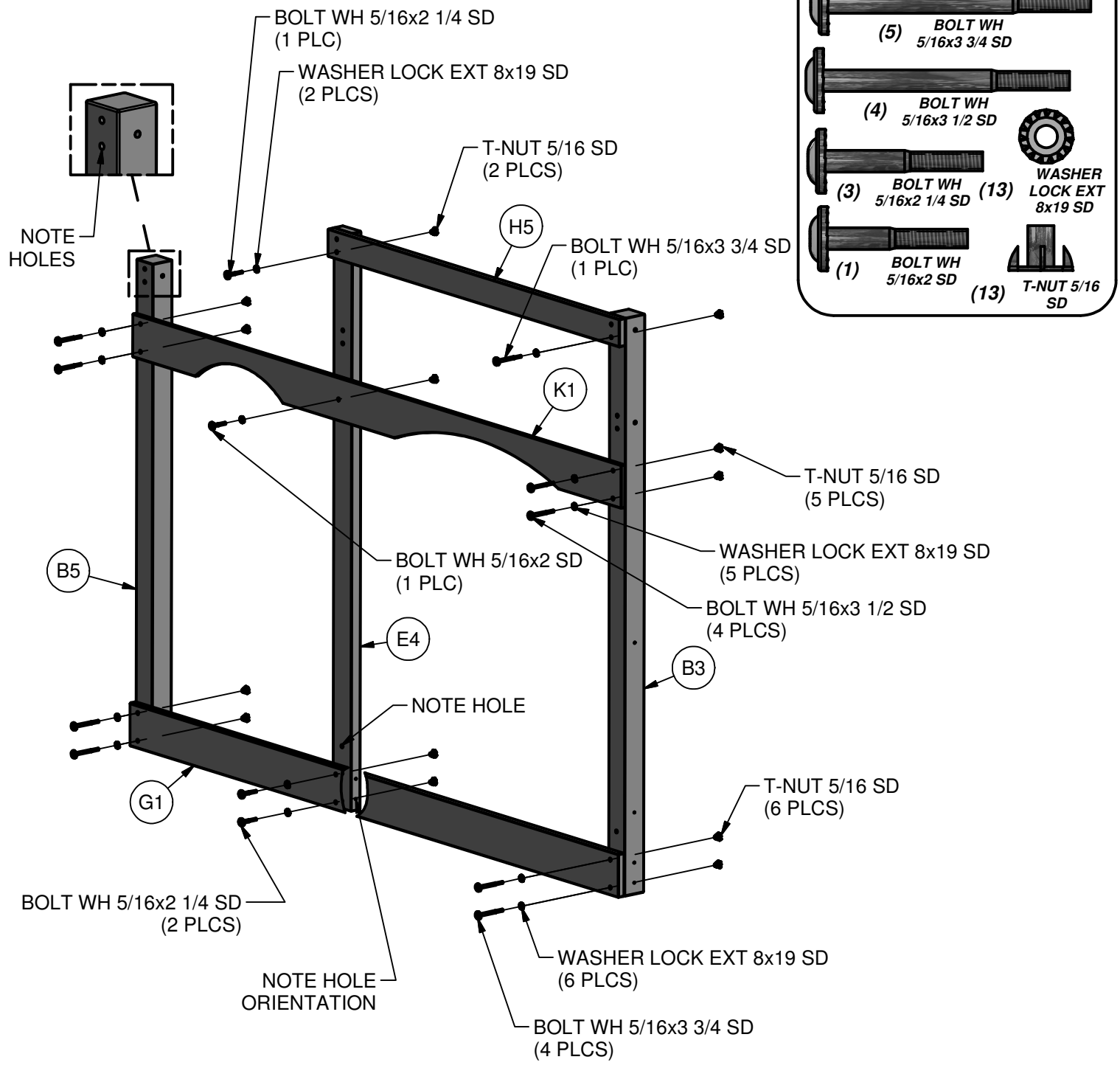


(1) **E4 - UPRIGHT - W4L11181**
1 3/8"x3 3/8"x70 3/8" (36x86x1786)



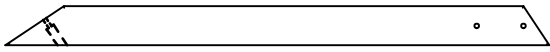
(1) **H5 - FLOOR SUPPORT - W4L09073**
1"x3 3/8"x53 3/4" (24x86x1366)

STEP 2



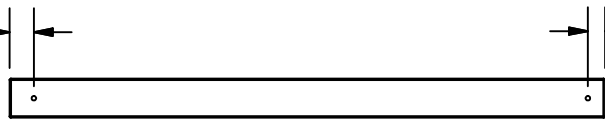


(1) **G4 - GROUND BOARD - W4L09086**
1"x5 1/4"x78 1/4" (24x134x1987)



(1) **H21 - ANGLE BRACE - W4L11112**
1"x3 3/8"x47 1/4" (24x86x1201)

54 mm
[2 1/8 in]



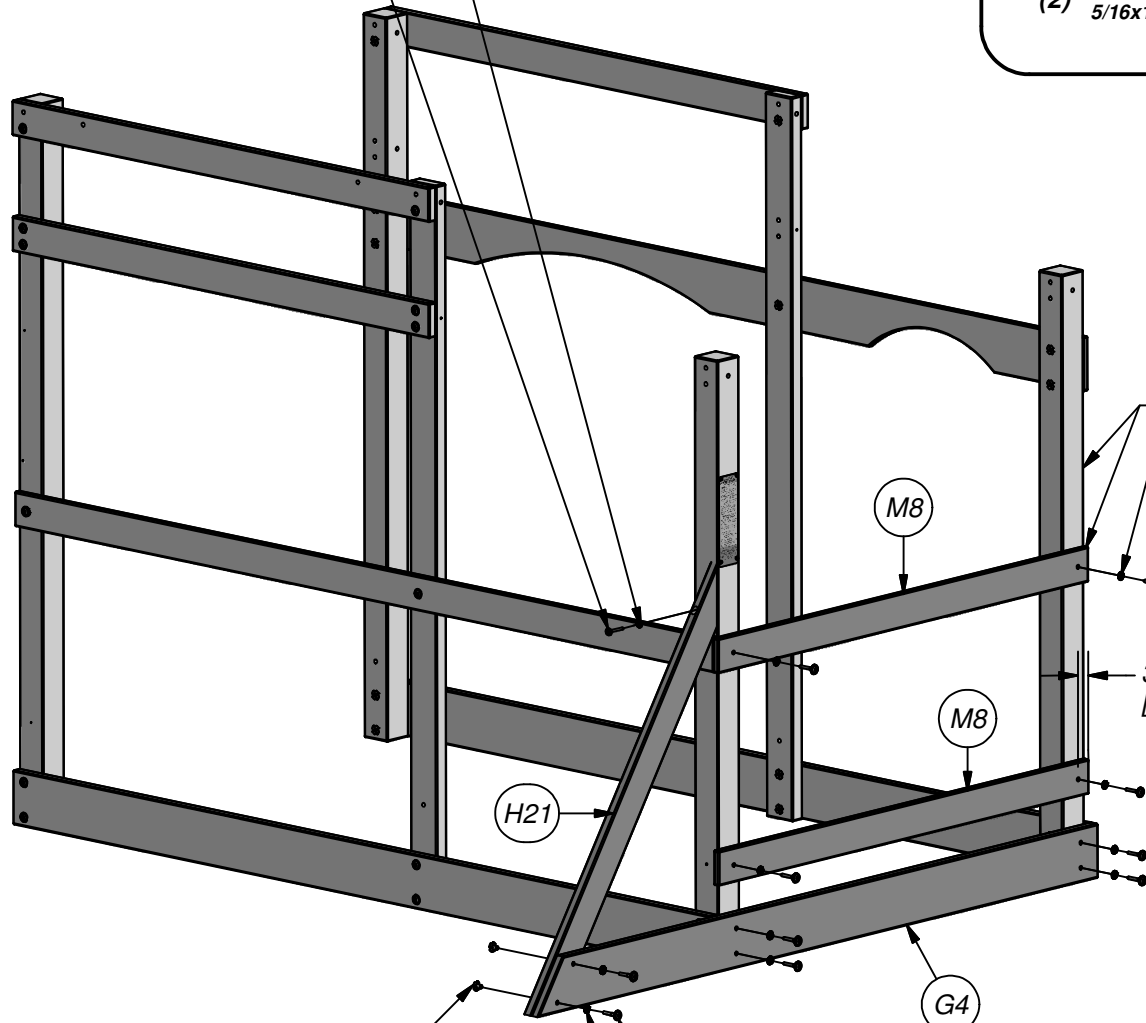
38 mm
[1 1/2 in]

(2) **M8 - WALL RAIL - W4L09085**
5/8"x3 3/8"x51 3/4" (16x86x1314)

STEP 3

WASHER LOCK EXT 6x15 SD
(1 PLC)

LAG SCREW WH 1/4x2 SD
(1 PLC)



	(8) LAG SCREW WH 5/16x2 SD		(10) WASHER LOCK EXT 8x19 SD
	(1) LAG SCREW WH 1/4x2 SD		(1) WASHER LOCK EXT 6x15 SD
	(2) BOLT WH 5/16x1 3/4 SD		(2) T-NUT 5/16 SD

FLUSH

WASHER LOCK EXT 8x19 SD
(8 PLCS)

LAG SCREW WH 5/16x2 SD
(8 PLCS)

38 mm
[1 1/2 in]

T-NUT 5/16 SD
(2 PLCS)

BOLT WH 5/16x1 3/4 SD
(2 PLCS)

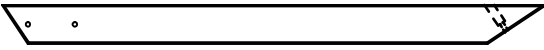
WASHER LOCK EXT 8x19 SD
(2 PLCS)



(1) M8 - WALL RAIL - W4L09085
5/8"x3 3/8"x51 3/4" (16x86x1314)



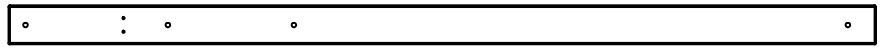
(1) H8 - FLOOR SUPPORT - W4L09064
1"x3 3/8"x53" (24x86x1346)



(1) H21 - ANGLE BRACE - W4L11112
1"x3 3/8"x47 1/4" (24x86x1201)

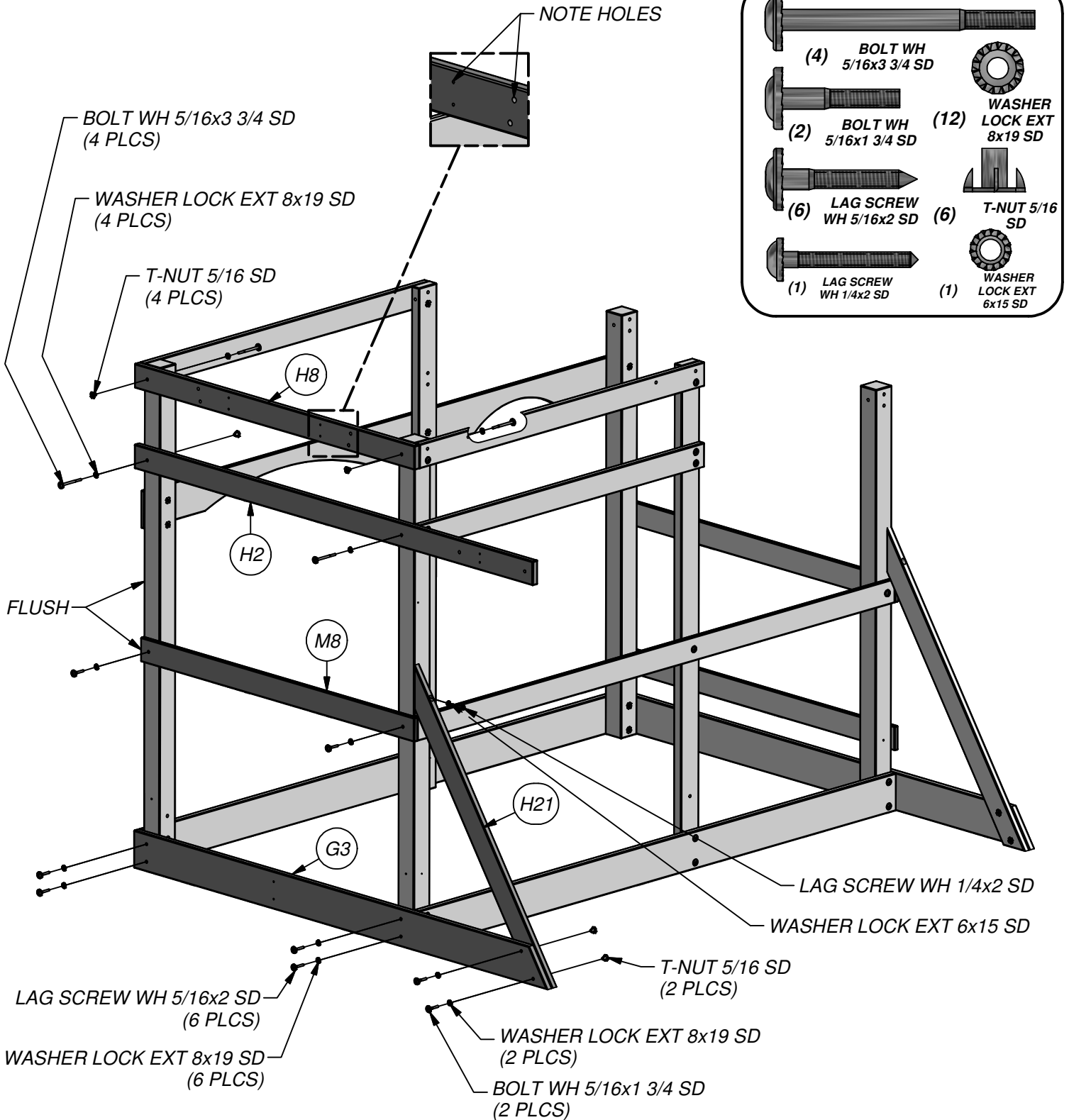


(1) G3 - GROUND BOARD - W4L09087
1"x5 1/4"x78 1/4" (24x134x1987)



(1) H2 - FLOOR SUPPORT - W4L09066
1"x3 3/8"x75 3/8" (24x86x1914)

STEP 4



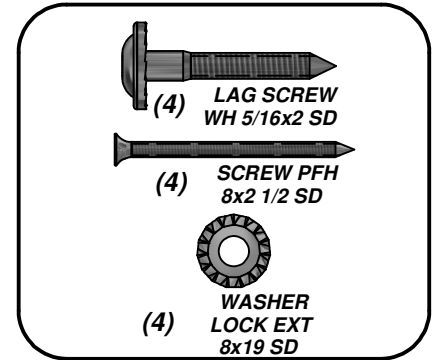


(1) **G6 - FLOOR JOIST - W4L11188**
1"x5 1/4"x49 1/2" (24x134x1256)



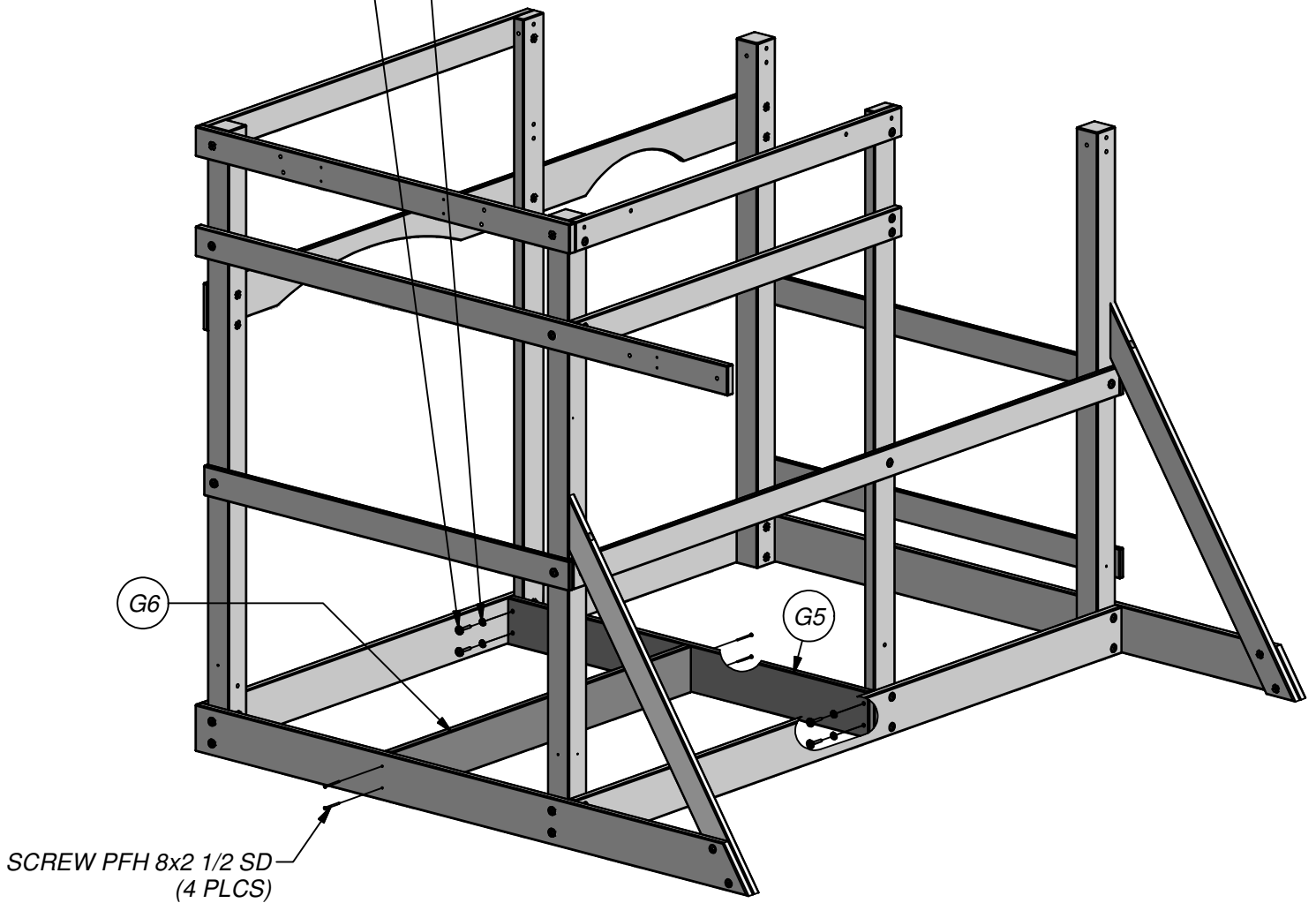
(1) **G5 - GROUND BOARD - W4L09089**
1"x5 1/4"x51 1/8" (24x134x1298)

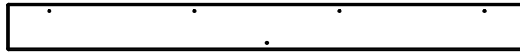
STEP 5



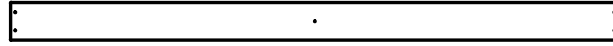
WASHER LOCK EXT 8x19 SD
(4 PLCS)

LAG SCREW WH 5/16x2 SD
(4 PLCS)



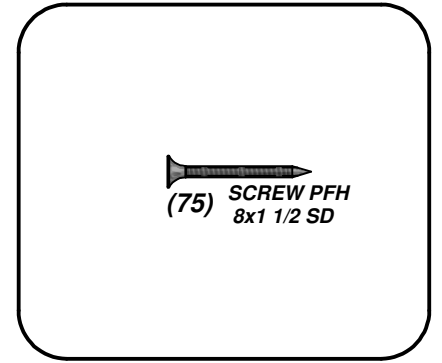


(1) **Y1 - FLOOR BOARD - W4L11239**
5/8"x4"x45 1/8" (16x102x1146)

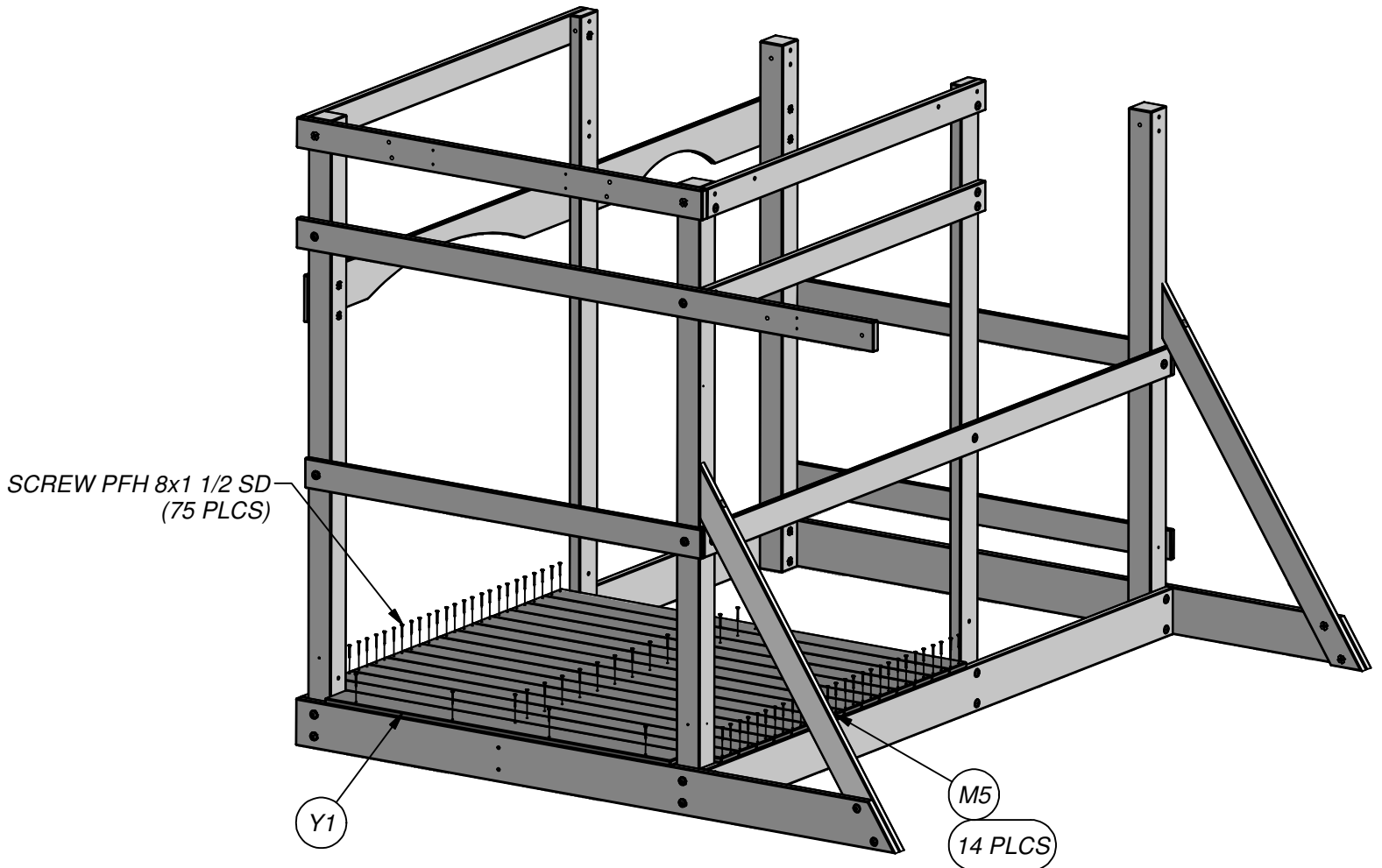


(14) **M5 - FLOOR BOARD - W4L11220**
5/8"x3 3/8"x53" (16x86x1346)

STEP 6



(75) **SCREW PFH**
8x1 1/2 SD



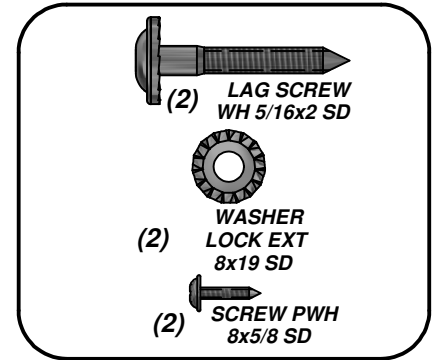


(1) **H4 - FLOOR SUPPORT - W4L11190**
1"x3 3/8"x74 3/8" (24x86x1890)

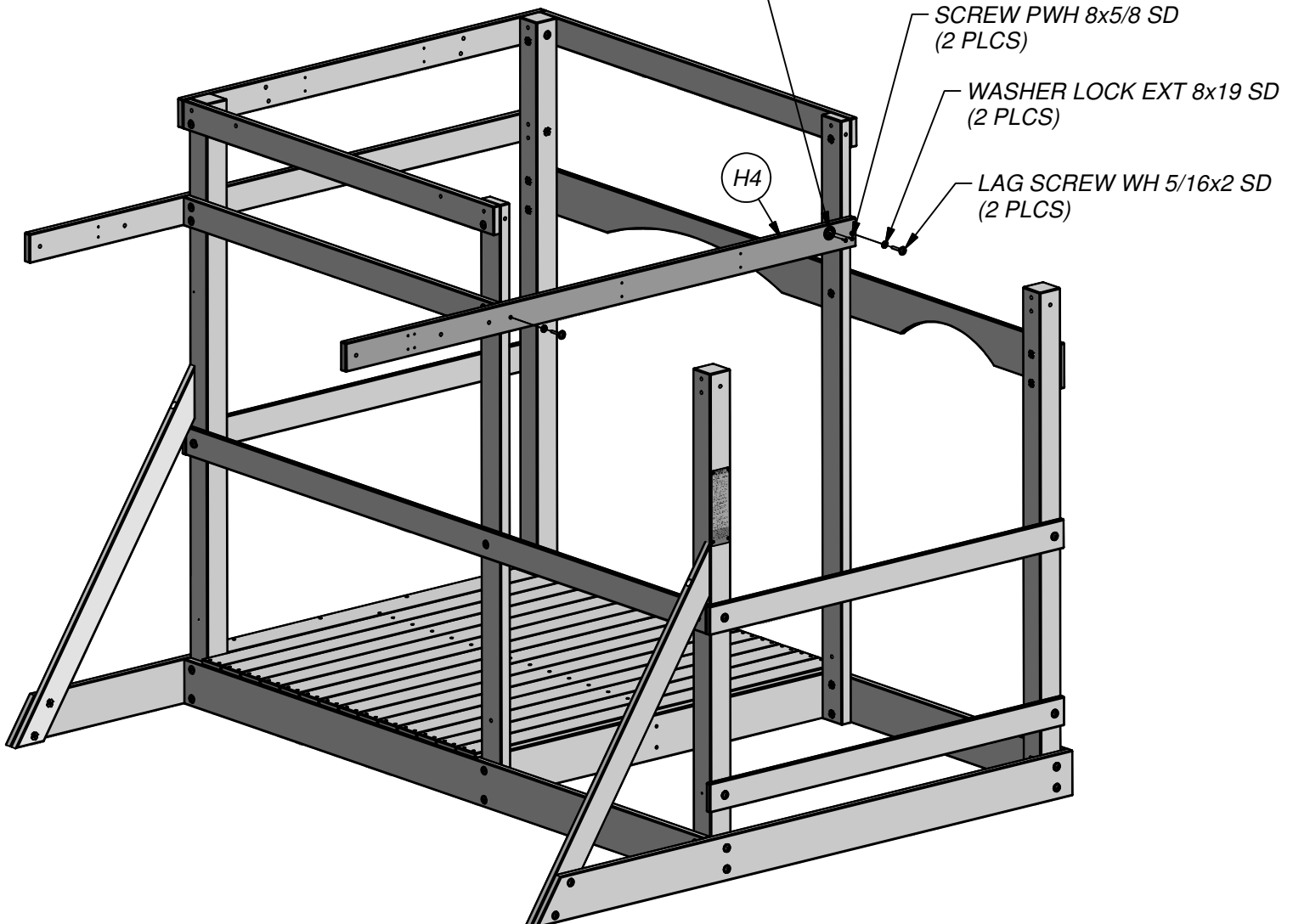


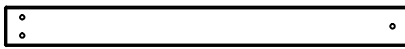
(1) - "A" REVISION TAG - A100314

STEP 7



"A" REVISION TAG
(1 PLC)



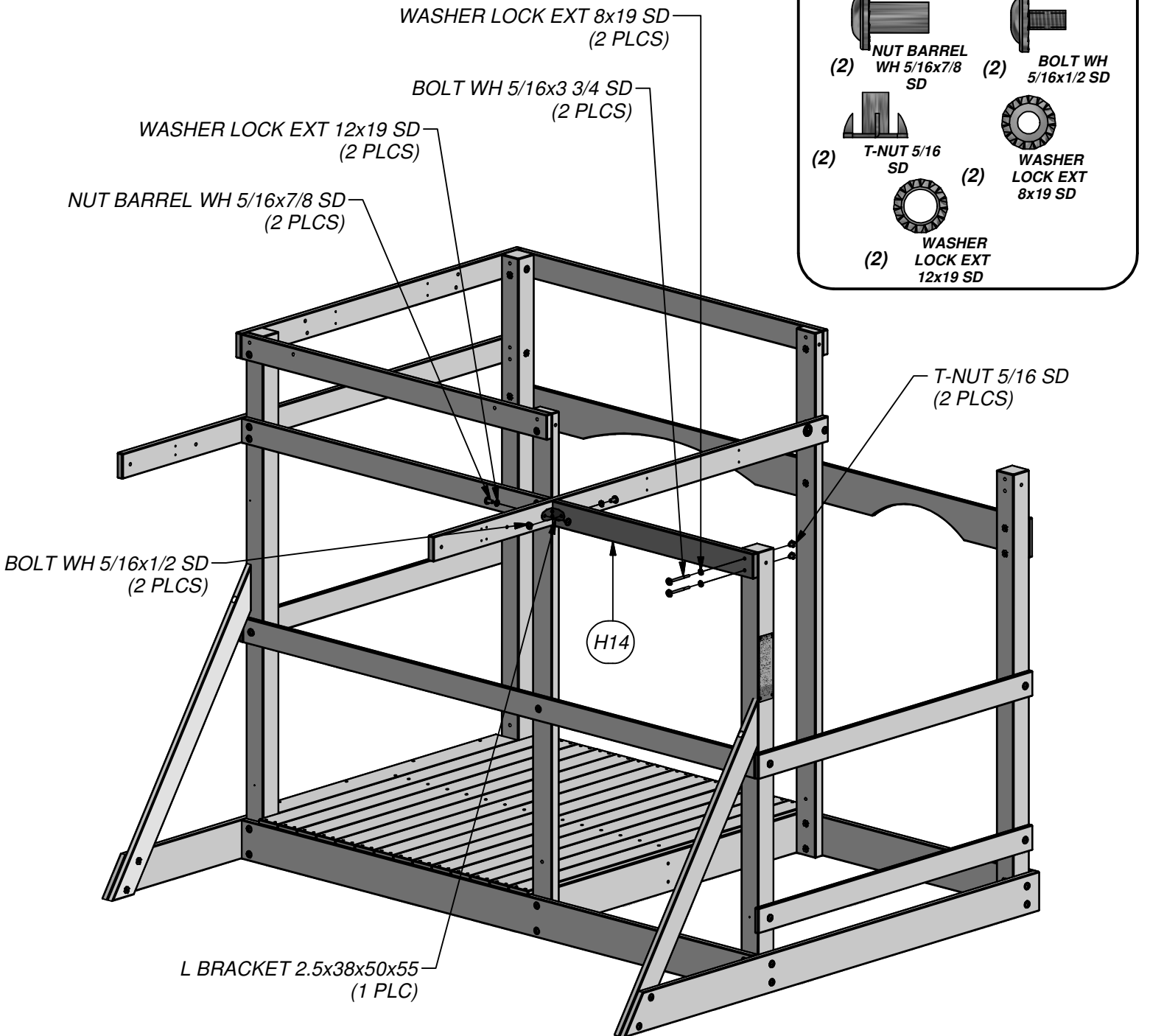


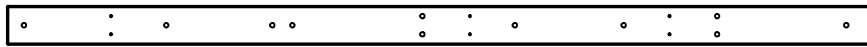
(1) **H14 - FLOOR SUPPORT - W4L11193**
 1"x3 3/8"x35 3/8" (24x86x898)



(1) **- L BRACKET 2.5x38x50x55 - A100340**

STEP 8



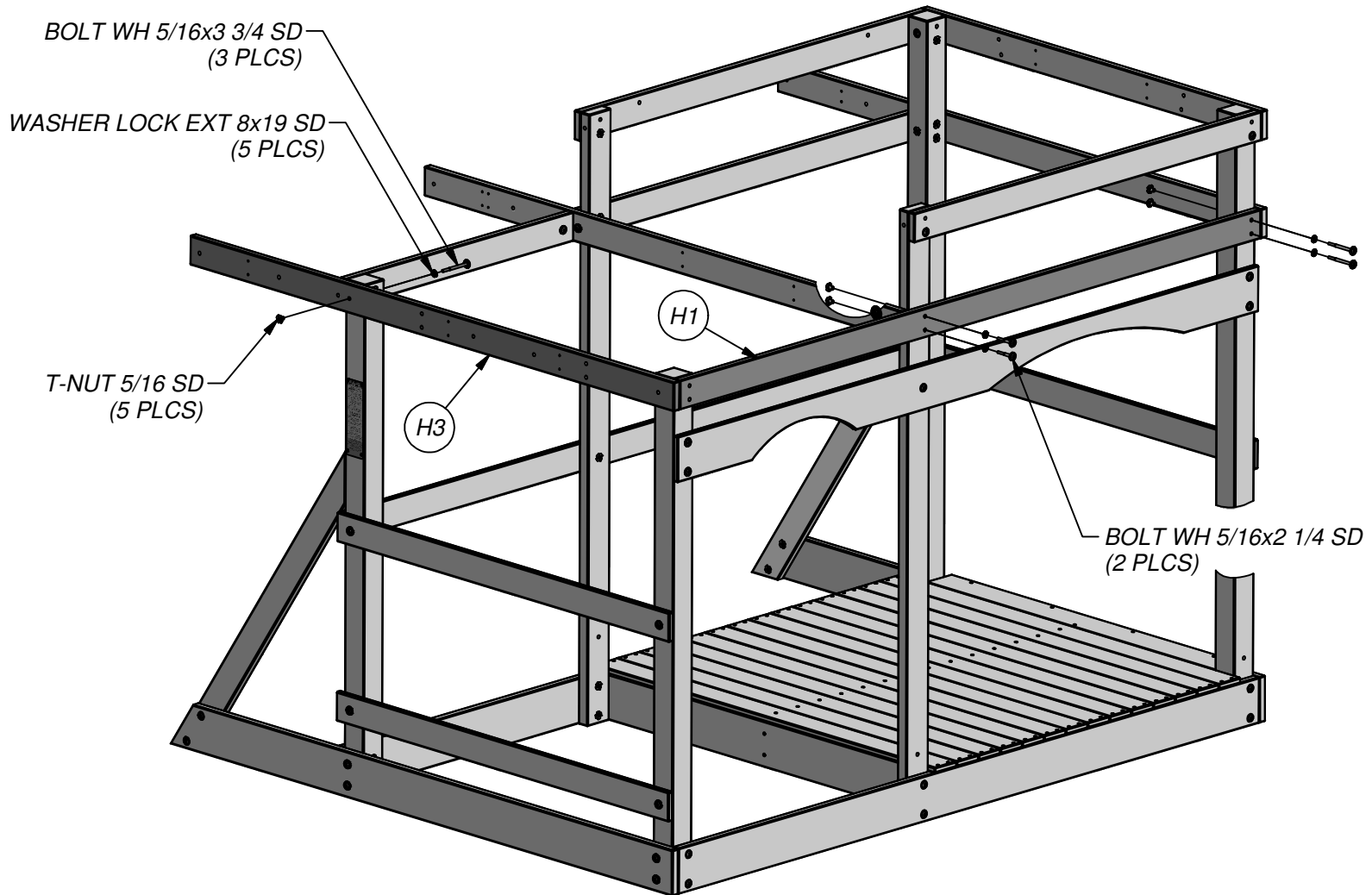
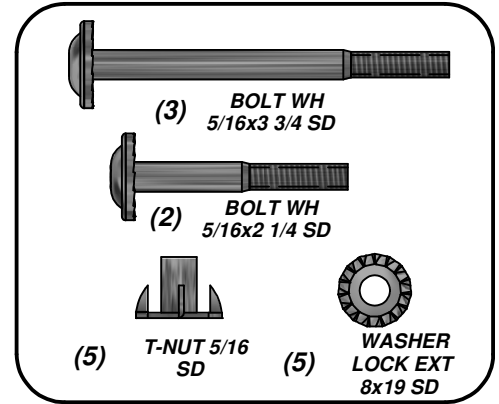


(1) **H3 - FLOOR SUPPORT - W4L09078**
1"x3 3/8"x75 3/8" (24x86x1914)



(1) **H1 - FLOOR SUPPORT - W4L09076**
1"x3 3/8"x90 1/8" (24x86x2288)

STEP 9



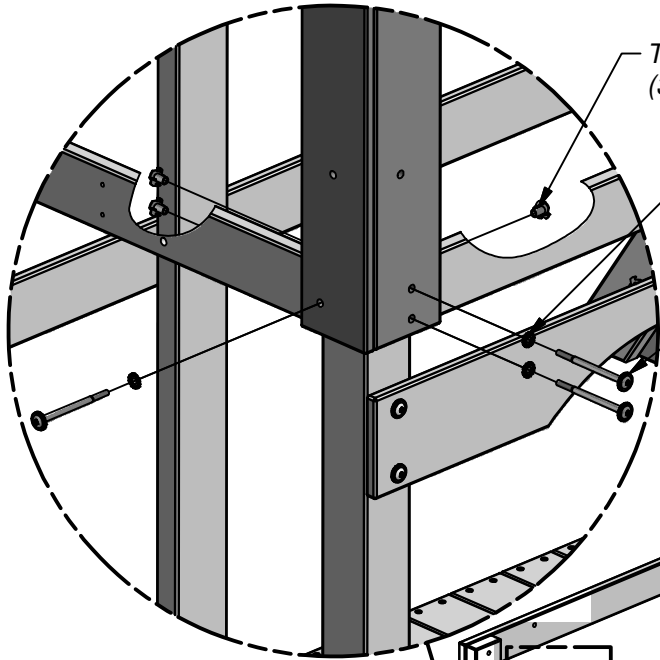
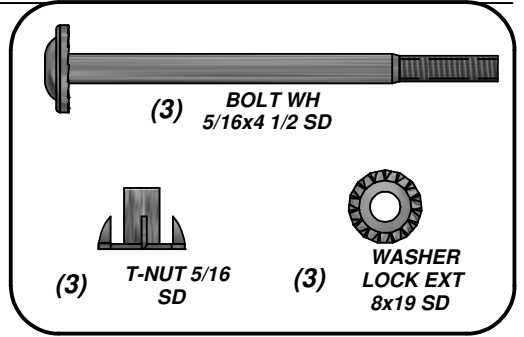


(1) **L12 - CORNER BOARD - W4L11218**
5/8"x4 3/8"x41 1/2" (16x112x1055)



(1) **L7 - CORNER BOARD - W4L11213**
5/8"x4 3/8"x31" (16x112x788)

STEP 10

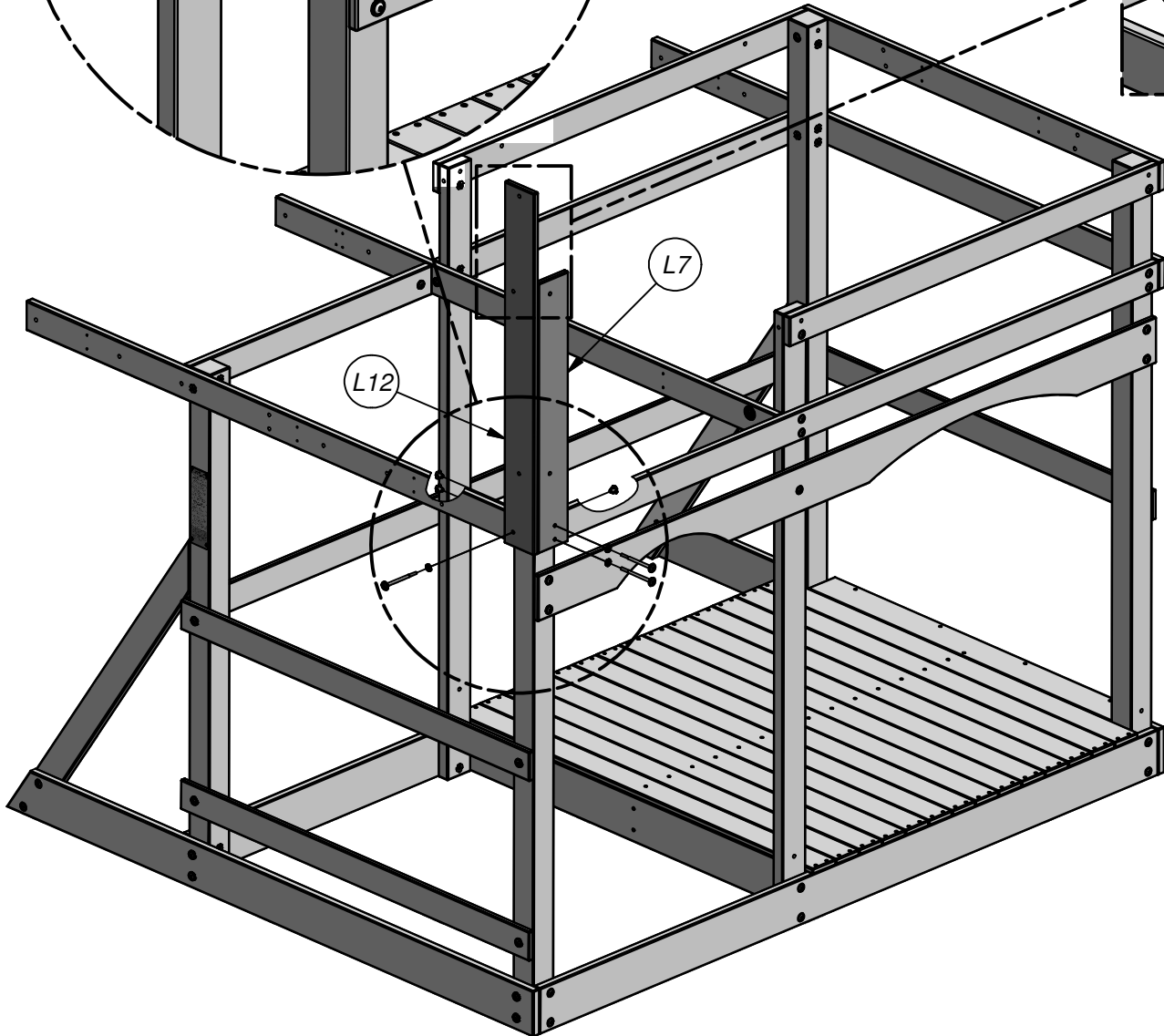
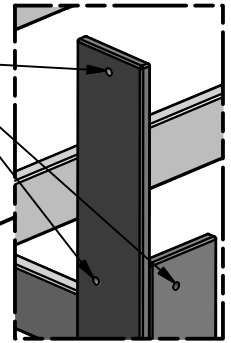


T-NUT 5/16 SD
(3 PLCS)

WASHER LOCK EXT 8x19 SD
(3 PLCS)

BOLT WH 5/16x4 1/2 SD
(3 PLCS)

NOTE HOLES

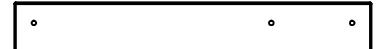


L12

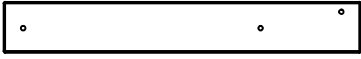
L7



(1) E1 - FLOOR SUPPORT - W4L09077
1 3/8"x3 3/8"x92" (36x86x2336)



(1) L8 - CORNER BOARD - W4L11214
5/8"x4 3/8"x31" (16x112x788)



(2) L9 - CORNER BOARD - W4L11215
5/8"x4 3/8"x31" (16x112x788)



(1) L6 - CORNER BOARD - W4L11111
5/8"x4 3/8"x31" (16x112x788)

**THIS HOLE
TOWARDS
BOTTOM**

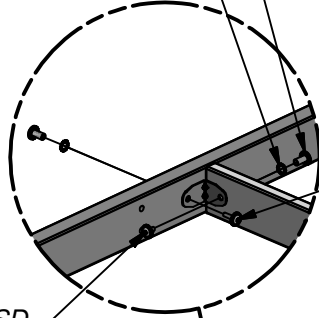


(3) - L BRACKET 2.5x38x50x55 - A100340

STEP 11

NUT BARREL WH 5/16x7/8 SD
(2 PLCS)

WASHER LOCK EXT 12x19 SD
(2 PLCS)



BOLT WH 5/16x1 SD
(1 PLC)

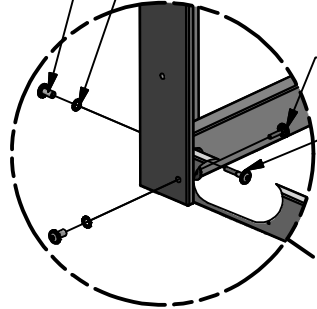
BOLT WH 5/16x1/2 SD
(1 PLC)

NUT BARREL WH 5/16x7/8 SD
(2 PLCS)

WASHER LOCK EXT 12x19 SD
(2 PLCS)

BOLT WH 5/16x1 1/4 SD
(1 PLC)

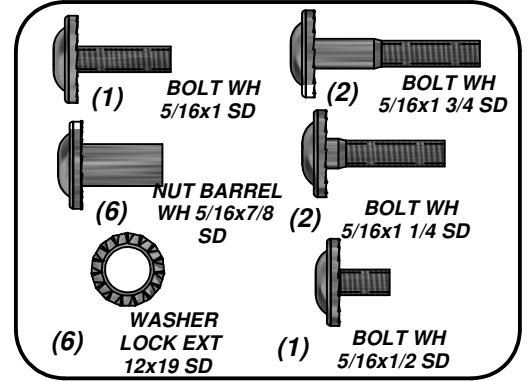
BOLT WH 5/16x1 3/4 SD
(1 PLC)



WASHER LOCK EXT 12x19 SD
(2 PLCS)

NUT BARREL WH 5/16x7/8 SD
(2 PLCS)

BOLT WH 5/16x1 1/4 SD
(1 PLC)



(1) BOLT WH 5/16x1 SD

(2) BOLT WH 5/16x1 3/4 SD

(6) NUT BARREL WH 5/16x7/8 SD

(2) BOLT WH 5/16x1 1/4 SD

(6) WASHER LOCK EXT 12x19 SD

(1) BOLT WH 5/16x1/2 SD

L8

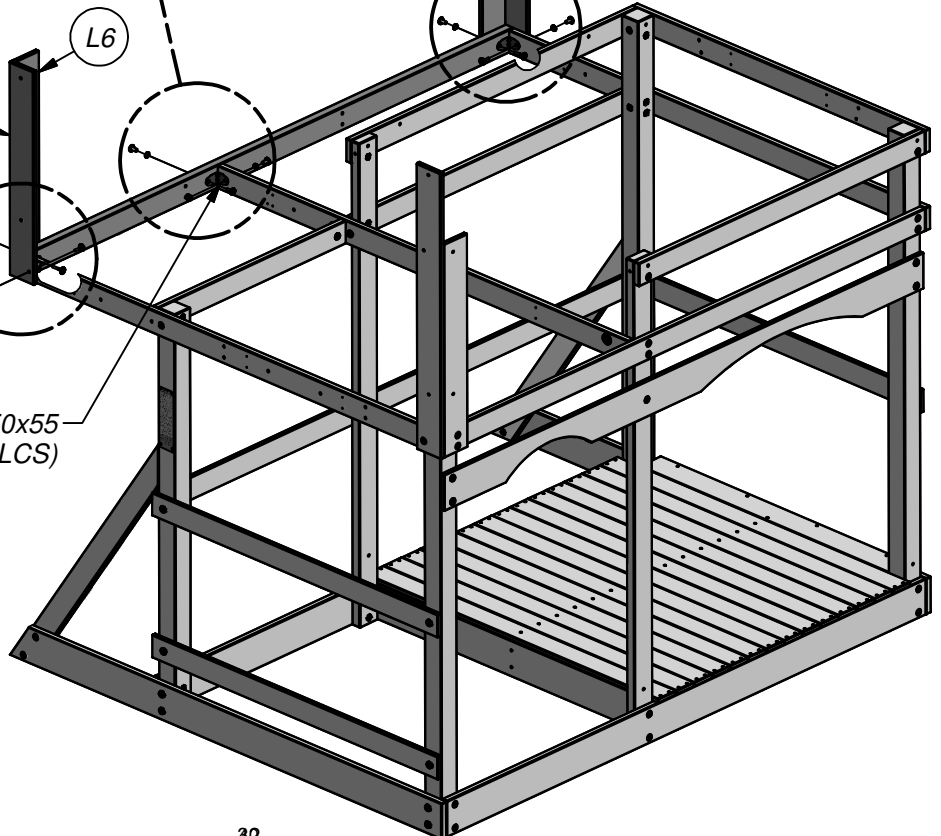
L9

BOLT WH 5/16x1 3/4 SD
(1 PLC)

L6

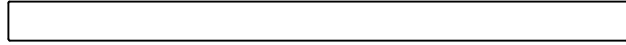
L9

L BRACKET 2.5x38x50x55
(3 PLCS)



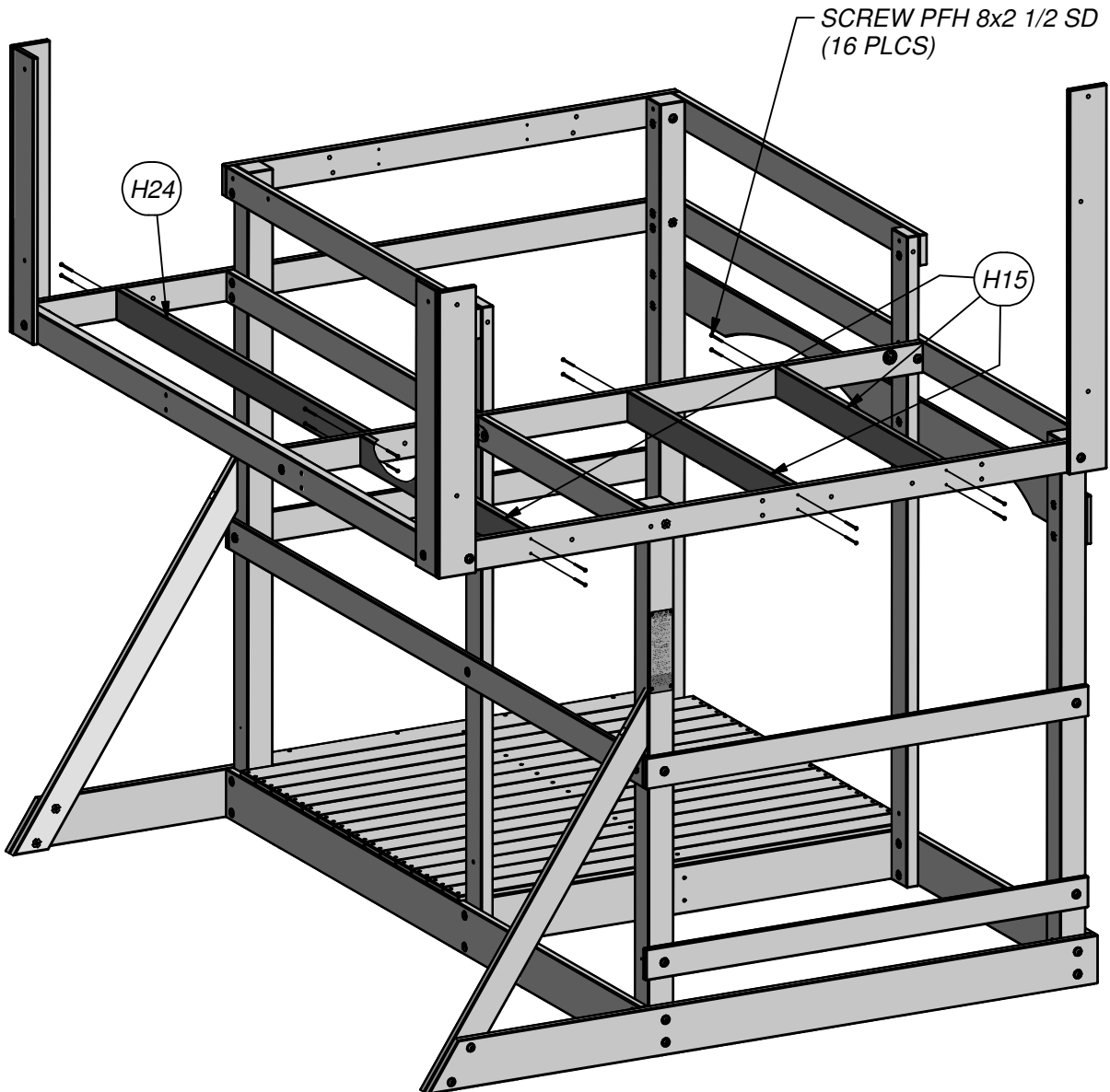
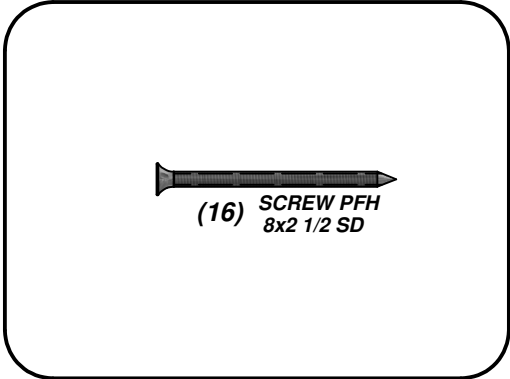


(3) **H15 - FLOOR JOIST - W4L11194**
1"x3 3/8"x35 3/8" (24x86x898)



(1) **H24 - FLOOR JOIST - W4L11451**
1"x3 3/8"x53 3/4" (24x86x1366)

STEP 12

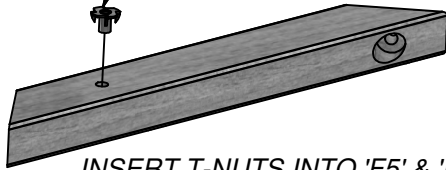


(3) **F5 - BRACE - W4L1187**
 1 3/8"x2 3/8"x18 1/8" (36x60x460)

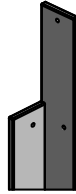
(2) **F6 - BRACE - W4L11632**
 1 3/8"x2 3/8"x18 1/8" (36x60x460)

STEP 13

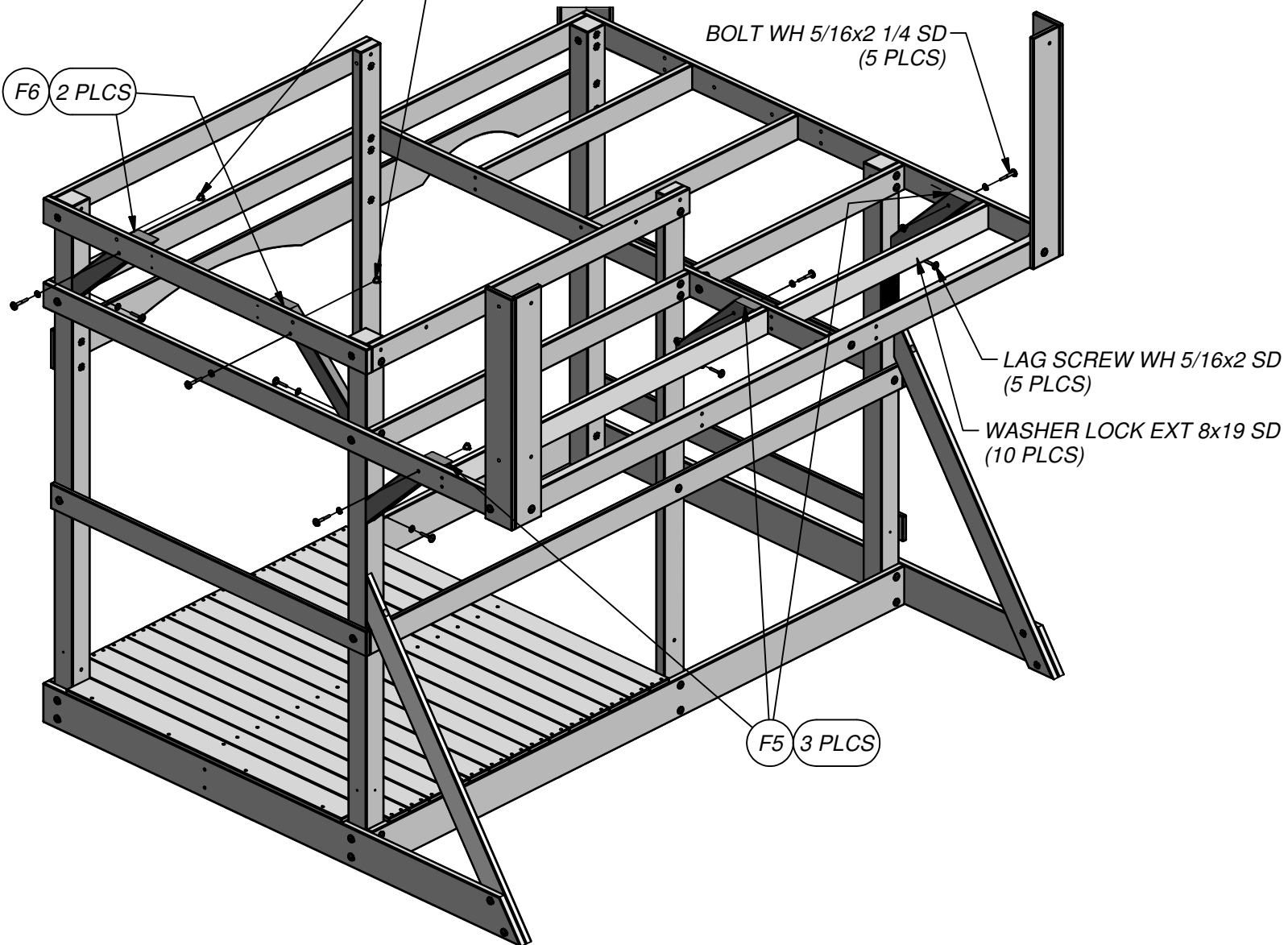
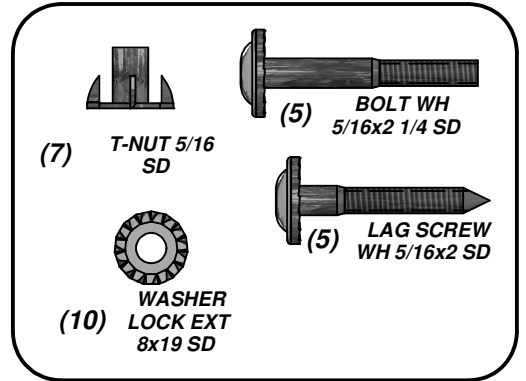
T-NUT 5/16 SD
 (5 PLCS)

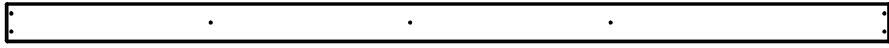


INSERT T-NUTS INTO 'F5' & 'F6'
 BRACE BEFORE INSTALLING.



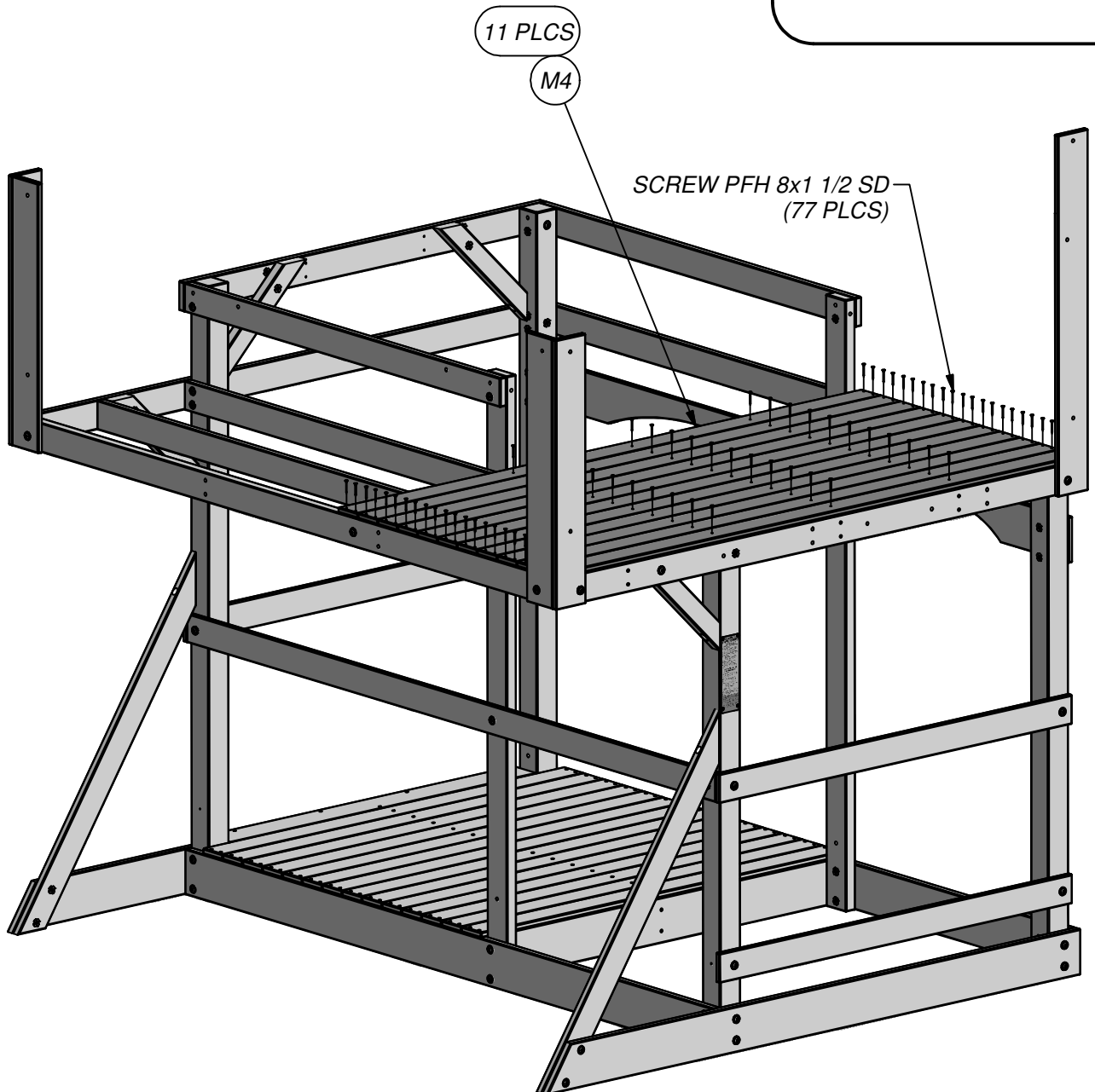
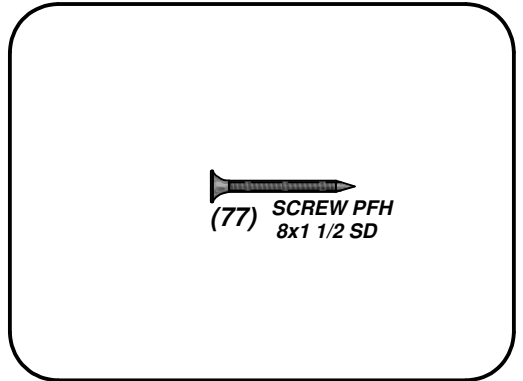
T-NUT 5/16 SD
 (2 PLCS)
 INSTALL THESE BEFORE
 INSTALLING BRACES.

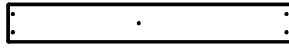




(11) M4 - FLOOR BOARD - W4L11219
5/8"x3 3/8"x76 3/4" (16x86x1950)

STEP 14





(16) **M18 - FLOOR BOARD - W4L11228**
5/8"x3 3/8"x24 3/4" (16x86x628)

STEP 15


SCREW PFH 8x1 1/2 SD
(79 PLCS)

SCREW PFH 8x1 1/4 SD
(1 PLC)


16 PLCS

M18

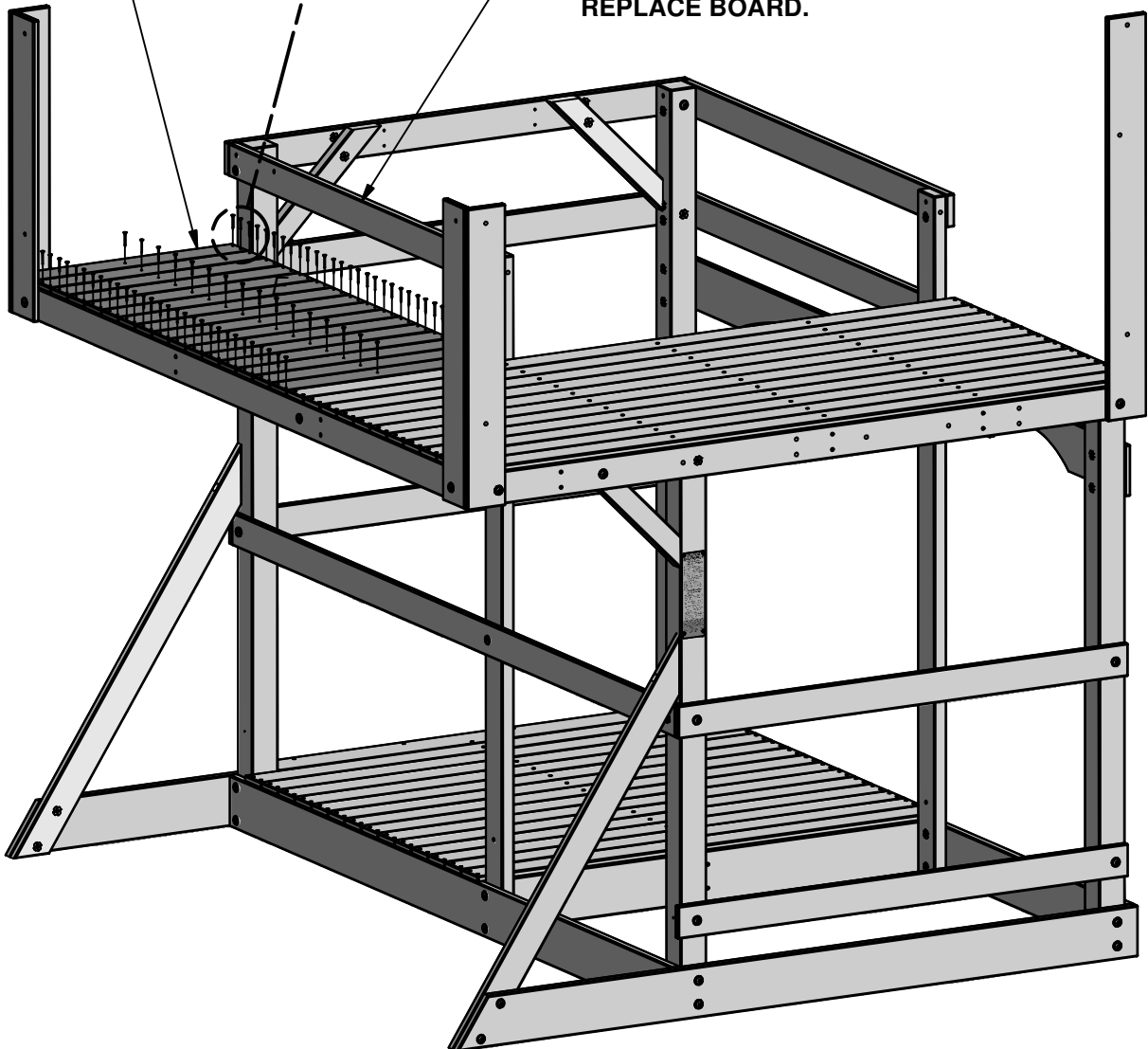
NOTE: YOU WILL NEED TO REMOVE THIS BOARD TO ACCESS 'M18' SCREW HOLES. INSERT SCREWS THEN REPLACE BOARD.



(79) SCREW PFH
8x1 1/2 SD



(1) SCREW PFH
8x1 1/4 SD



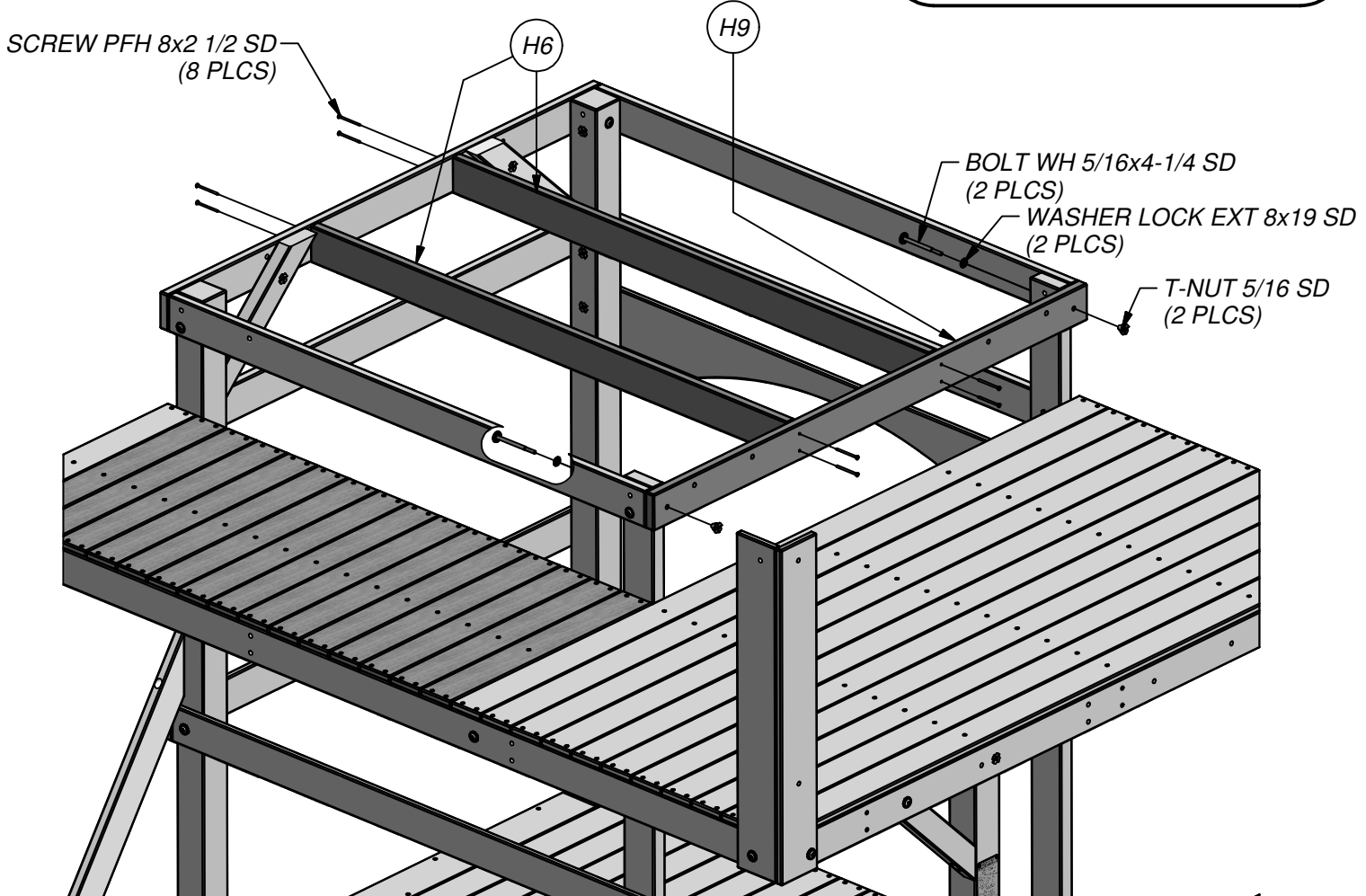
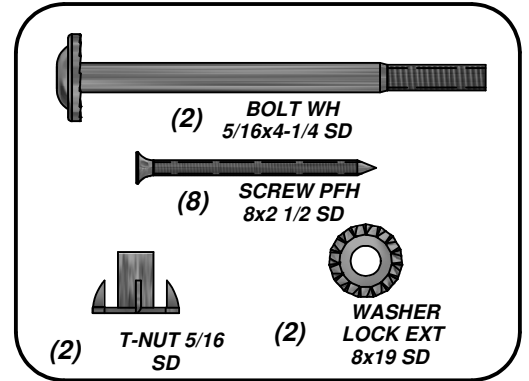


(1) **H9 - FLOOR SUPPORT - W4L09072**
1"x3 3/8"x53" (24x86x1346)



(2) **H6 - FLOOR JOIST - W4L11191**
1"x3 3/8"x53 3/4" (24x86x1366)

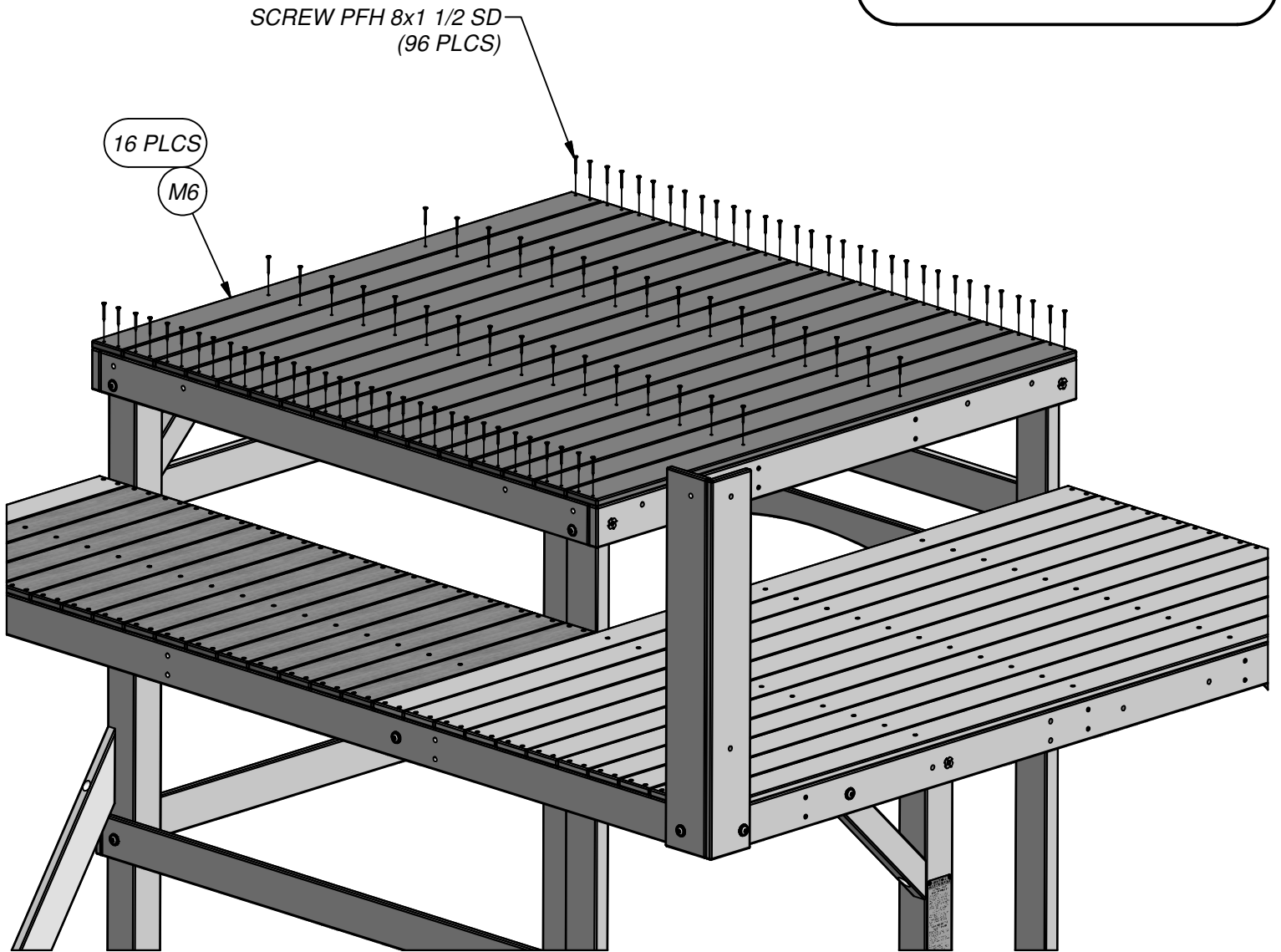
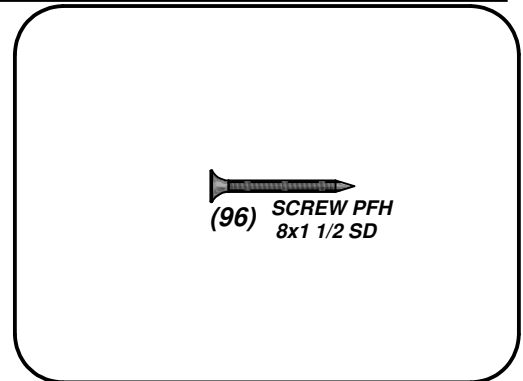
STEP 16





(16) M6 - FLOOR BOARD - W4L11221
5/8"x3 3/8"x53" (16x86x1346)

STEP 17



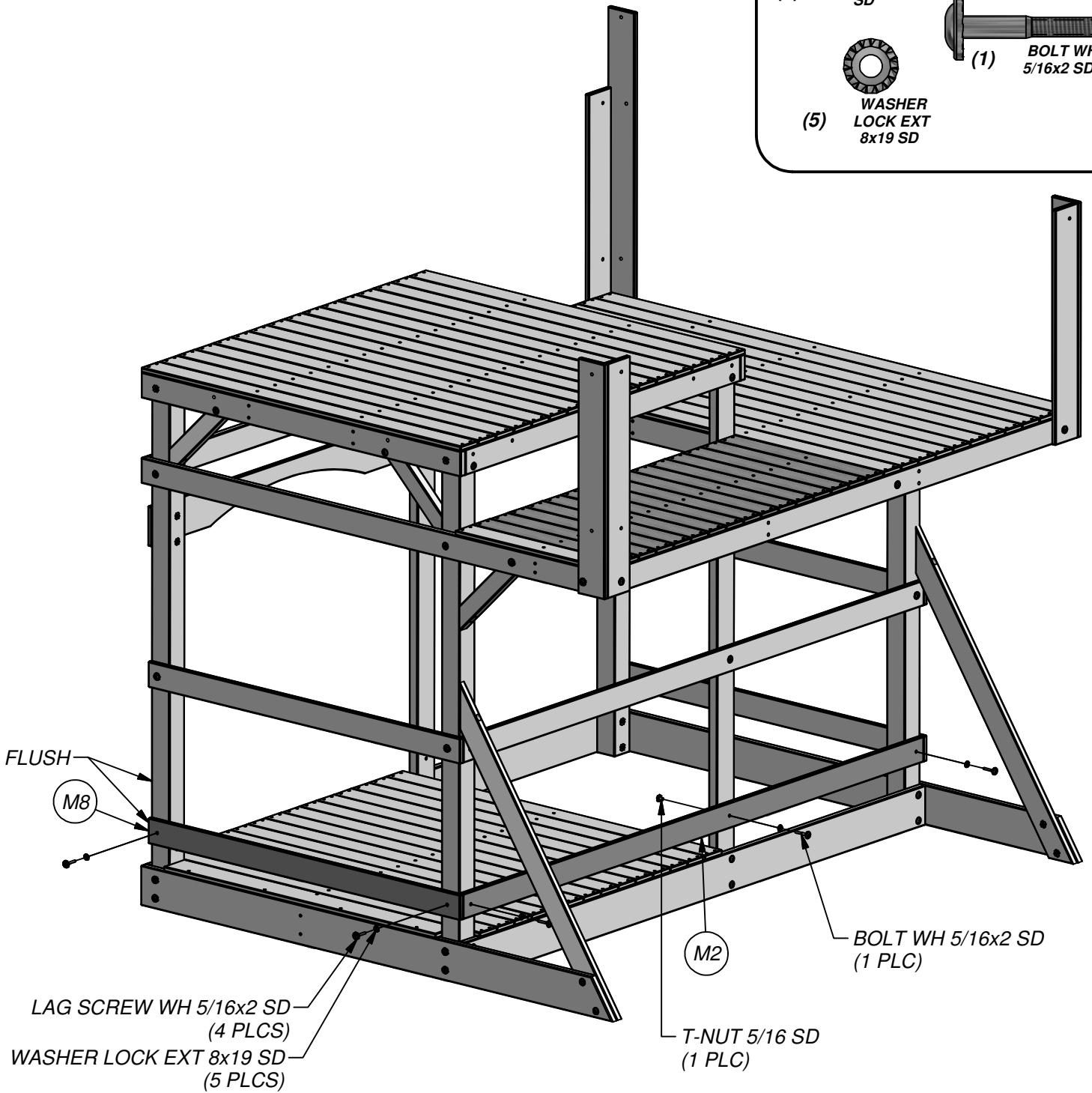
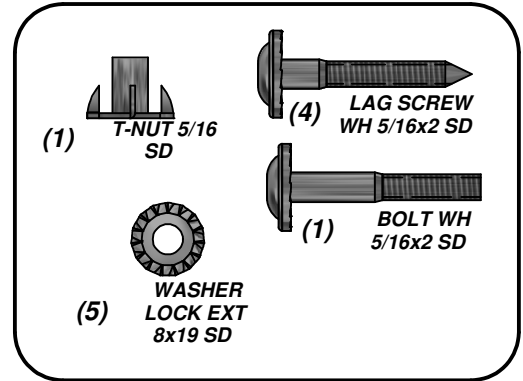


(1) **M8 - WALL RAIL - W4L09085**
5/8"x3 3/8"x51 3/4" (16x86x1314)



(1) **M2 - WALL RAIL - W4L09088**
5/8"x3 3/8"x90 1/8" (16x86x2288)

STEP 18





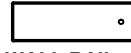
(2) **M10 - WALL BOARD - W4L11223**
5/8"x3 3/8"x41 1/8" (16x86x1044)



(2) **L4 - WALL BOARD - W4L11211**
5/8"x4 3/8"x41 1/8" (16x112x1044)



(1) **M27 - WALL RAIL - W4L09083**
5/8"x3 3/8"x10 3/4" (16x86x274)

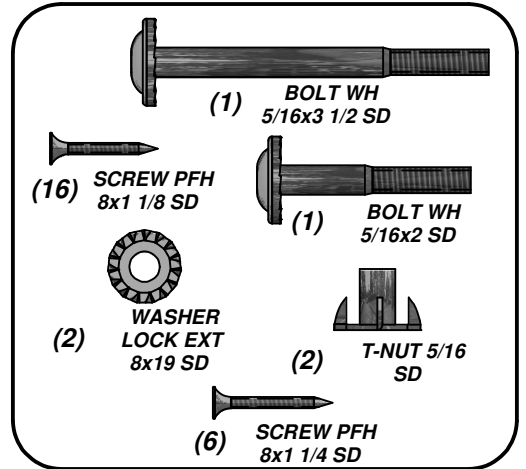
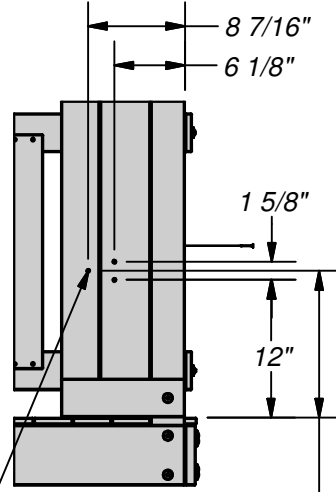
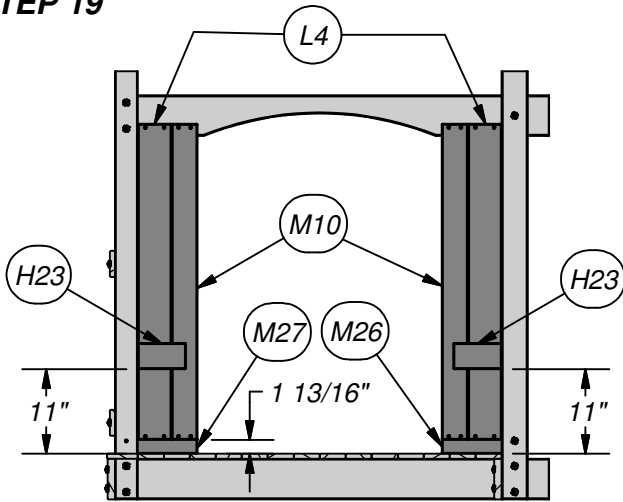


(1) **M26 - WALL RAIL - W4L09082**
5/8"x3 3/8"x11 1/8" (16x86x284)



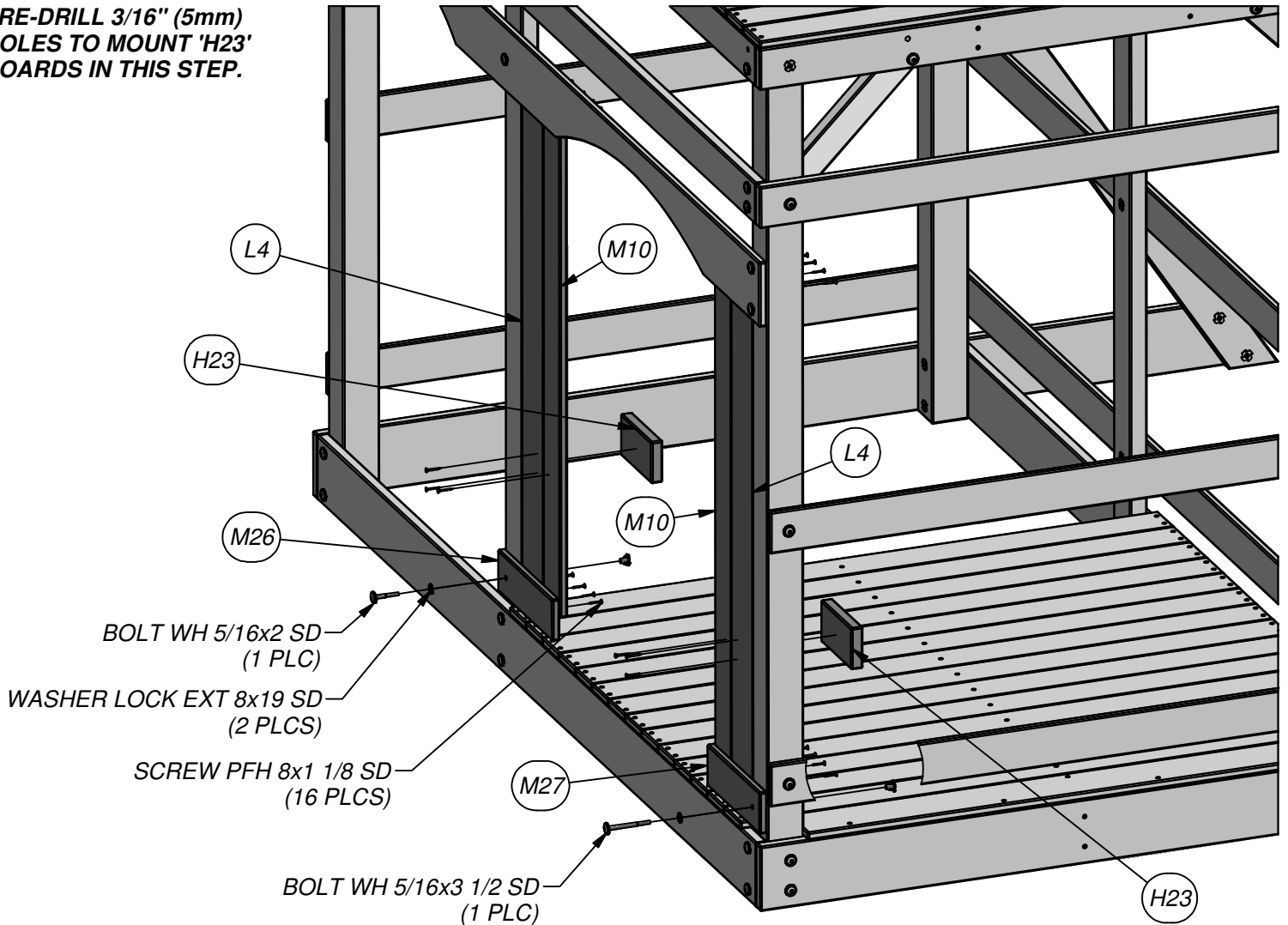
(2) **H23 - SUPPORT BOARD - W4L11452**
1"x3 3/8"x6 1/4" (24x86x160)

STEP 19



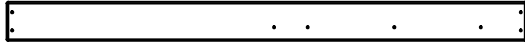
SCREW PFH 8x1 1/4 SD
(6 PLCS)

NOTE:
PRE-DRILL 3/16" (5mm)
HOLES TO MOUNT 'H23'
BOARDS IN THIS STEP.





(2) **L2 - WALL BOARD - W4L11209**
5/8"x4 3/8"x45 1/8" (16x112x1146)

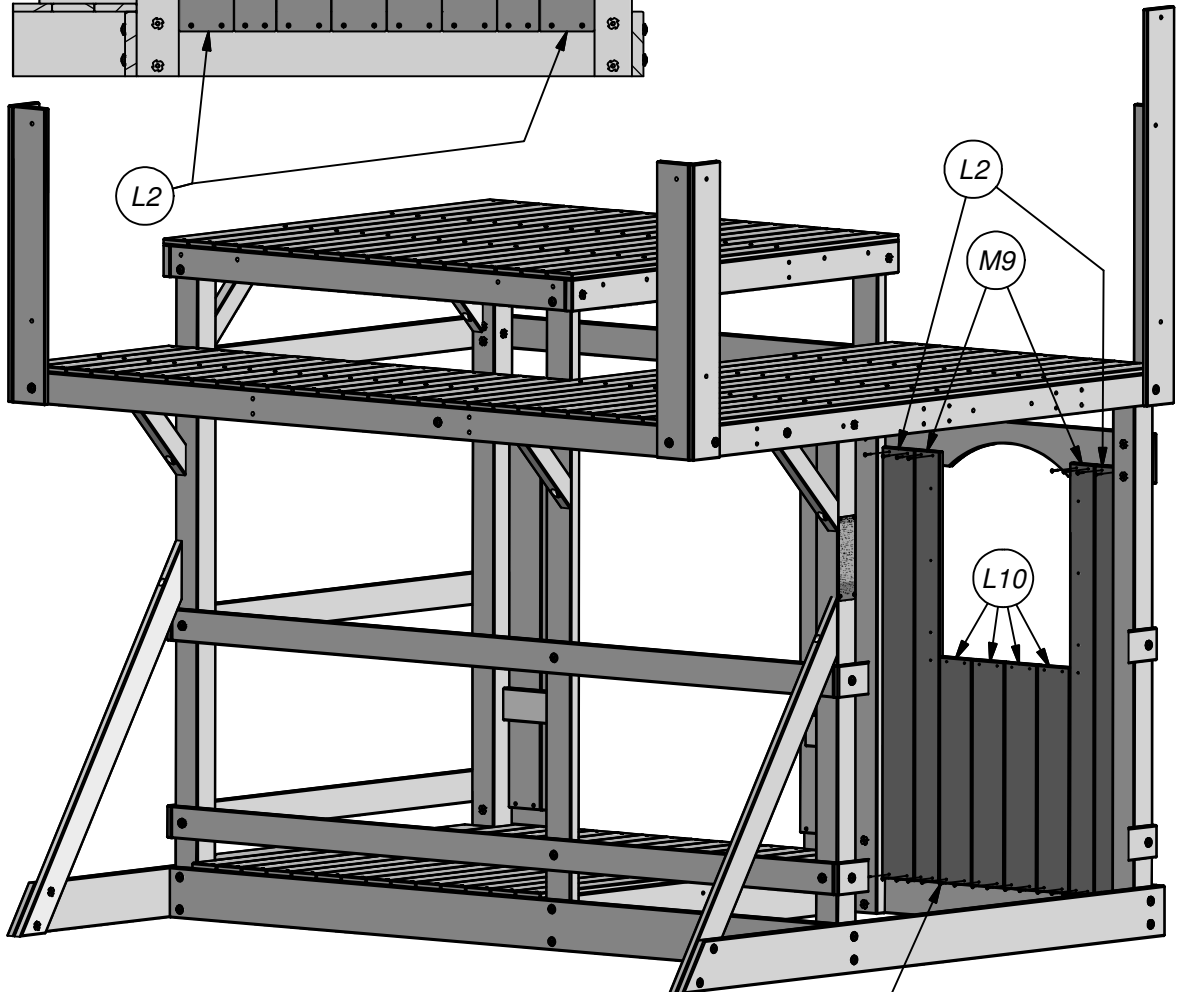
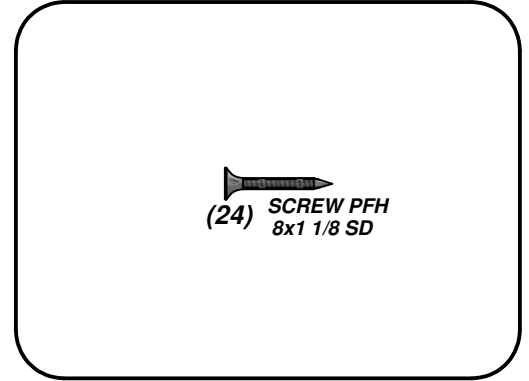
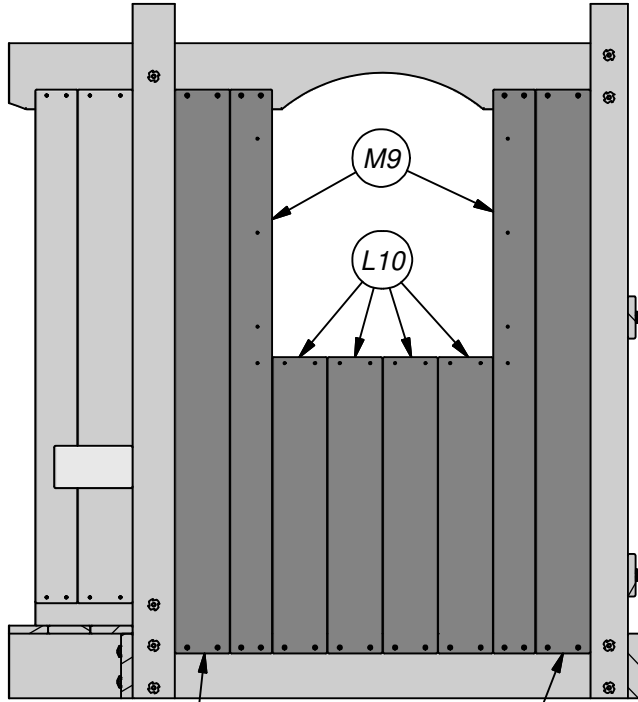


(2) **M9 - WALL BOARD - W4L11222**
5/8"x3 3/8"x45 1/8" (16x86x1146)



(4) **L10 - WALL BOARD - W4L11216**
5/8"x4 3/8"x23 3/4" (16x112x602)

STEP 20

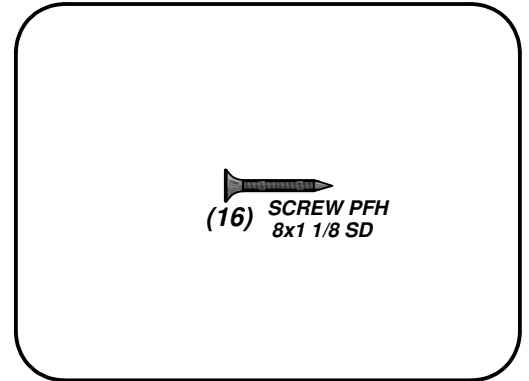
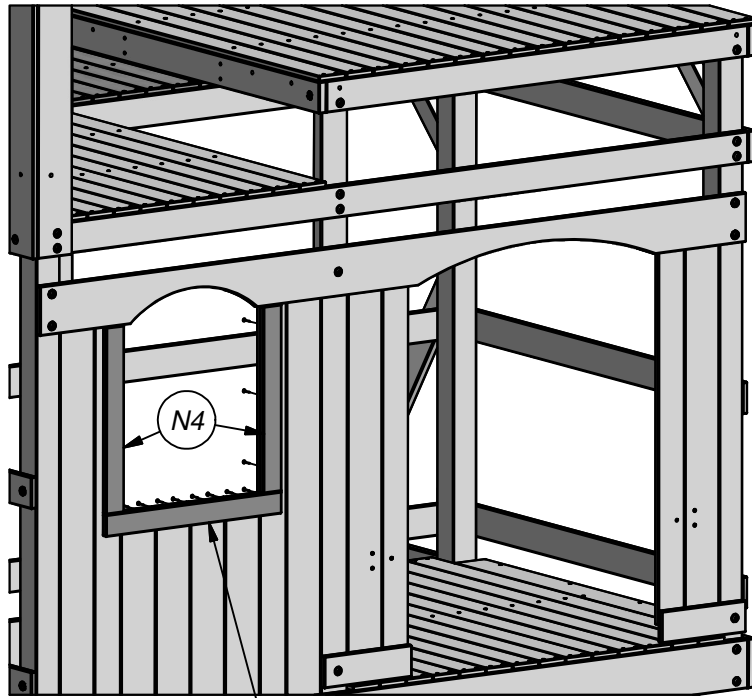


SCREW PFH 8x1 1/8 SD
(24 PLCS)

(2) **N4 - WINDOW TRIM - W4L09080**
5/8"x2 3/8"x19 7/8" (16x60x504)

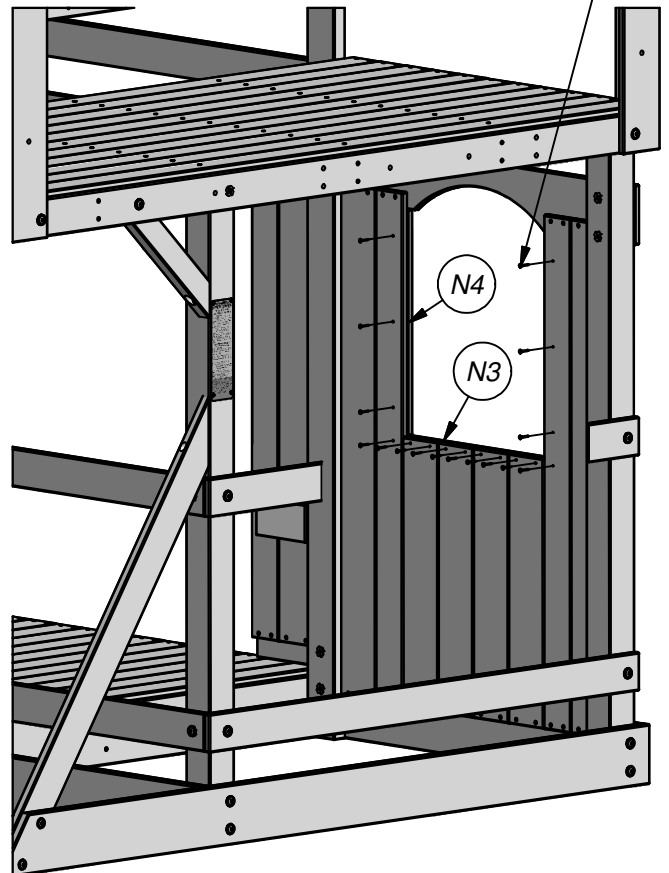
(1) **N3 - WINDOW TRIM - W4L09081**
5/8"x2 3/8"x22 1/2" (16x60x570)

STEP 21



N3

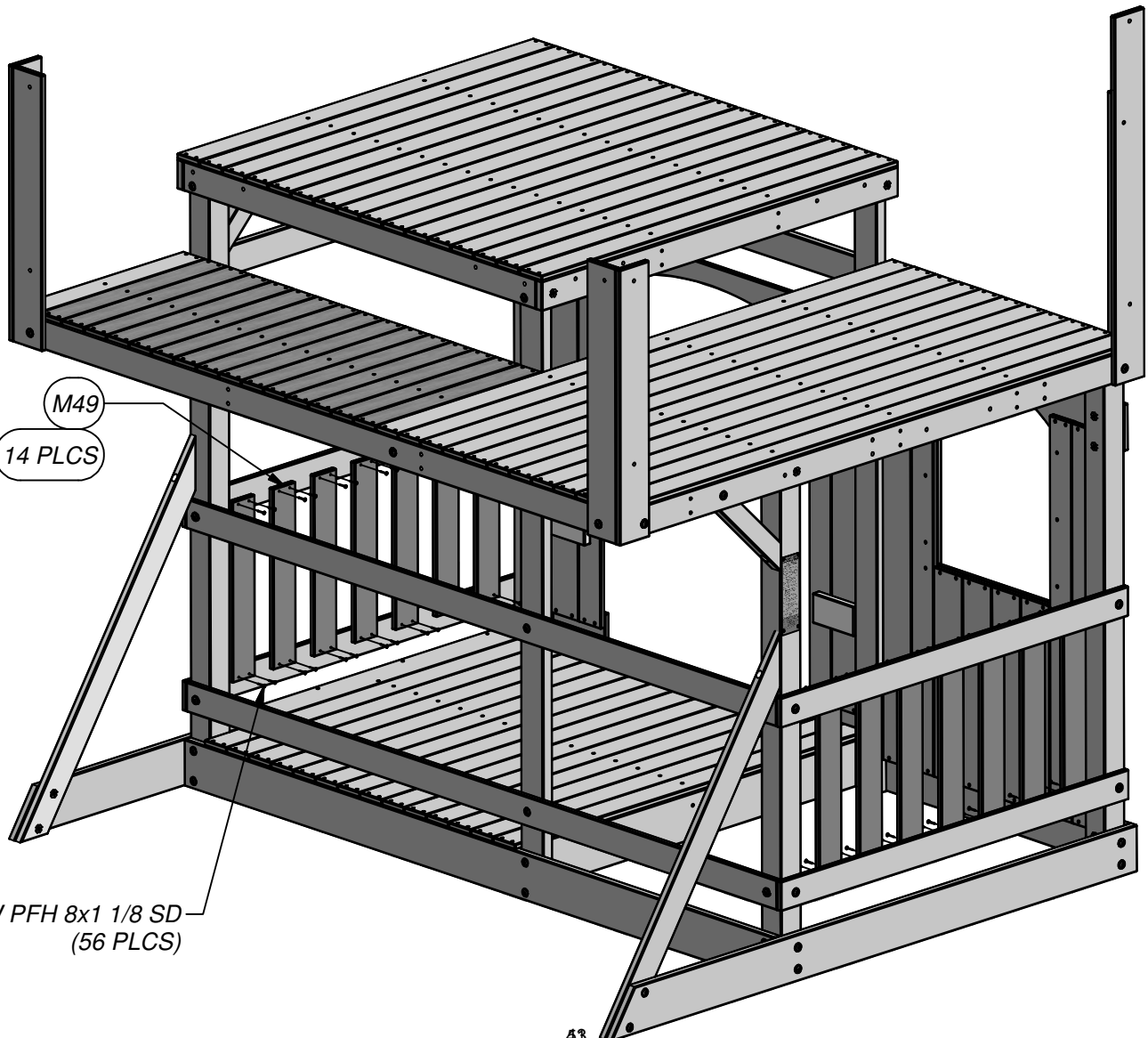
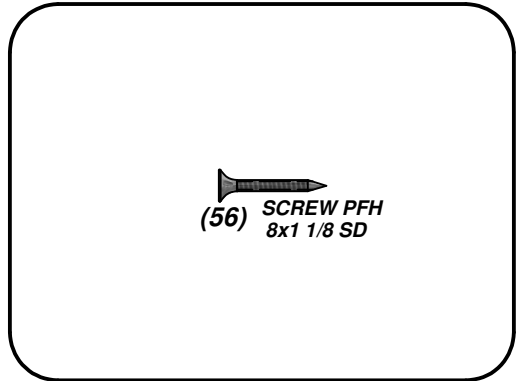
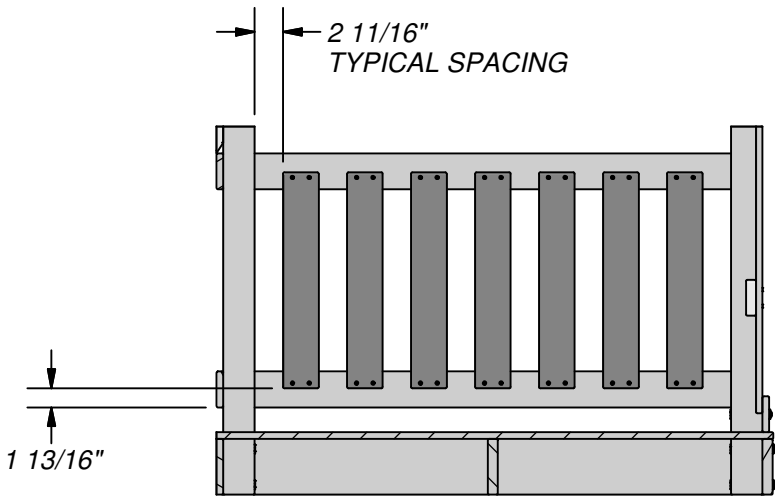
SCREW PFH 8x1 1/8 SD
(16 PLCS)





(14) **M49 - PICKET - 53 - W4L11234**
5/8"x3 3/8"x20 3/8" (16x86x518)

STEP 22



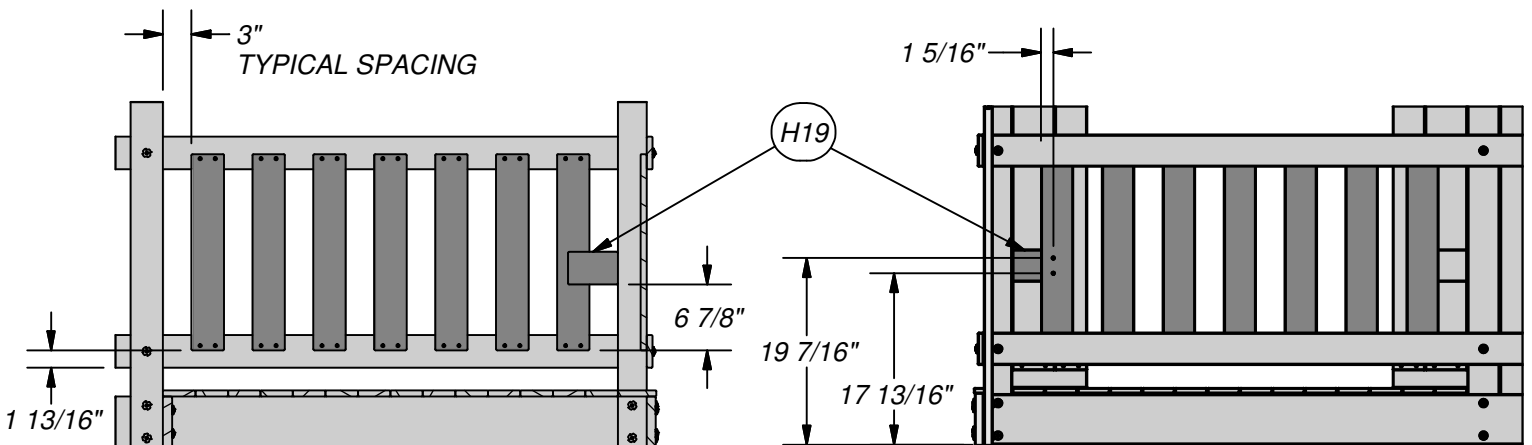
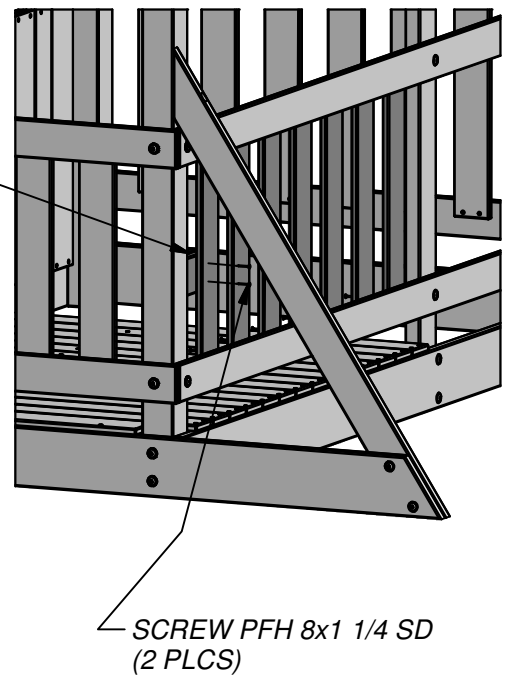
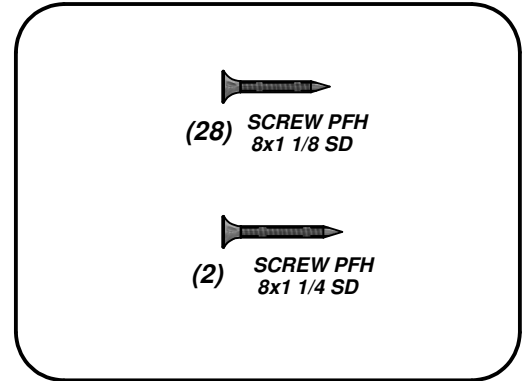
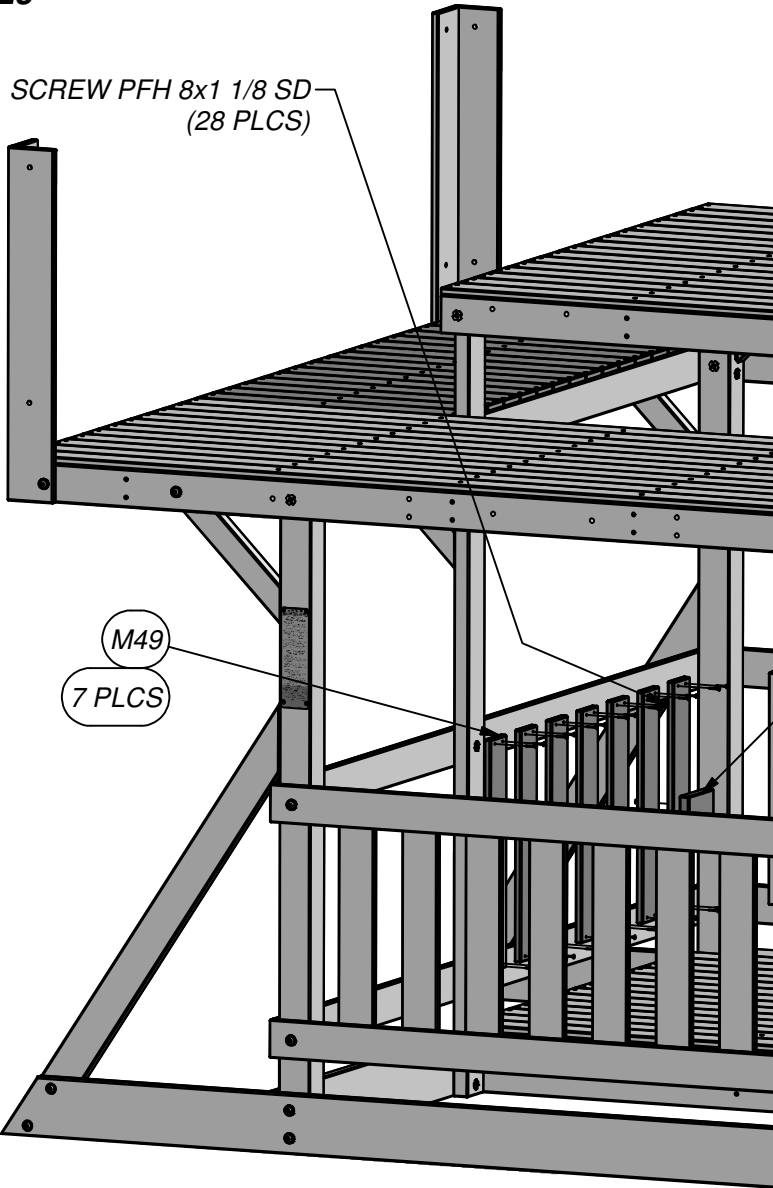


(1) **H19 - SUPPORT BOARD - W4L11196**
 1"x3 3/8"x5 1/4" (24x86x132)



(7) **M49 - PICKET - 53 - W4L11234**
 5/8"x3 3/8"x20 3/8" (16x86x518)

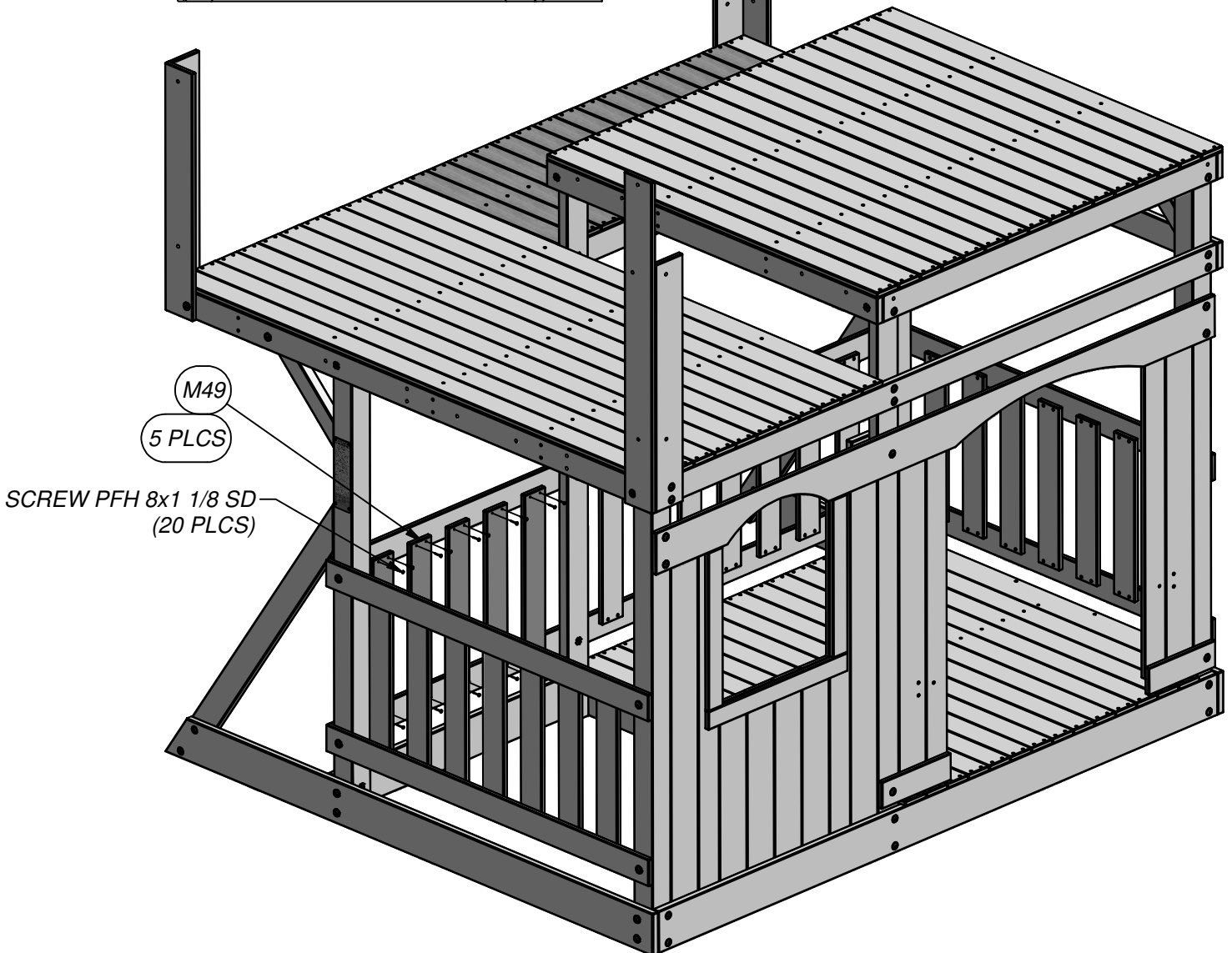
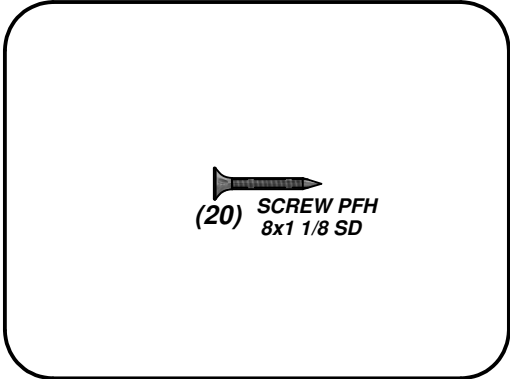
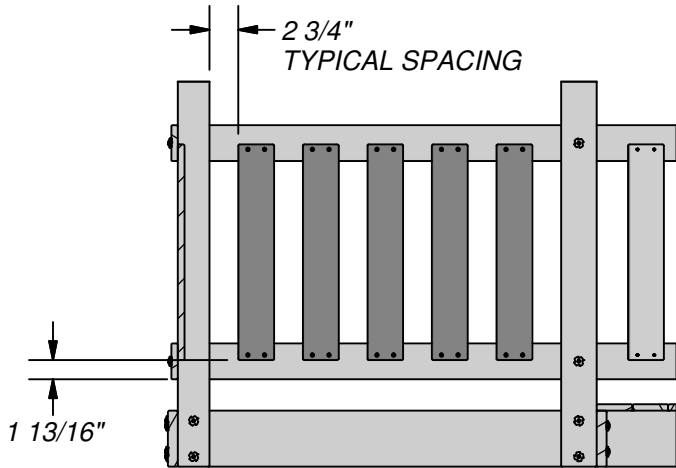
STEP 23





(5) **M49 - PICKET - 53 - W4L11234**
5/8"x3 3/8"x20 3/8" (16x86x518)

STEP 24

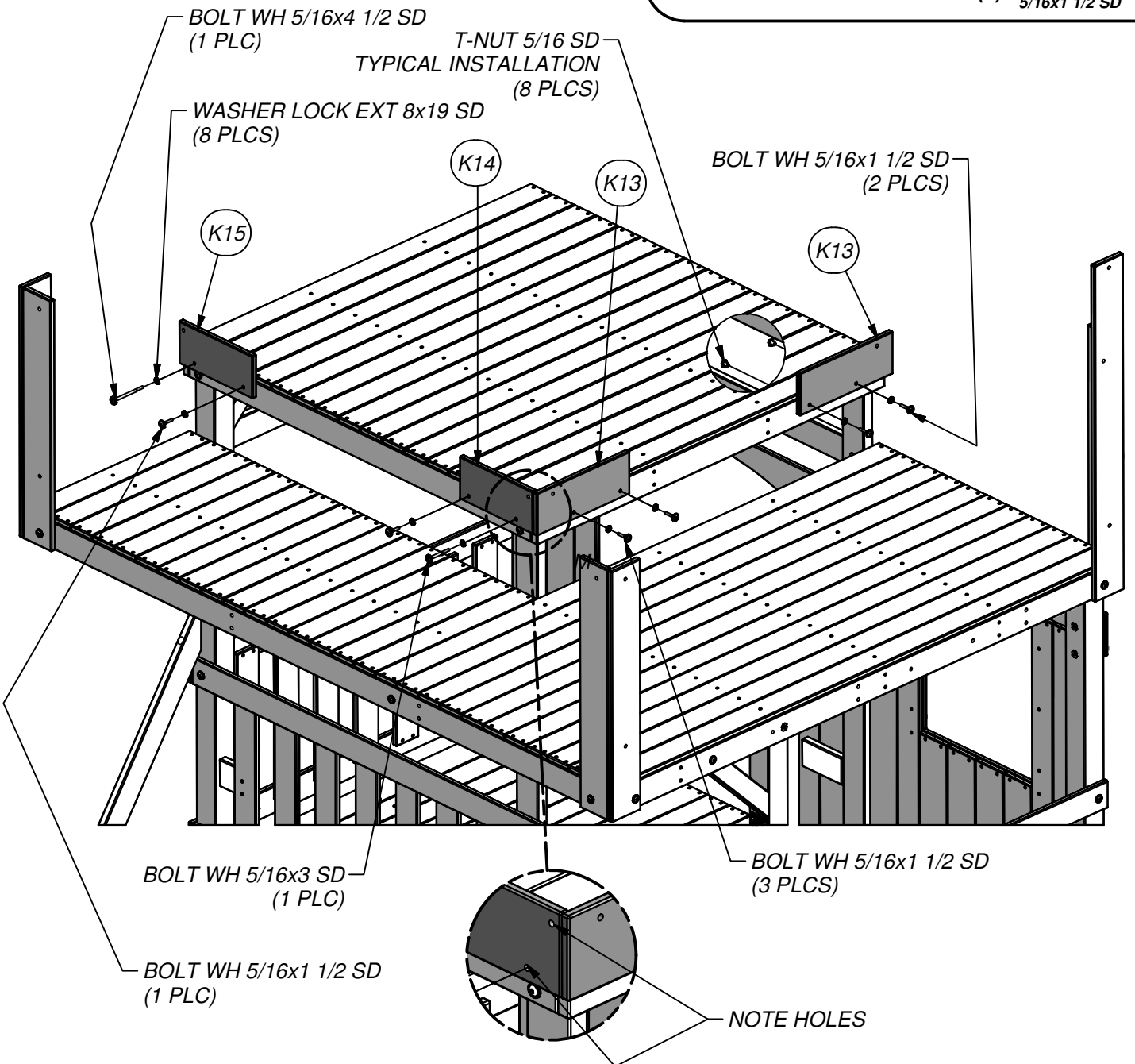
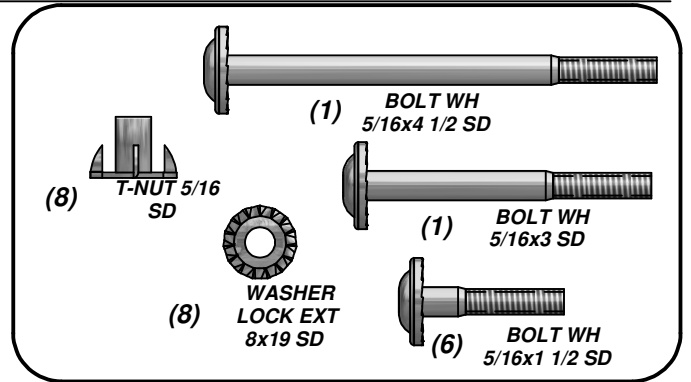


(1) **K15 - WALL RAIL - W4L09067**
5/8"x5 1/4"x11 5/8" (16x134x294)

(1) **K14 - WALL RAIL - W4L09068**
5/8"x5 1/4"x11 5/8" (16x134x294)

(2) **K13 - WALL RAIL - W4L09071**
5/8"x5 1/4"x14 1/8" (16x134x360)

STEP 25



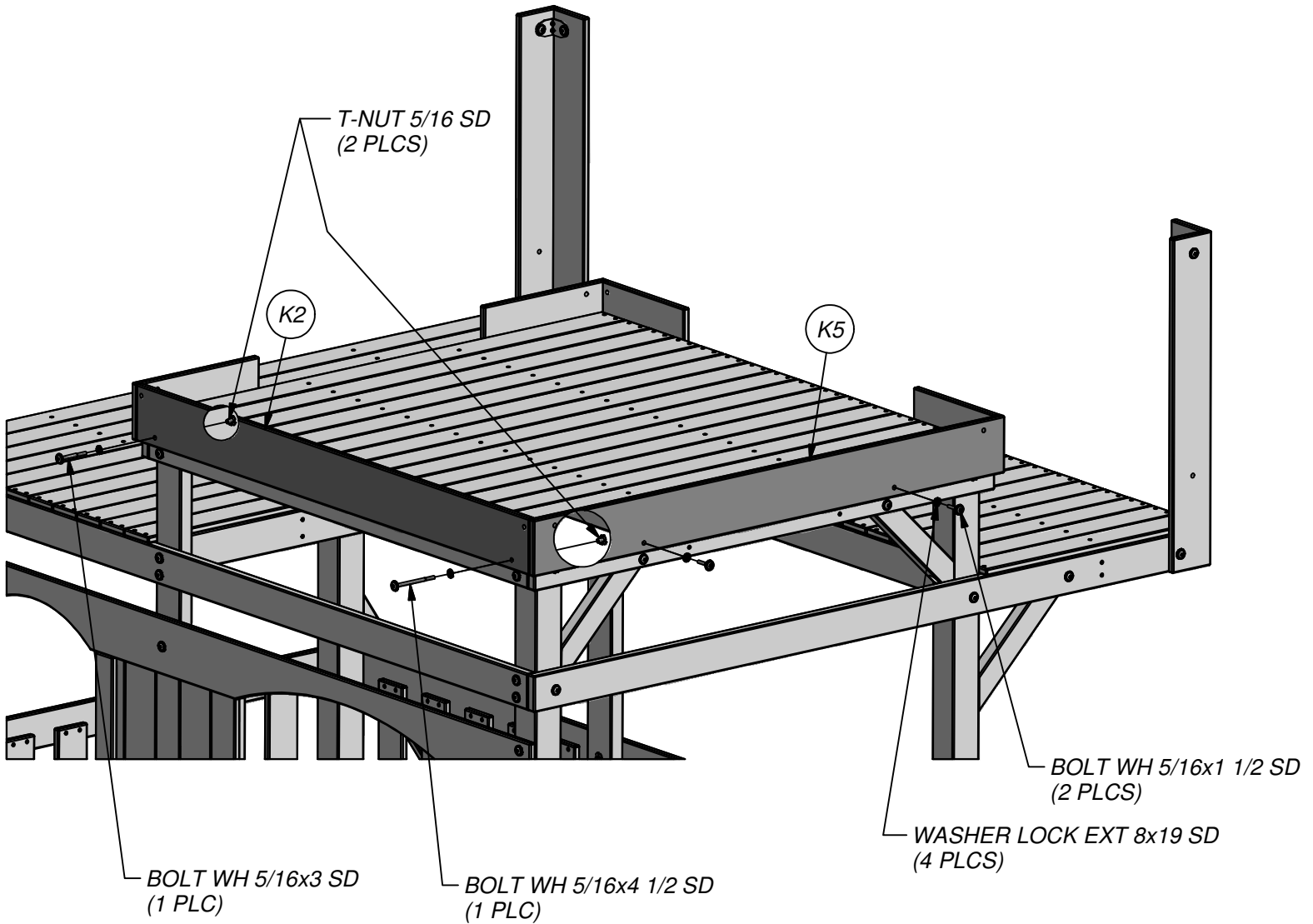
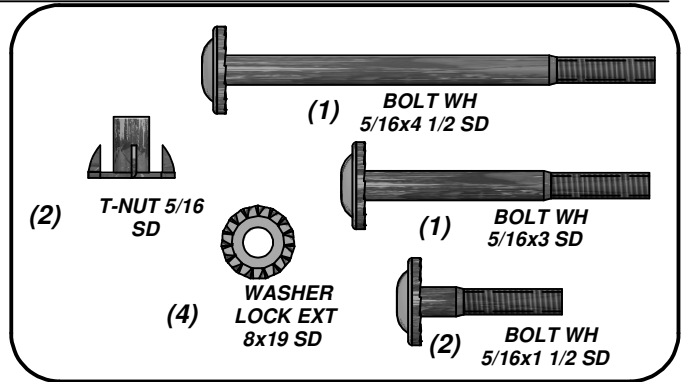


(1) **K5 - WALL RAIL - W4L09061**
5/8"x5 1/4"x54 1/4" (16x134x1378)



(1) **K2 - WALL RAIL - W4L09060**
5/8"x5 1/4"x55 5/8" (16x134x1414)

STEP 26



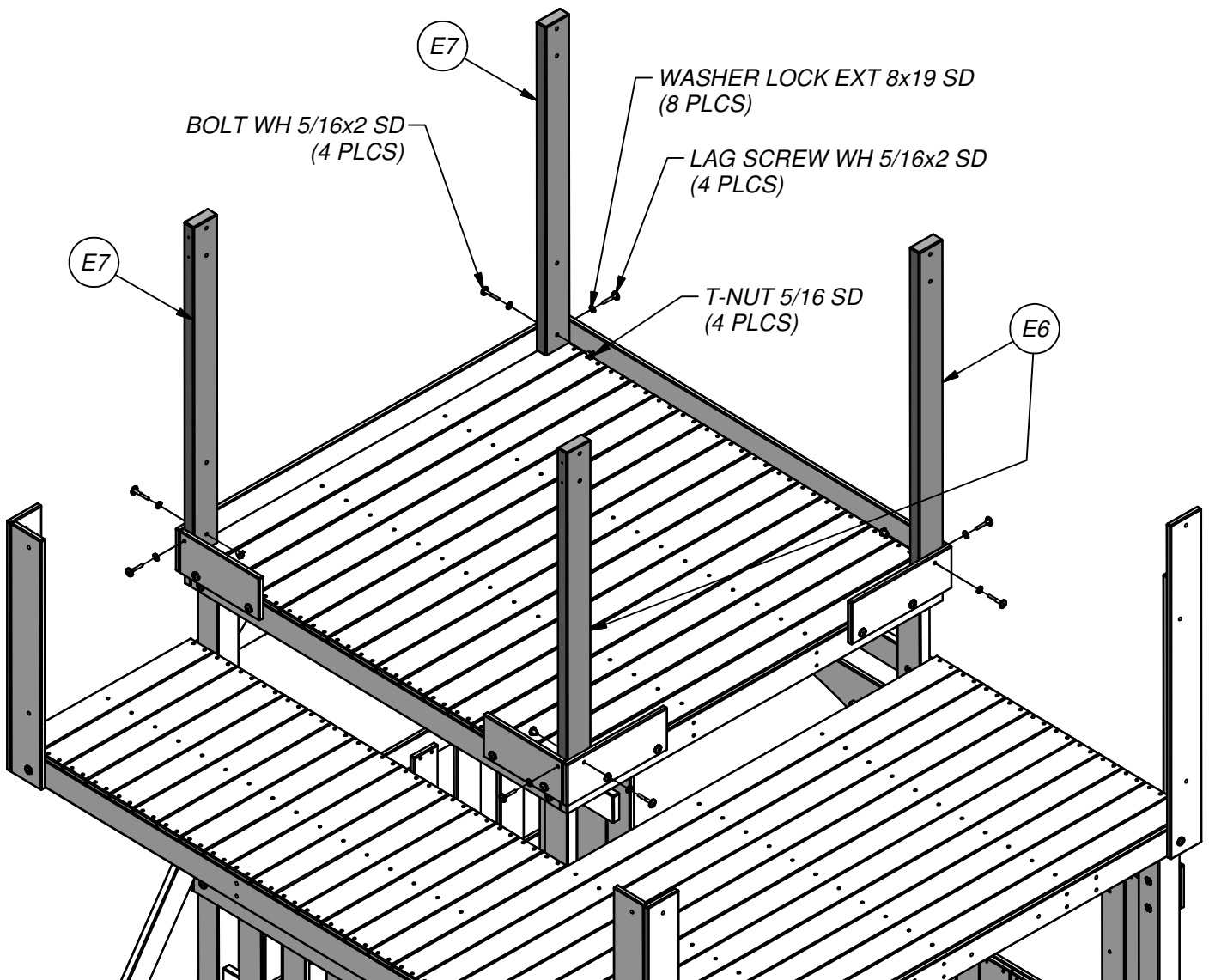
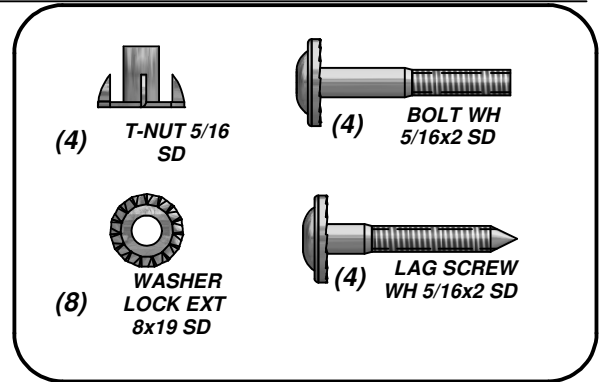


(2) **E6 - UPRIGHT - W4L11183**
 1 3/8"x3 3/8"x41" (36x86x1040)



(2) **E7 - UPRIGHT - W4L11184**
 1 3/8"x3 3/8"x41" (36x86x1040)

STEP 27





(1) **K6 - ARCHED RAIL - W4L09046**
5/8"x5 1/4"x54 1/4" (16x134x1378)



(1) **K7 - ARCHED RAIL - W4L09048**
5/8"x5 1/4"x54 1/4" (16x134x1378)



(1) **K3 - ARCHED RAIL - W4L09047**
5/8"x5 1/4"x55 5/8" (16x134x1414)

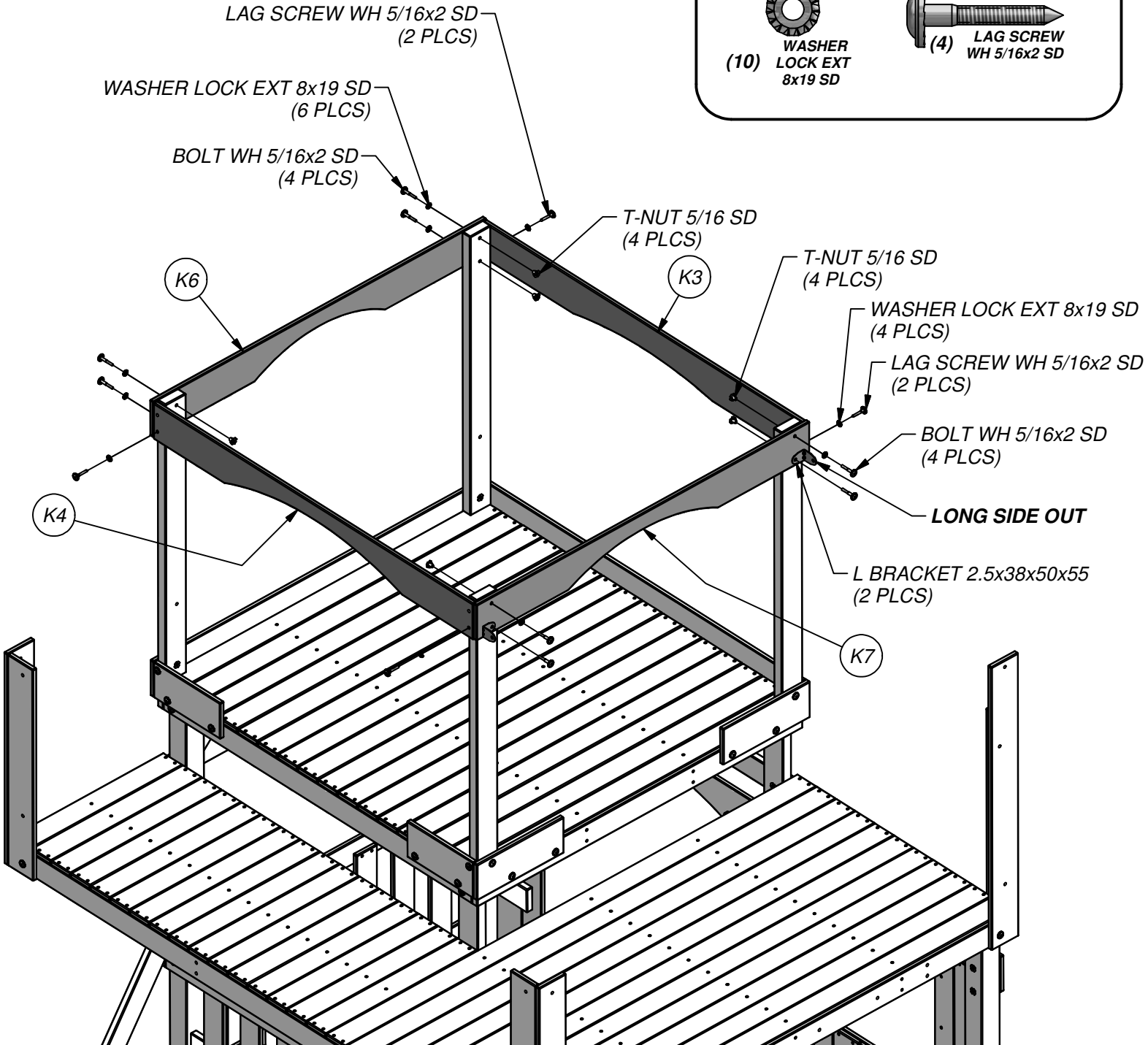
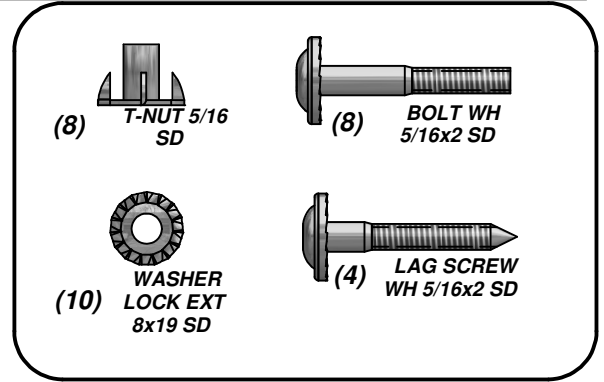


(1) **K4 - ARCHED RAIL - W4L09045**
5/8"x5 1/4"x55 5/8" (16x134x1414)



(2) **TZ - L BRACKET 2.5x38x50x55 - A100340**

STEP 28





(6) M12 - WALL BOARD - W4L11224
5/8"x3 3/8"x36" (16x86x914)

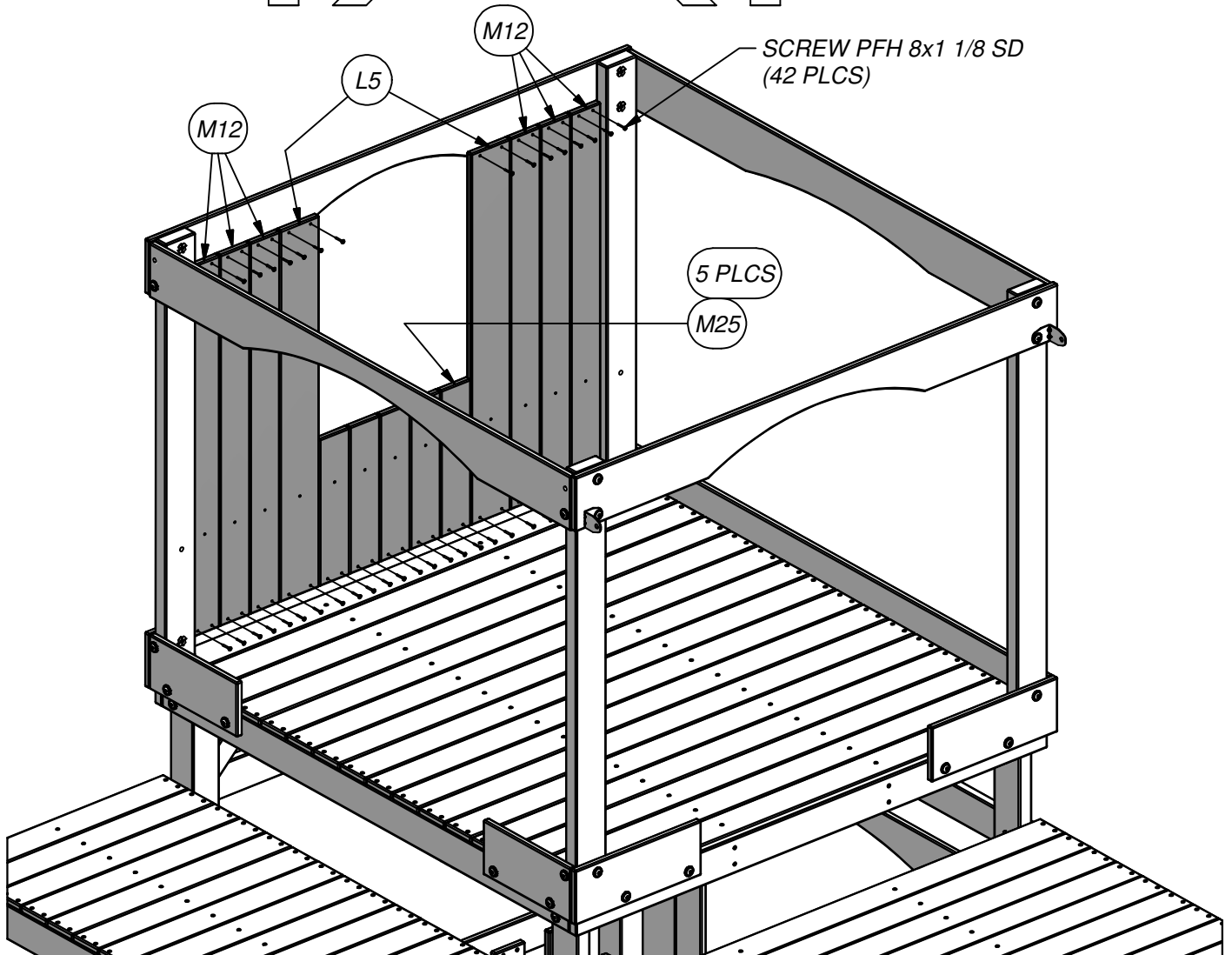
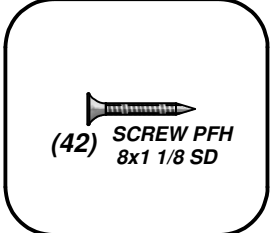
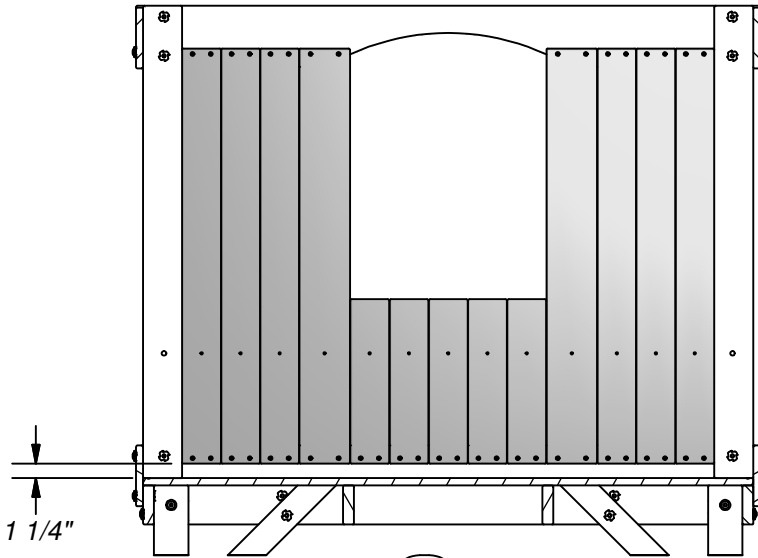


(2) L5 - WALL BOARD - W4L11212
5/8"x4 3/8"x36" (16x112x914)



(5) M25 - WALL BOARD - W4L11231
5/8"x3 3/8"x14 1/4" (16x86x362)

STEP 29



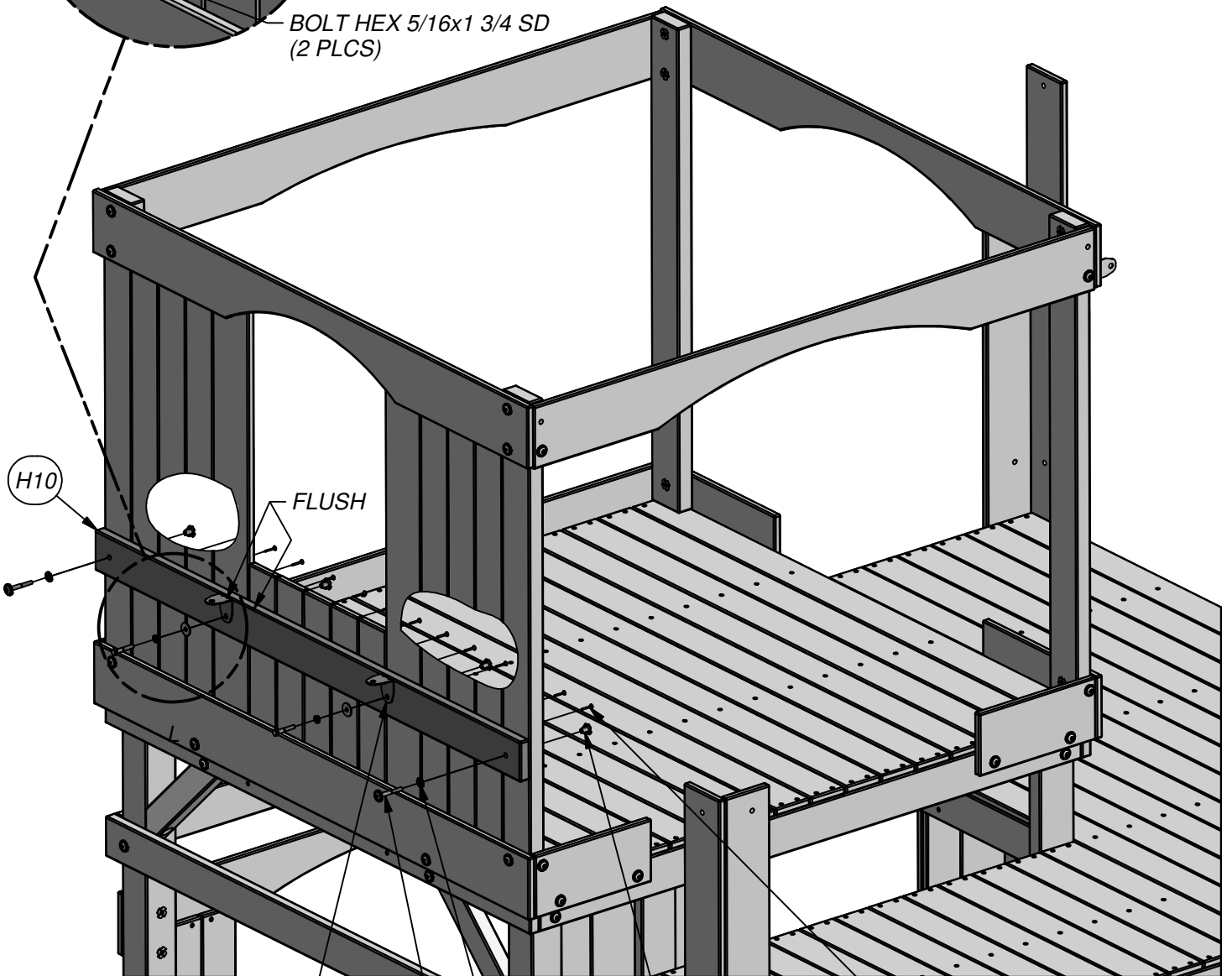
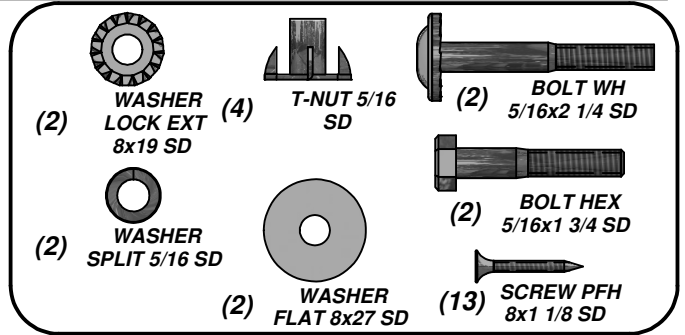
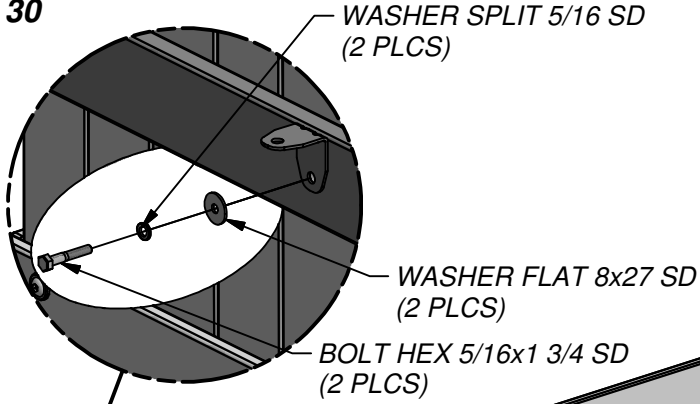


(1) **H10 - SUPPORT BOARD - W4L09062**
1"x3 3/8"x53" (24x86x1346)



(2) **TZ - L BRACKET 2.5x38x50x55 - A100340**

STEP 30



L BRACKET 2.5x38x50x55
(2 PLCS)
DRILL 3/8" (10mm) HOLE
THROUGH WALL

WASHER LOCK EXT 8x19 SD
(2 PLCS)

BOLT WH 5/16x2 1/4 SD
(2 PLCS)

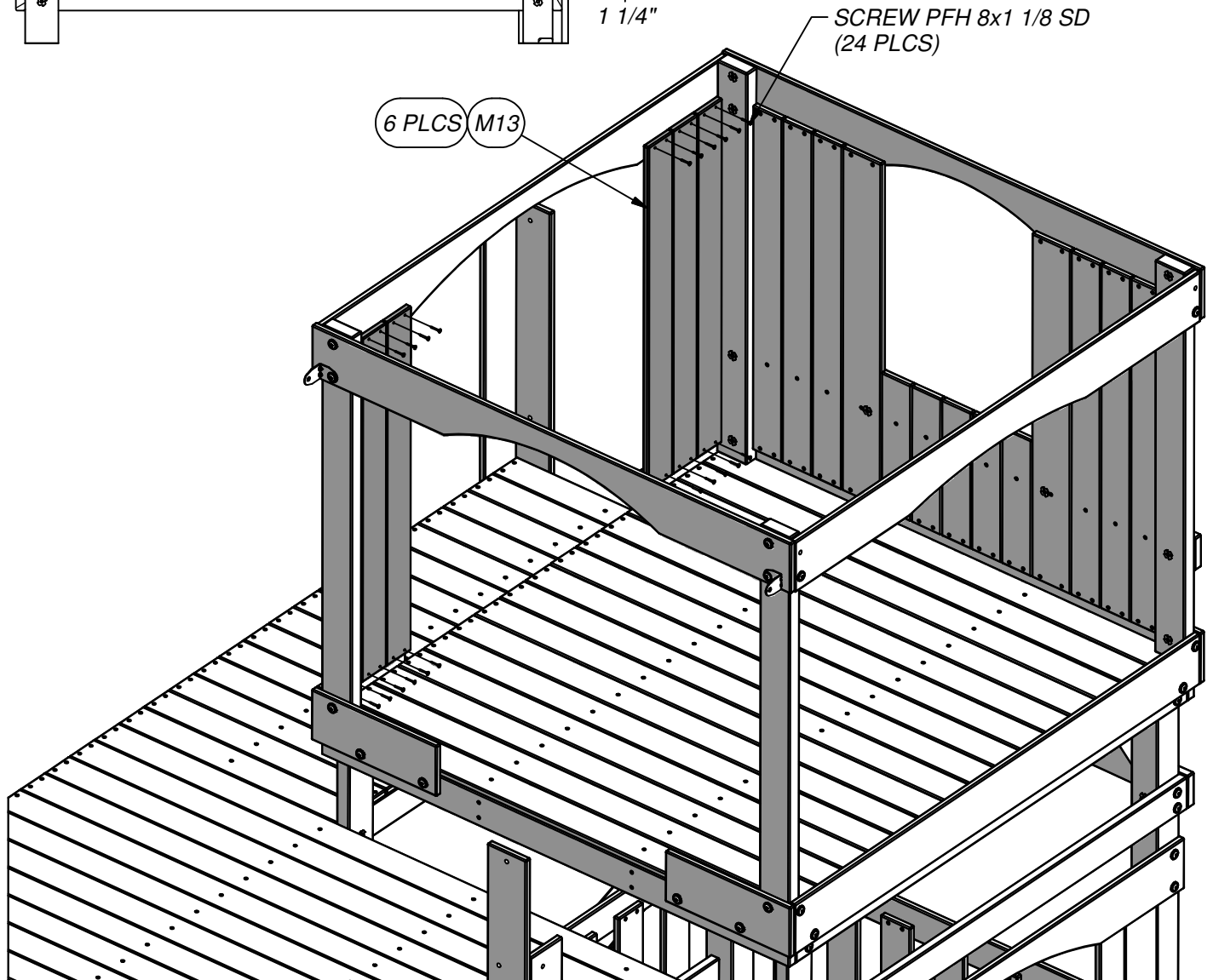
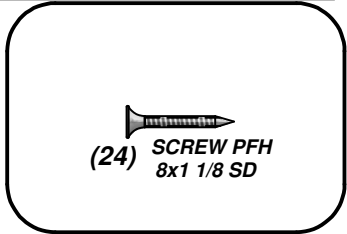
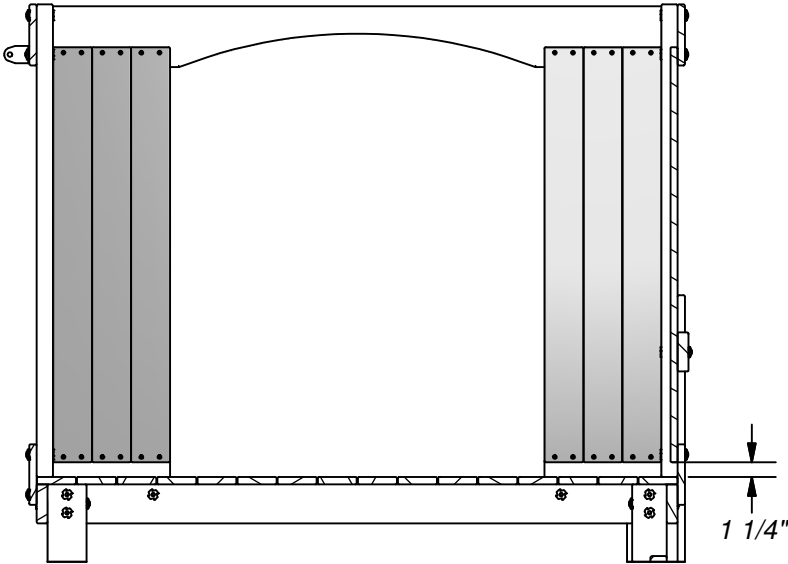
T-NUT 5/16 SD
(4 PLCS)

SCREW PFH 8x1 1/8 SD
(13 PLCS)



(6) *M13 - WALL BOARD - W4L11225*
5/8"x3 3/8"x36" (16x86x914)

STEP 31

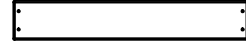




(1) L11 - WALL BOARD - W4L11217
5/8"x4 3/8"x20 3/8" (16x112x518)

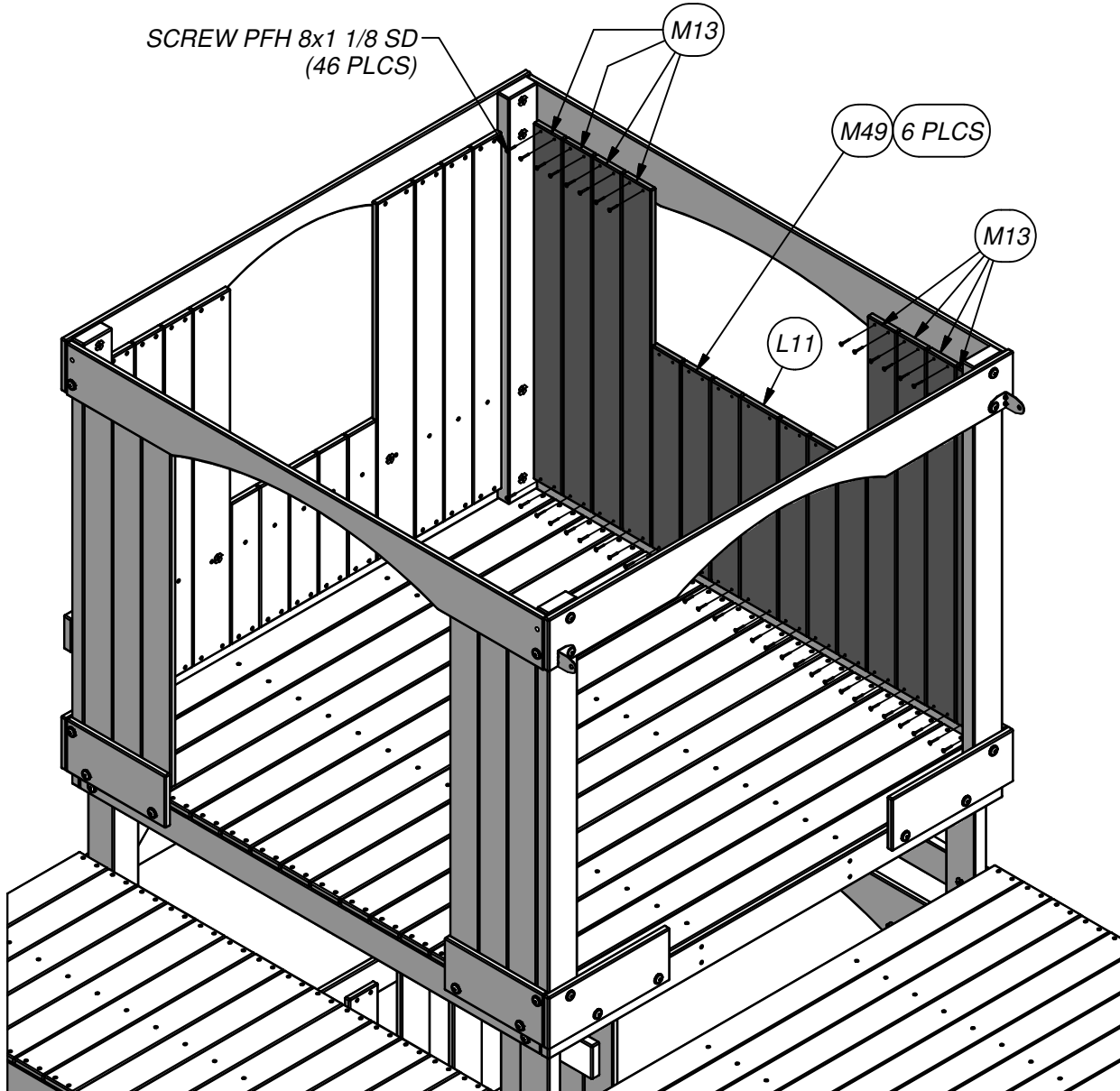
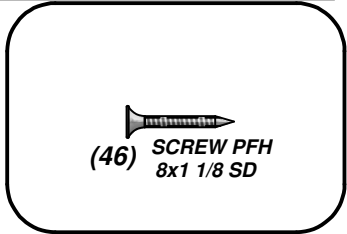
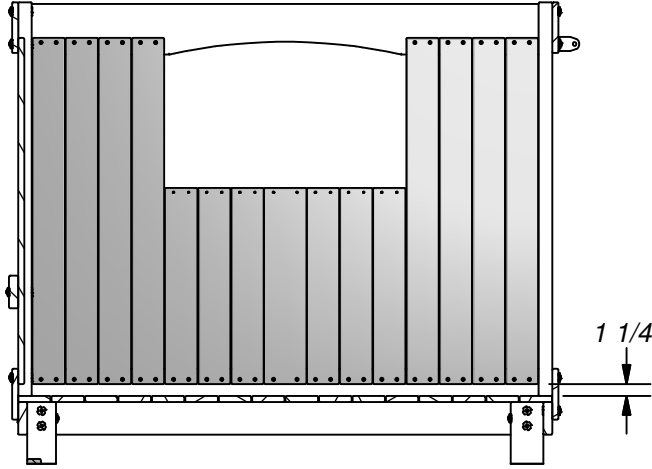


(8) M13 - WALL BOARD - W4L11225
5/8"x3 3/8"x36" (16x86x914)



(6) M49 - PICKET - 53 - W4L11234
5/8"x3 3/8"x20 3/8" (16x86x518)

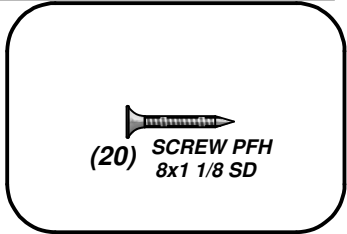
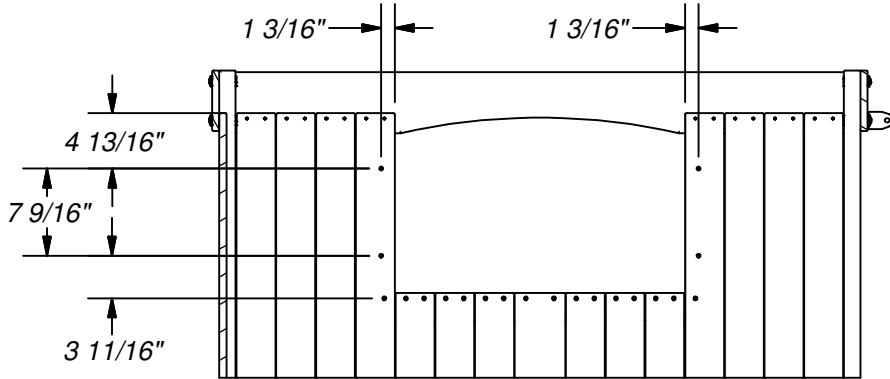
STEP 32



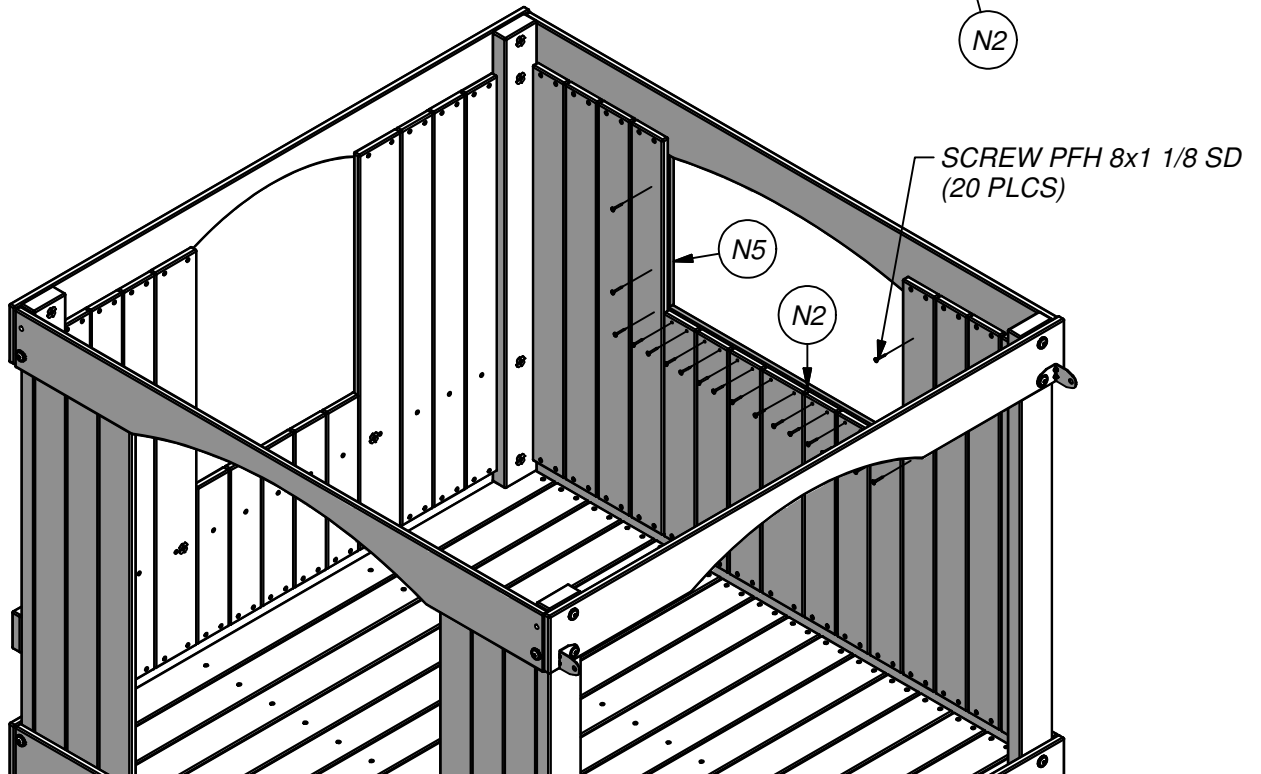
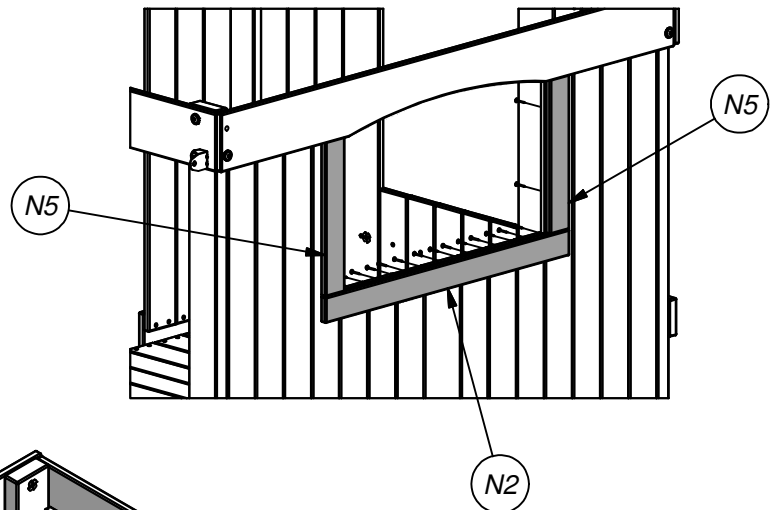
(1) **N2 - WINDOW TRIM - W4L09059**
5/8"x2 3/8"x30" (16x60x761)

(2) **N5 - WINDOW TRIM - W4L09058**
5/8"x2 3/8"x14" (16x60x356)

STEP 33



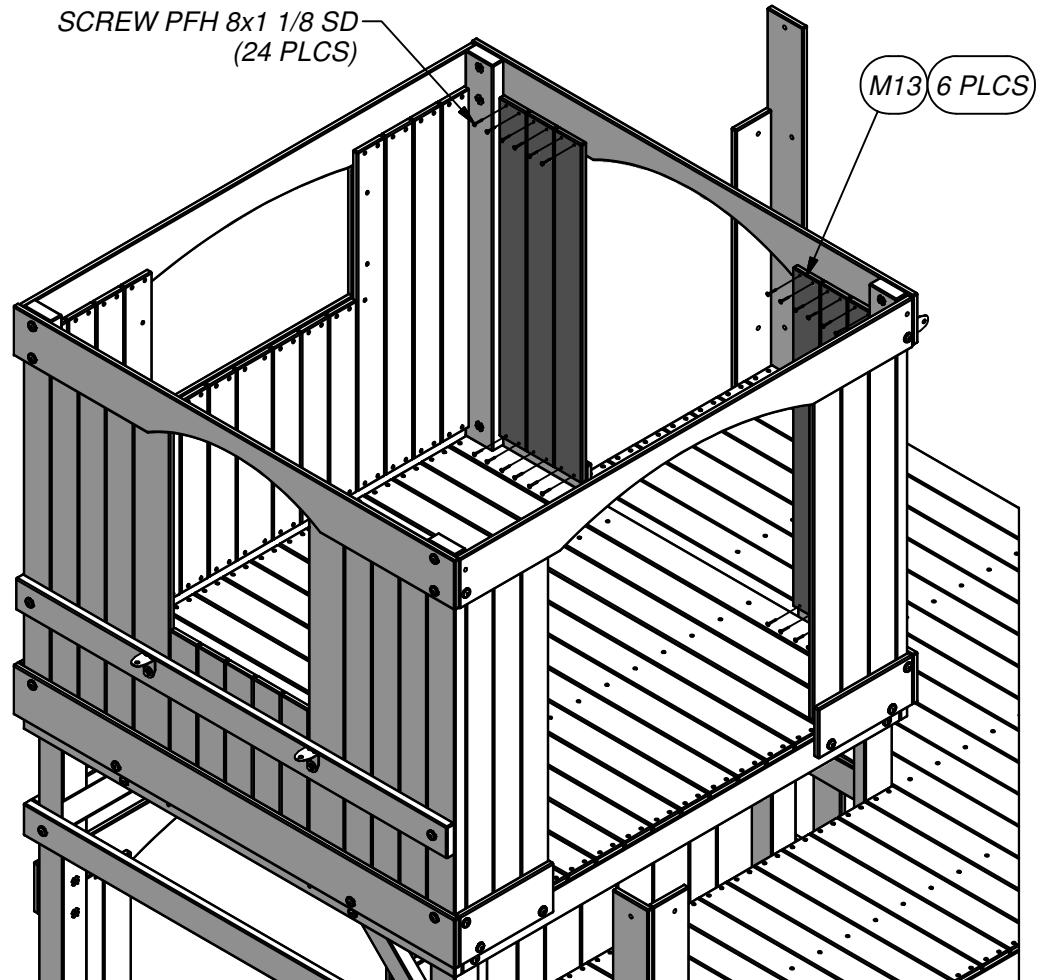
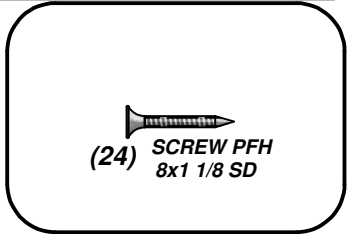
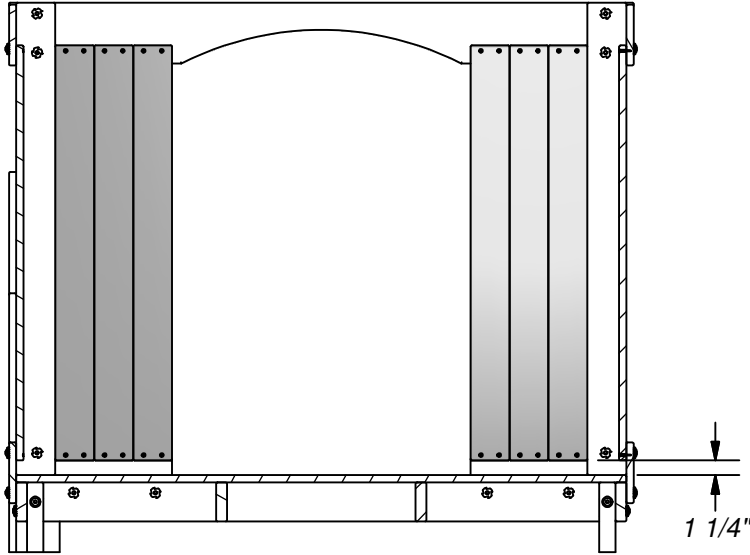
NOTE:
DRILL $\frac{3}{16}''$ (5mm) HOLES WHERE INDICATED.





(6) **M13 - WALL BOARD - W4L11225**
5/8"x3 3/8"x36" (16x86x914)

STEP 34

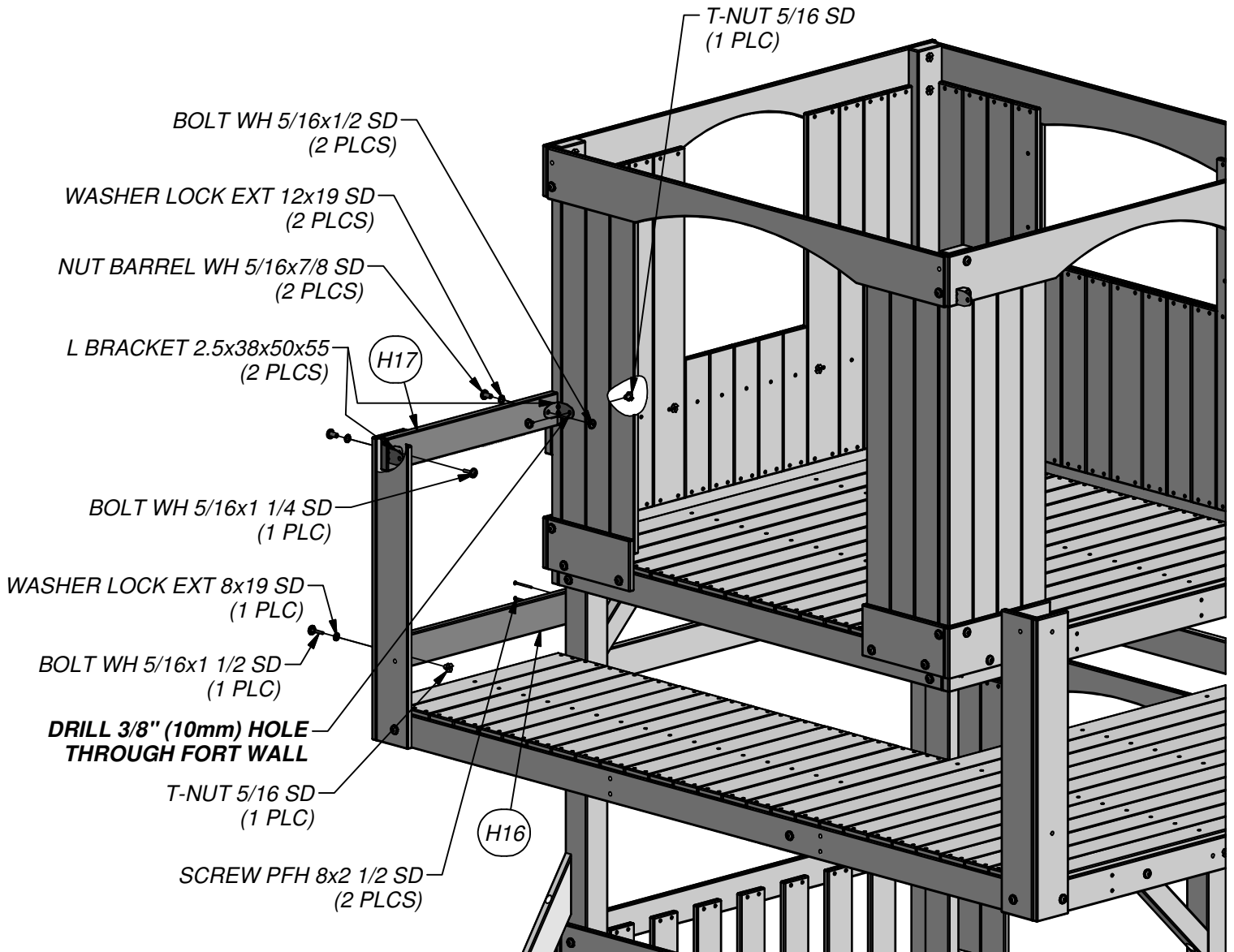
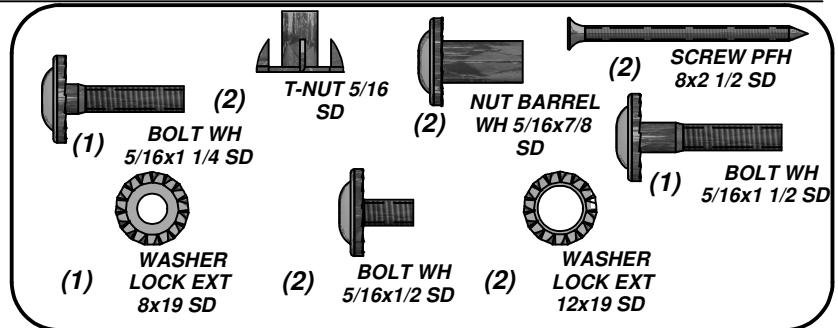


(1) **H17 - WALL RAIL - W4L09052**
 1"x3 3/8"x23 3/4" (24x86x604)

(1) **H16 - WALL RAIL - W4L09053**
 1"x3 3/8"x26 1/4" (24x86x668)

(2) **TZ - L BRACKET 2.5x38x50x55 - A100340**

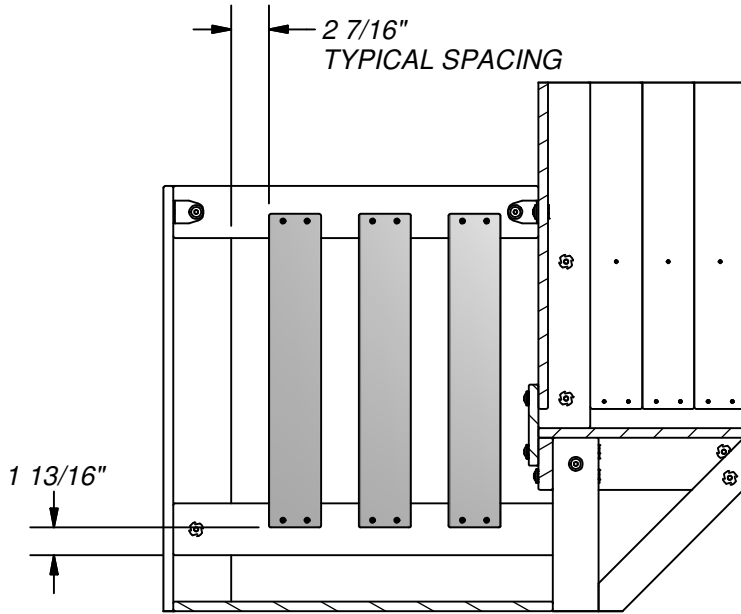
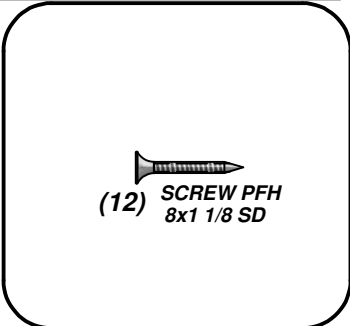
STEP 35





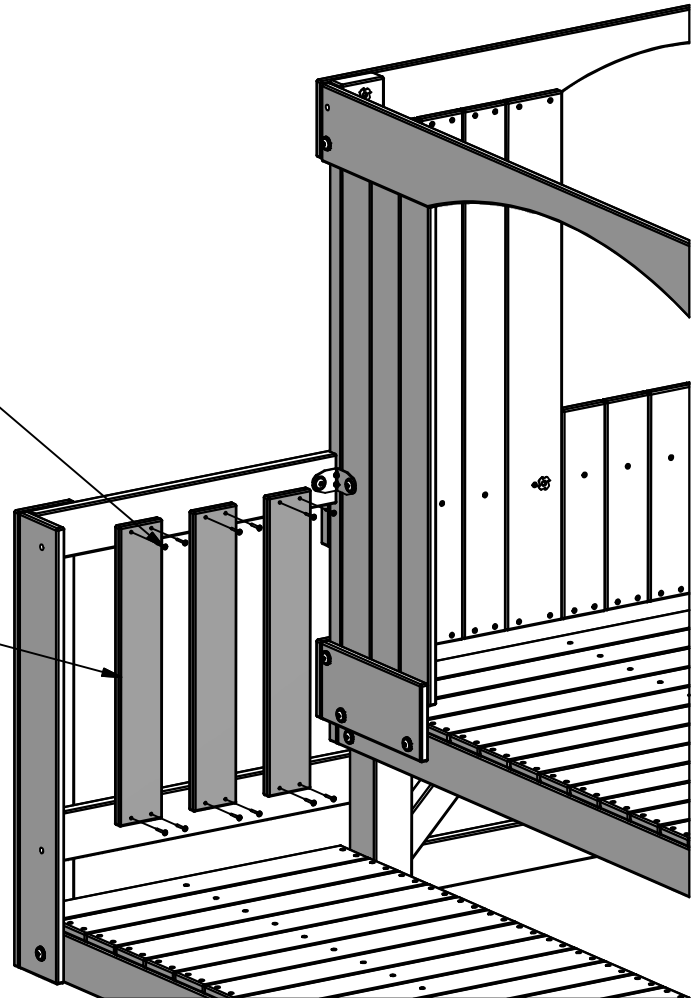
(3) M49 - PICKET - 53 - W4L11234
5/8"x3 3/8"x20 3/8" (16x86x518)

STEP 36



SCREW PFH 8x1 1/8 SD
(12 PLCS)

3 PLCS M49

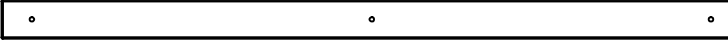




(1) H20 - WALL RAIL - W4L09051
1"x3 3/8"x92" (24x86x2336)



(2) M14 - WALL BOARD - W4L11226
5/8"x3 3/8"x31" (16x86x788)

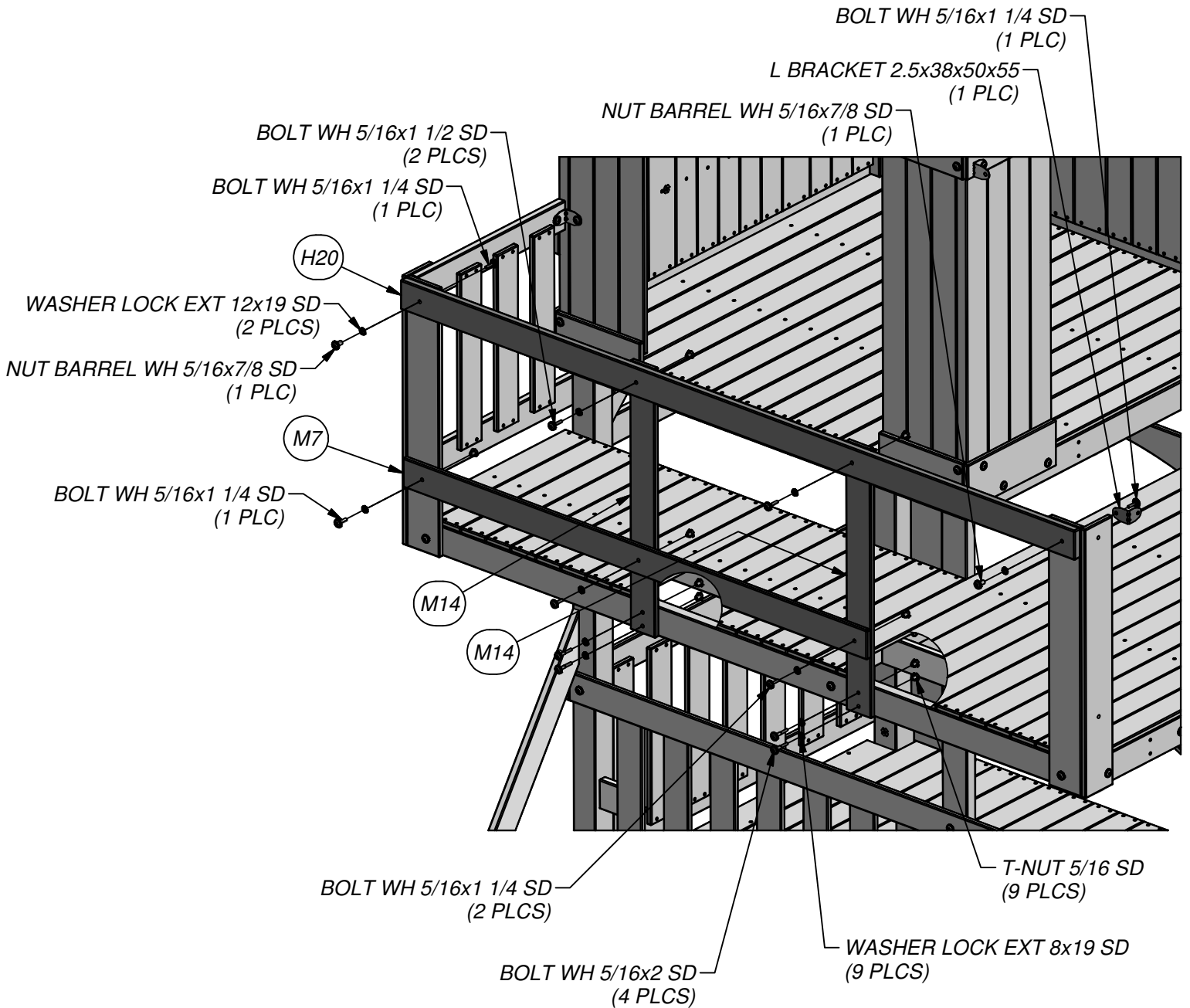
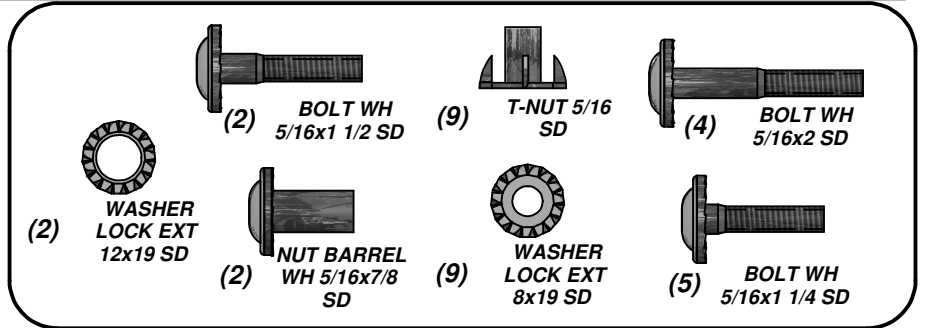


(1) M7 - WALL RAIL - W4L09054
5/8"x3 3/8"x63 1/4" (16x86x1608)



(1) TZ - L BRACKET 2.5x38x50x55 - A100340

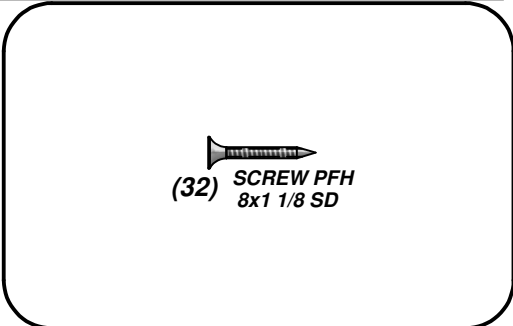
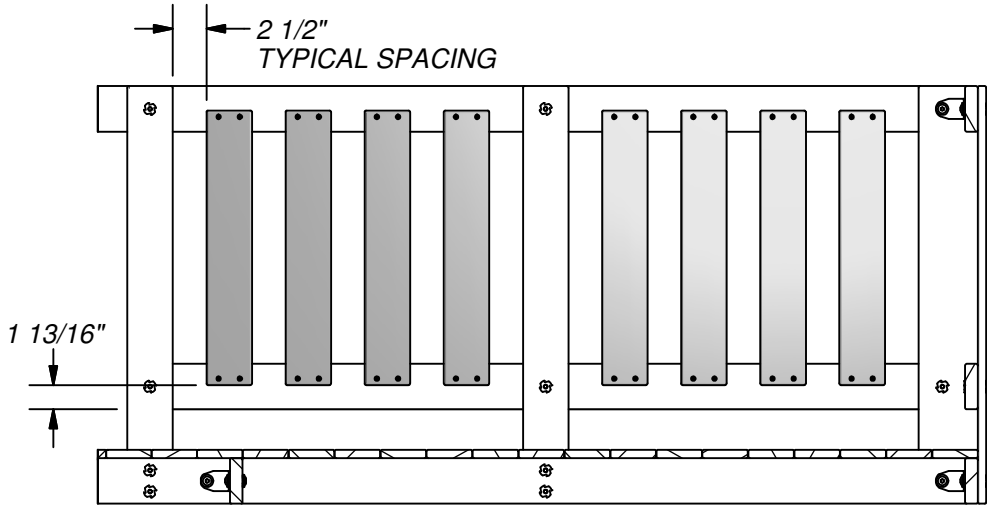
STEP 37





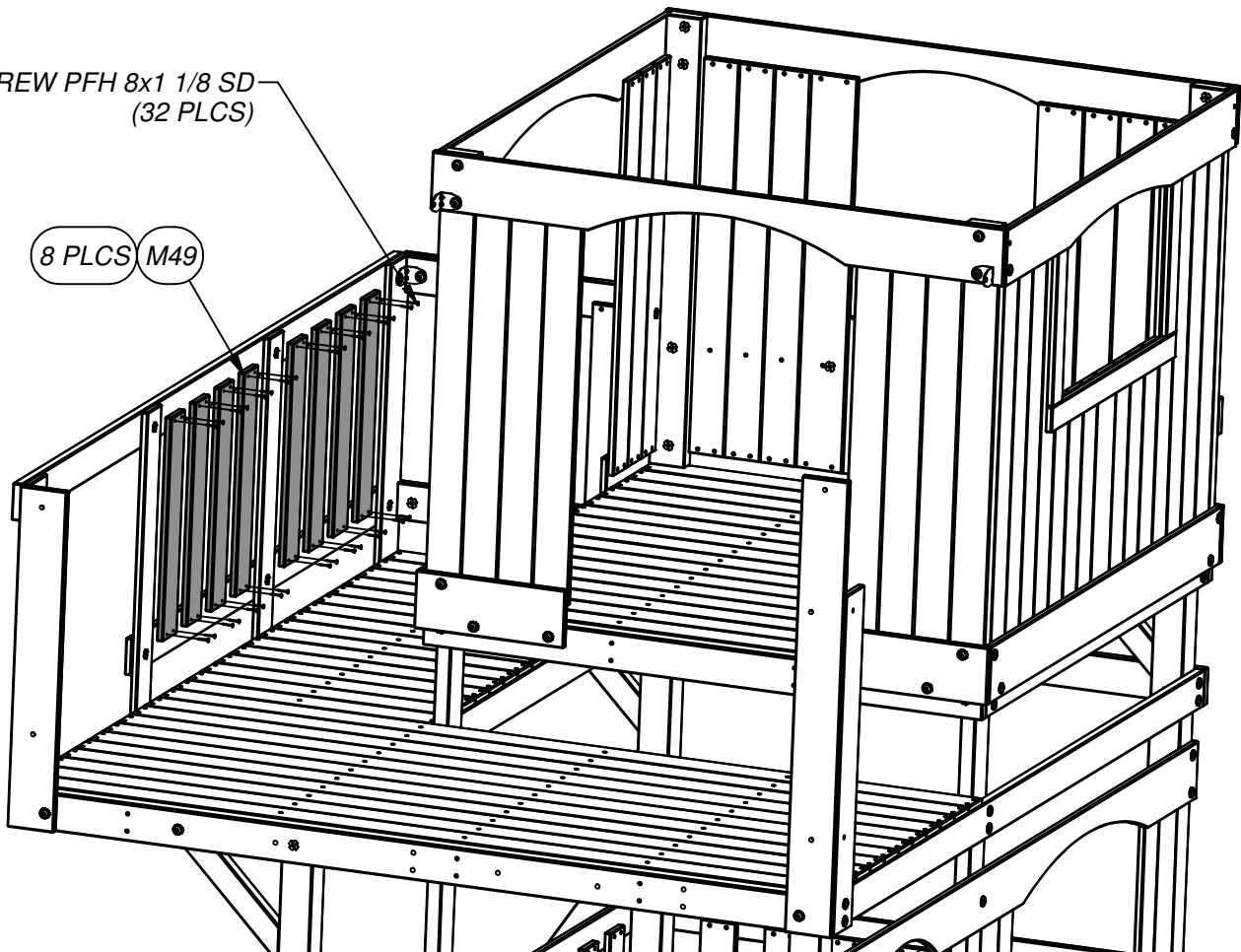
(8) M49 - PICKET - 53 - W4L11234
5/8"x3 3/8"x20 3/8" (16x86x518)

STEP 38



SCREW PFH 8x1 1/8 SD
(32 PLCS)

8 PLCS M49

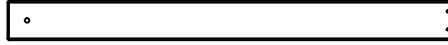




(1) H13 - WALL RAIL - W4L09049
1"x3 3/8"x36 1/4" (24x86x922)

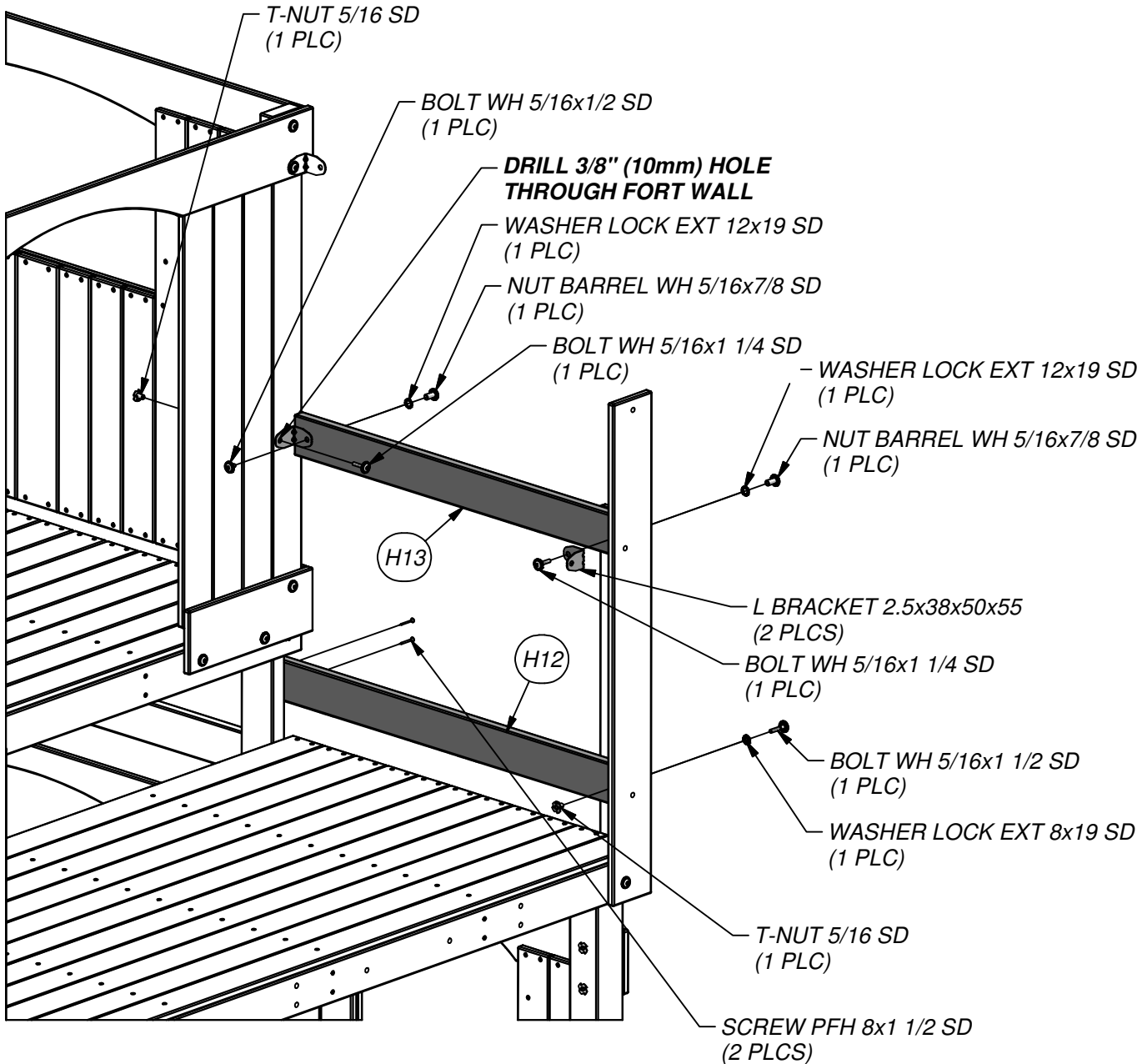
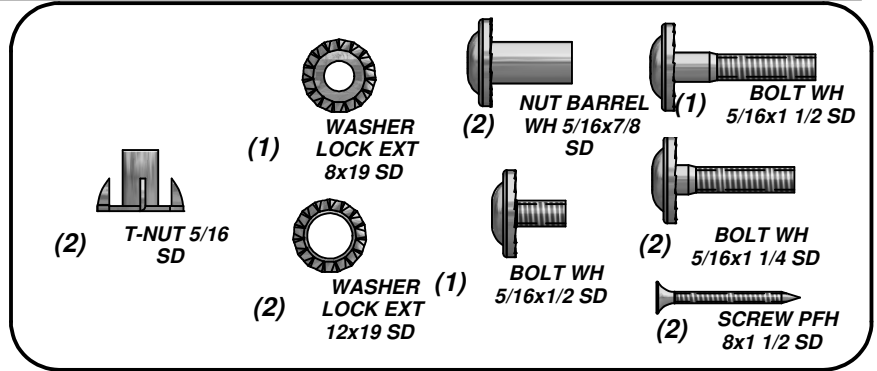


(2) TZ - L BRACKET 2.5x38x50x55 - A100340



(1) H12 - WALL RAIL - W4L09057
1"x3 3/8"x38 3/4" (24x86x983)

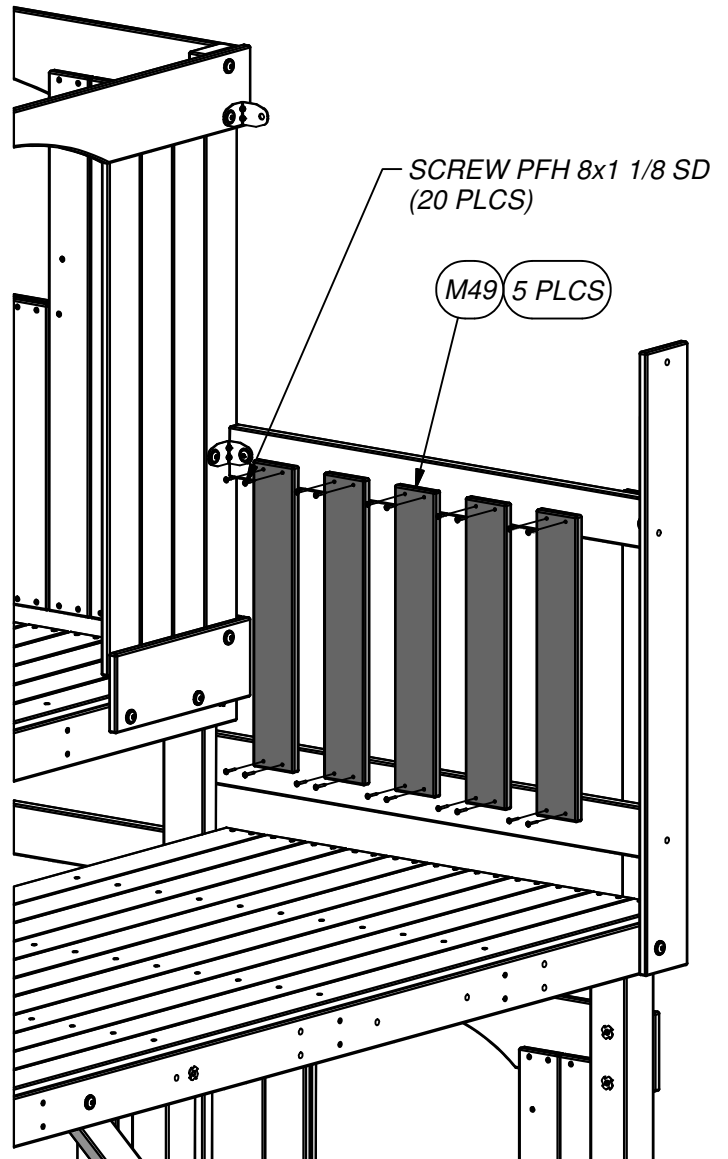
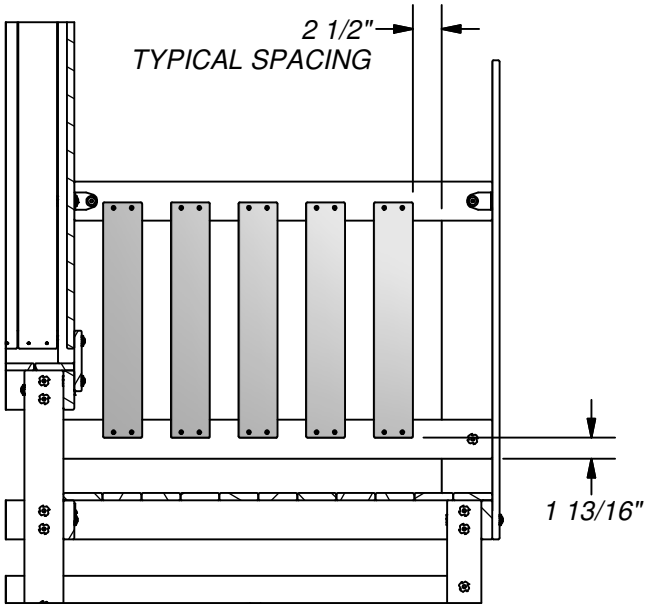
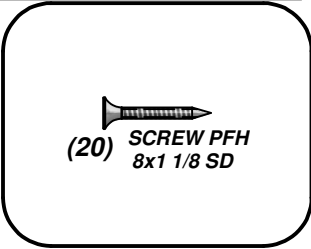
STEP 39

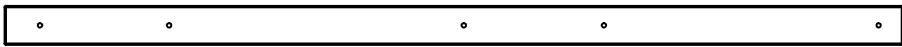




(5) **M49 - PICKET - 53 - W4L11234**
5/8"x3 3/8"x20 3/8" (16x86x518)

STEP 40





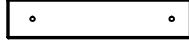
(1) H22 - WALL RAIL - W4L09050
1"x3 3/8"x78" (24x86x1982)



(1) L3 - CORNER BOARD - W4L11210
5/8"x4 3/8"x41 1/2" (16x112x1055)



(1) M11 - WALL RAIL - W4L09055
5/8"x3 3/8"x39 7/8" (16x86x1012)

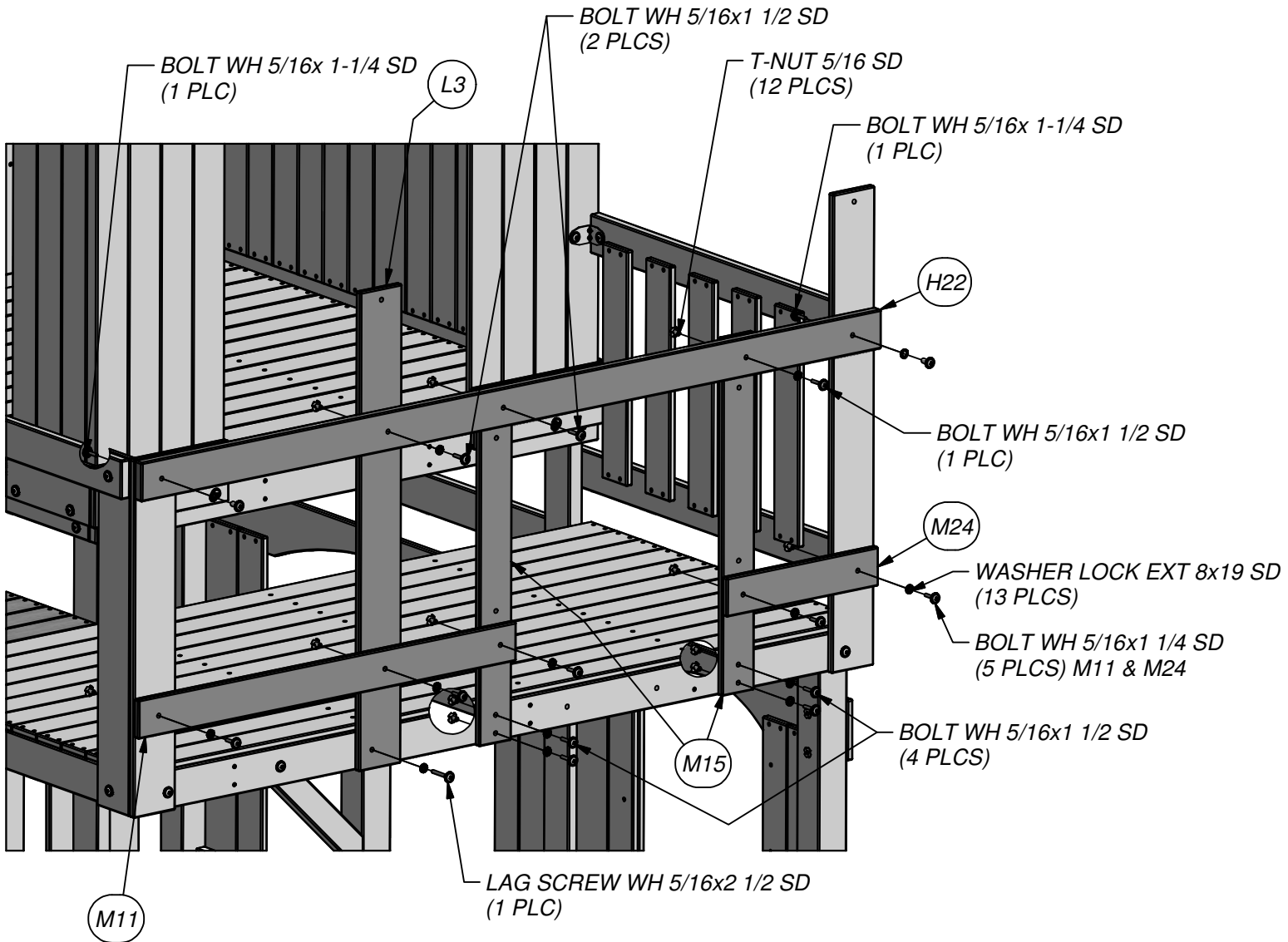
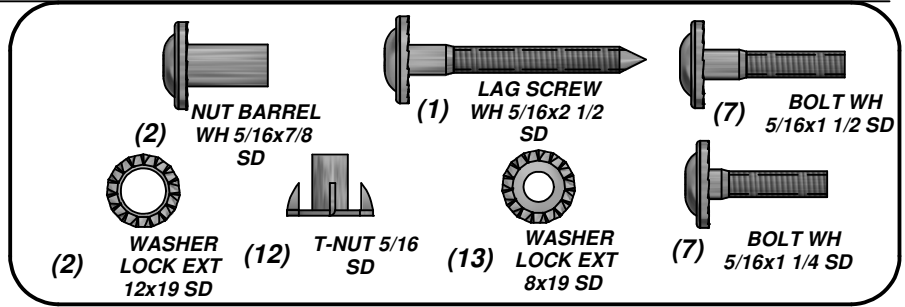


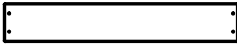
(1) M24 - WALL RAIL - W4L09056
5/8"x3 3/8"x16" (16x86x406)



(2) M15 - WALL BOARD - W4L11227
5/8"x3 3/8"x31" (16x86x788)

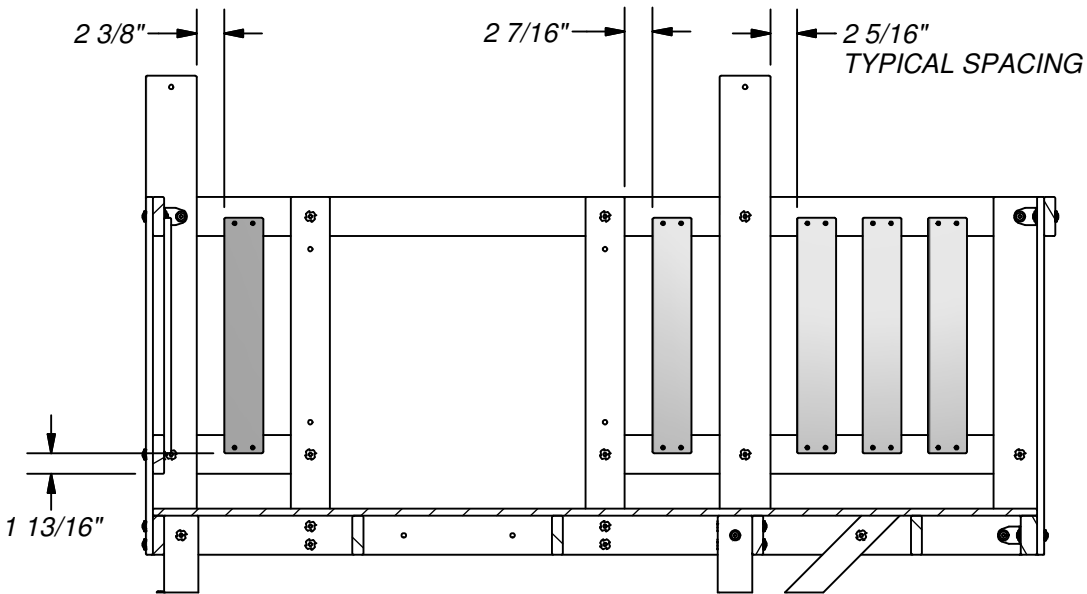
STEP 41



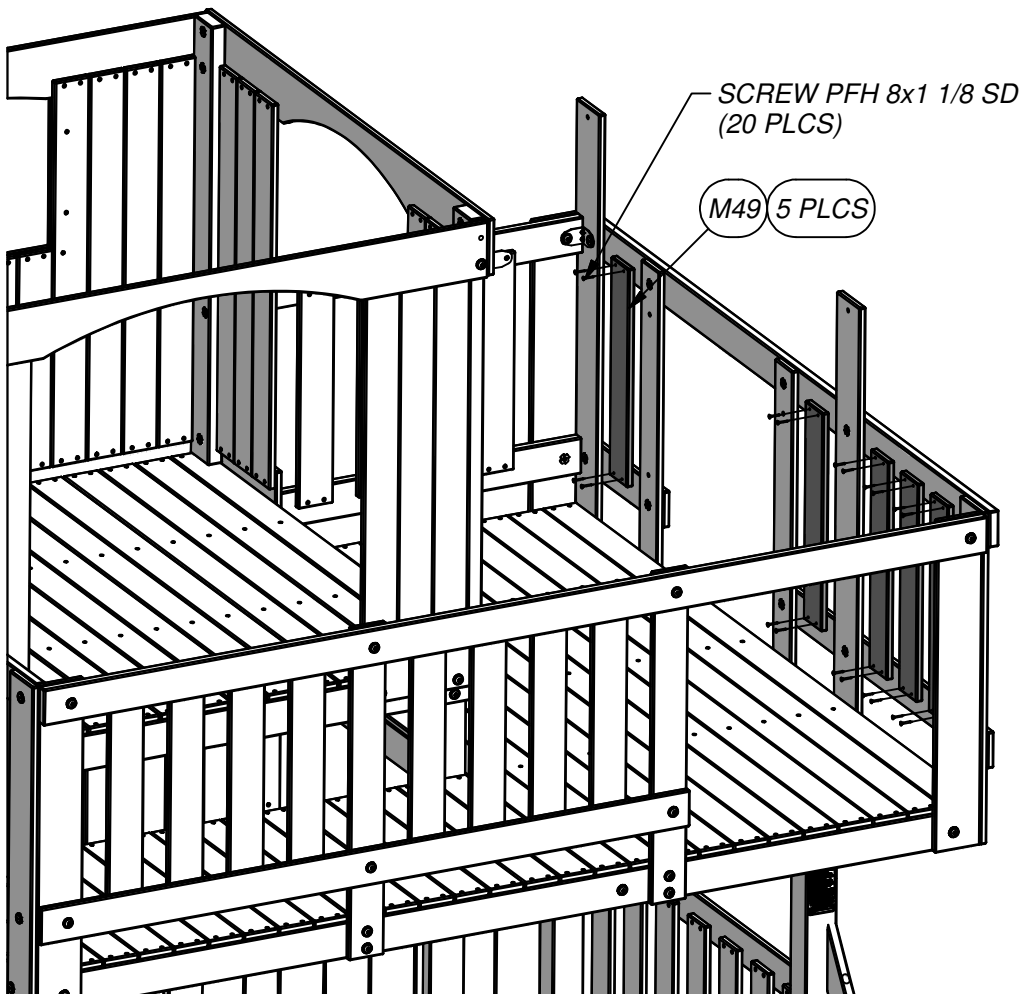


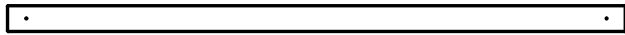
(5) M49 - PICKET - 53 - W4L11234
5/8"x3 3/8"x20 3/8" (16x86x518)

STEP 42




(20) SCREW PFH
8x1 1/8 SD





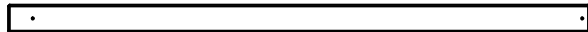
(1) **J5 - SAFETY RAIL - W4L09070**
1"x2 3/8"x53 3/4" (24x60x1366)



(1) **J2 - SAFETY RAIL - W4L09075**
1"x2 3/8"x52 1/4" (24x60x1326)

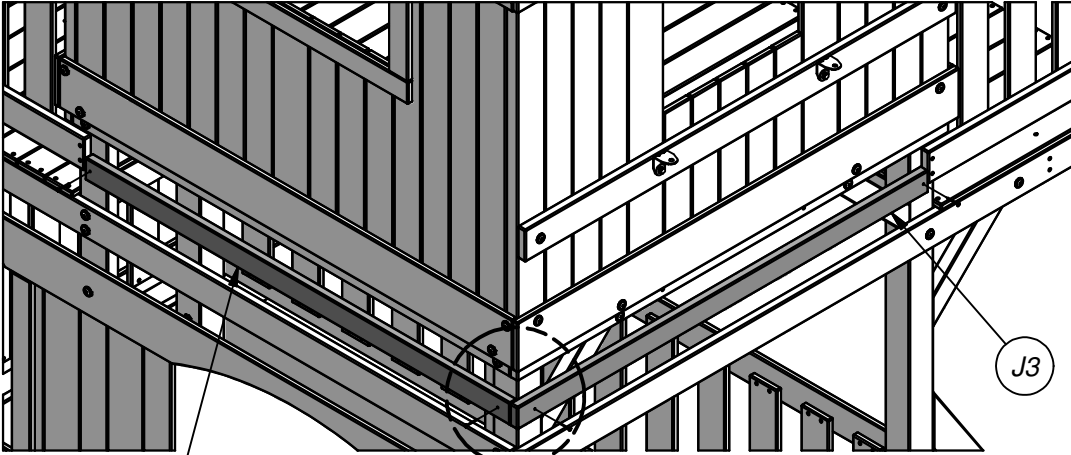


(1) **J4 - SAFETY RAIL - W4L09074**
1"x2 3/8"x52" (24x60x1322)



(1) **J3 - SAFETY RAIL - W4L09065**
1"x2 3/8"x50 1/2" (24x60x1282)

STEP 43

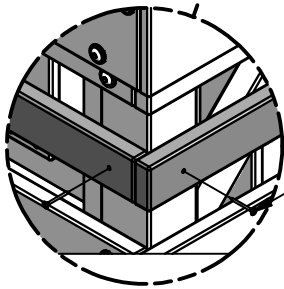


(8) **SCREW PFH**
8x1 1/2 SD

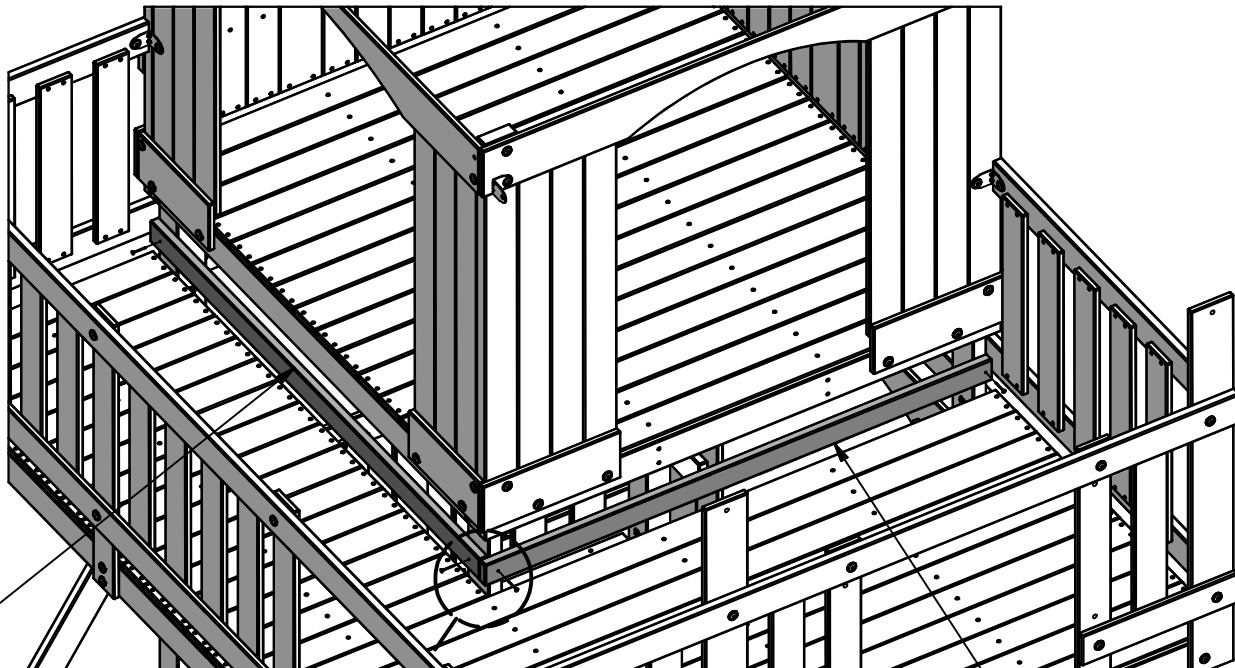
J2

J3

NOTE:
CENTER SAFETY RAILS IN OPENINGS.

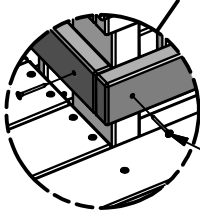


SCREW PFH 8x1 1/2 SD
(4 PLCS)

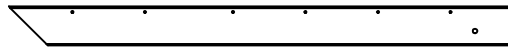


J5

J4

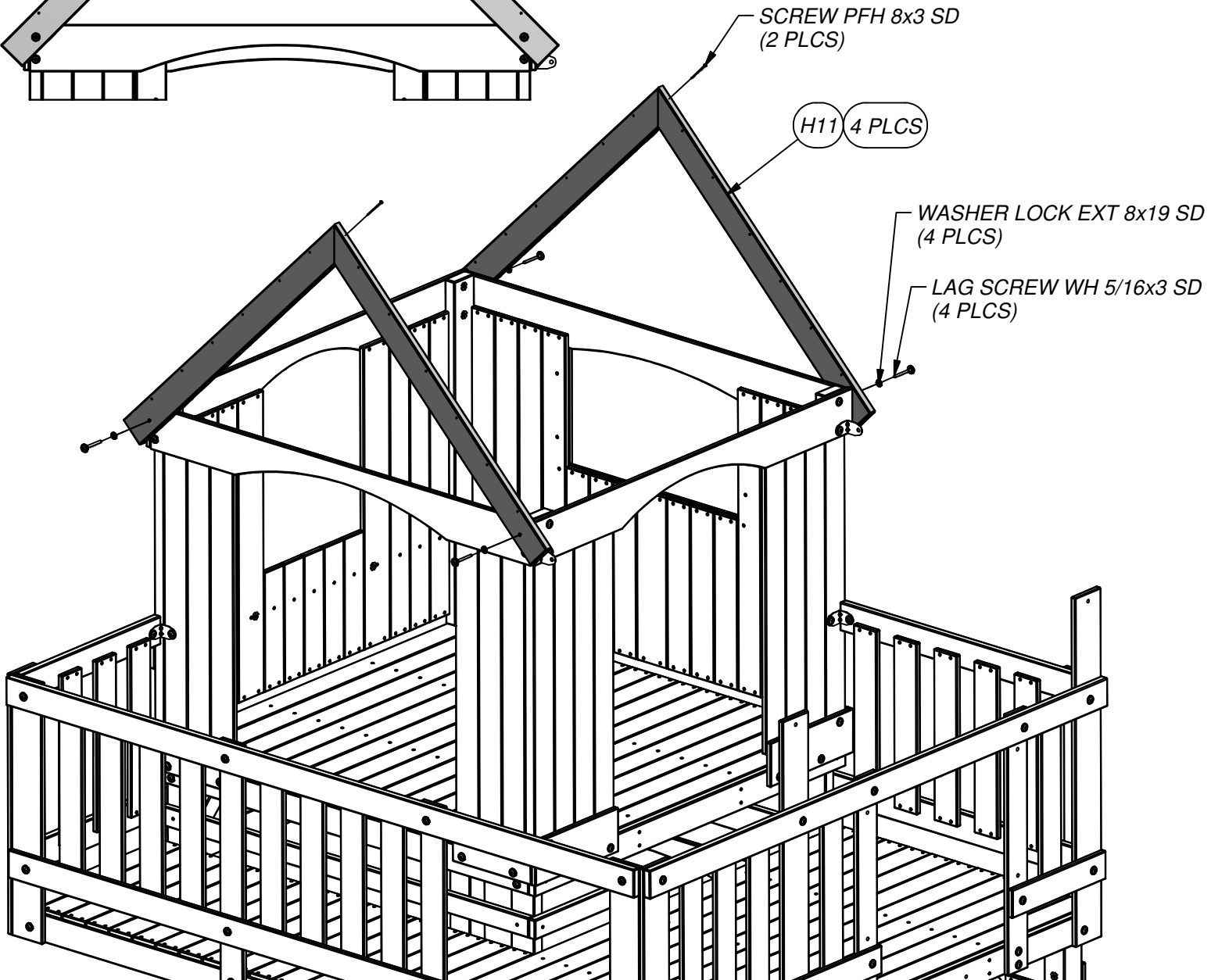
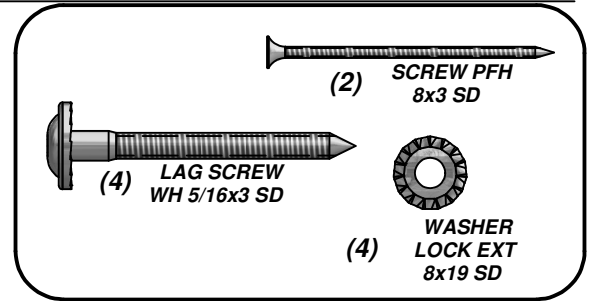
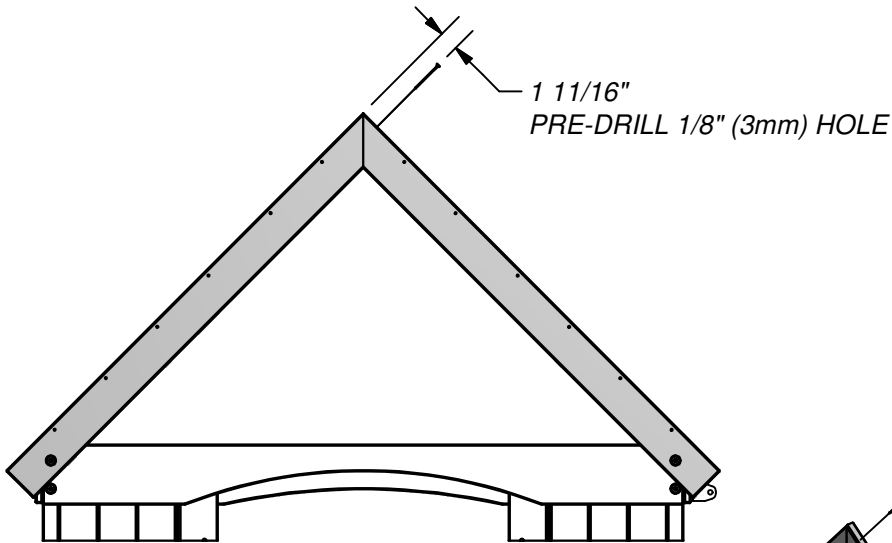


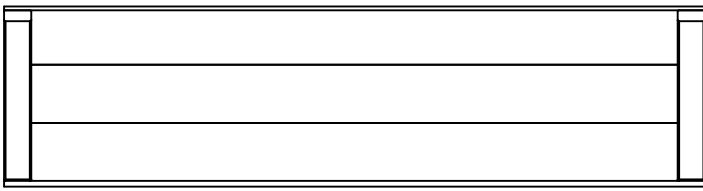
SCREW PFH 8x1 1/2 SD
(4 PLCS)



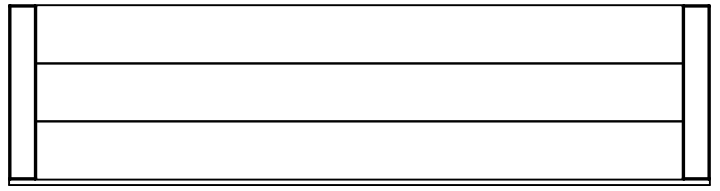
(4) **H11 - ROOF RAFTER - W4L11192**
1"x3 3/8"x43 7/8" (24x86x1114)

STEP 44

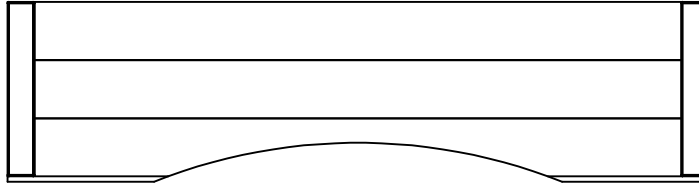




(1) **RP1 - PEAK ROOF PANEL - W2A02287**
1 5/8"x15 5/8"x60 7/8" (42x396x1546)

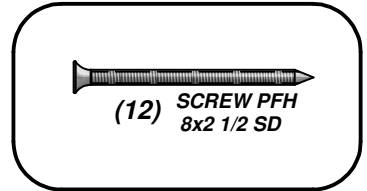


(1) **RP2 - ROOF PANEL - W2A02288**
1 5/8"x15 5/8"x60 7/8" (42x396x1546)

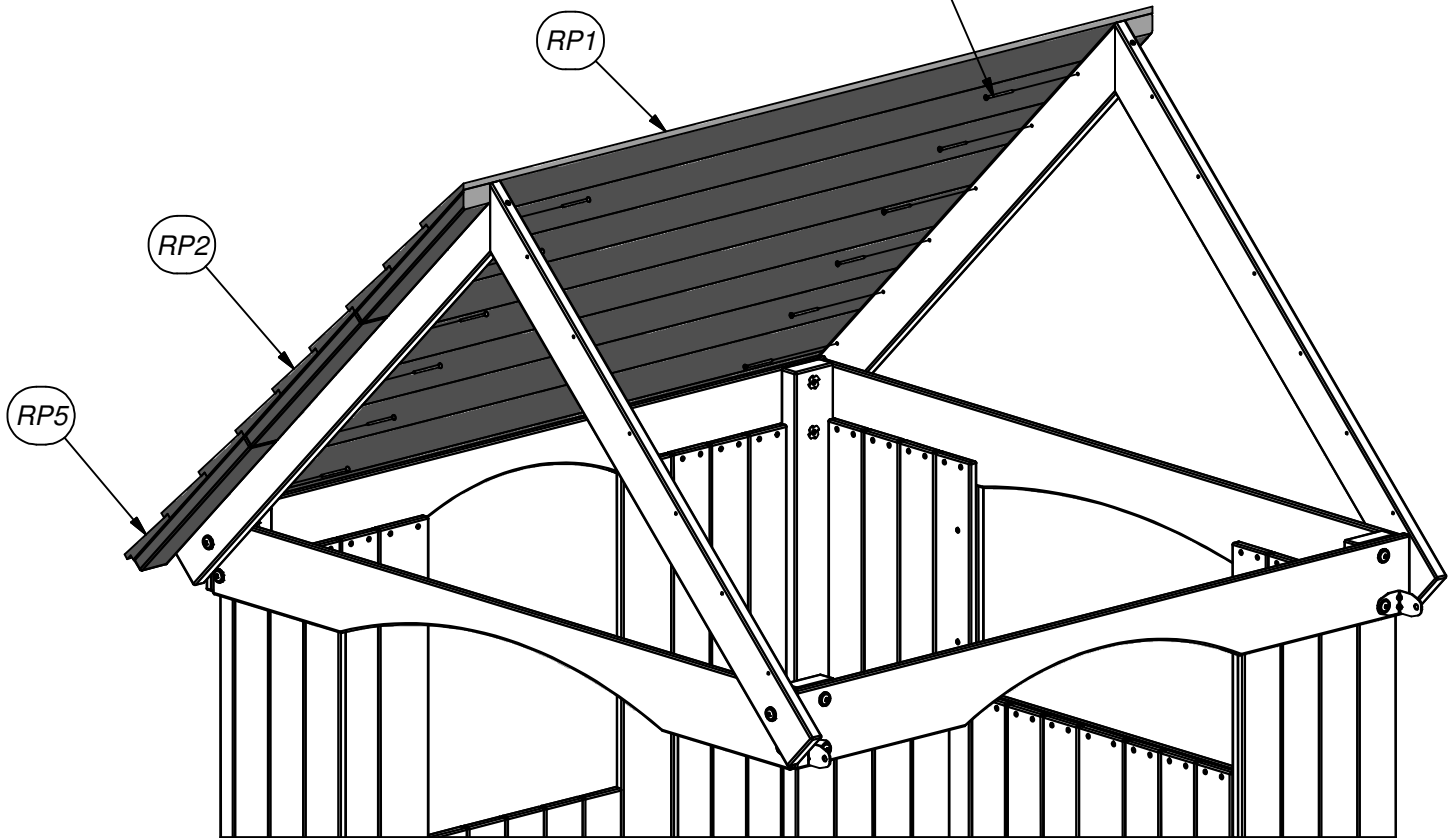


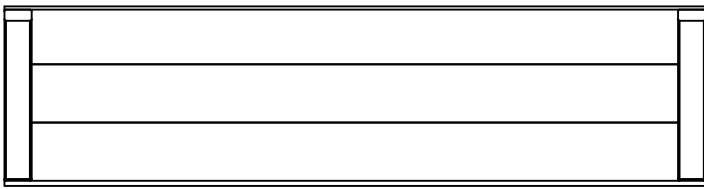
(1) **RP5 - ROOF PANEL - W2A02291**
1 5/8"x15 5/8"x60 7/8" (42x396x1546)

STEP 45

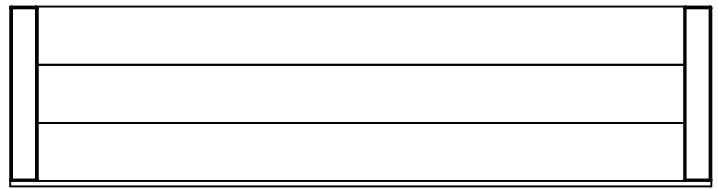


SCREW PFH 8x2 1/2 SD
(12 PLCS)



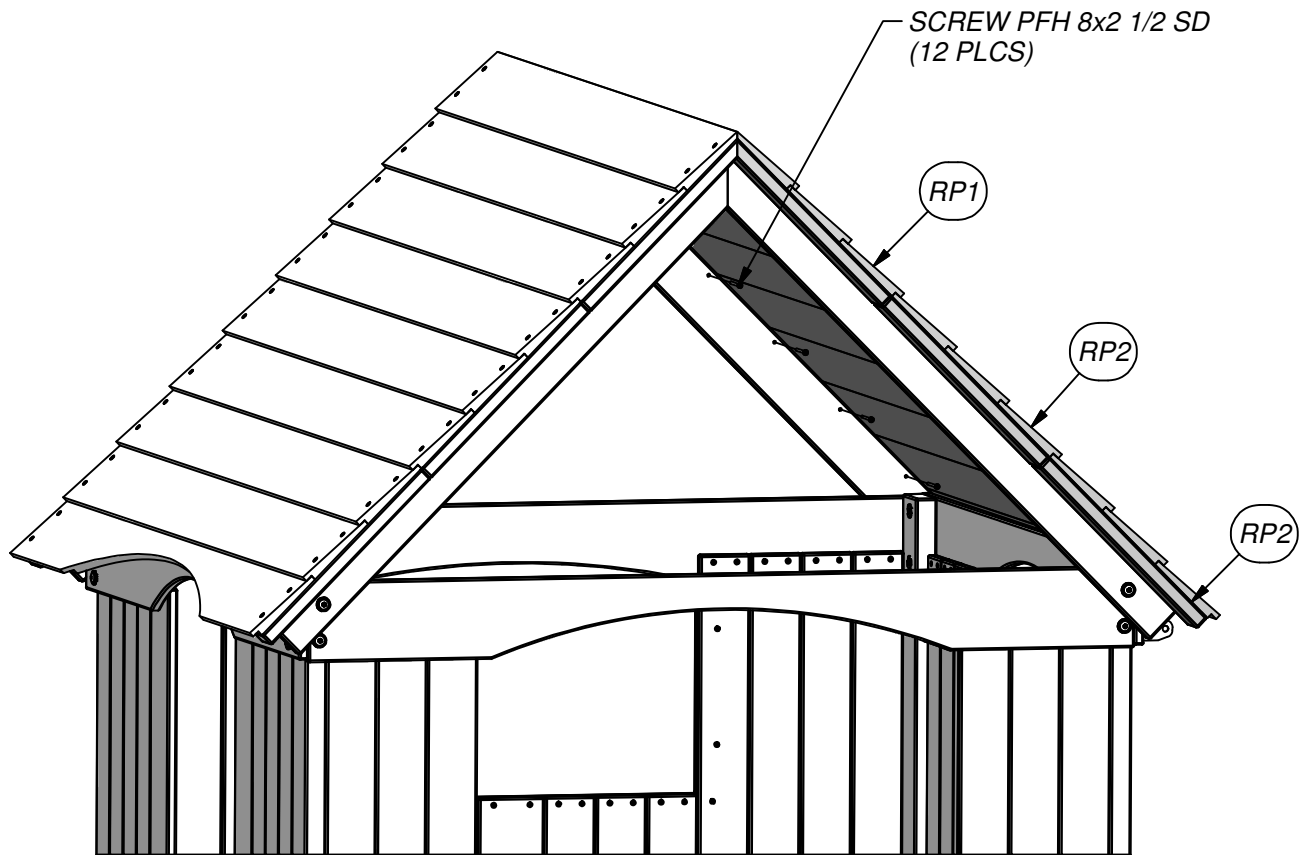


(1) **RP1 - PEAK ROOF PANEL - W2A02287**
1 5/8"x15 5/8"x60 7/8" (42x396x1546)



(2) **RP2 - ROOF PANEL - W2A02288**
1 5/8"x15 5/8"x60 7/8" (42x396x1546)

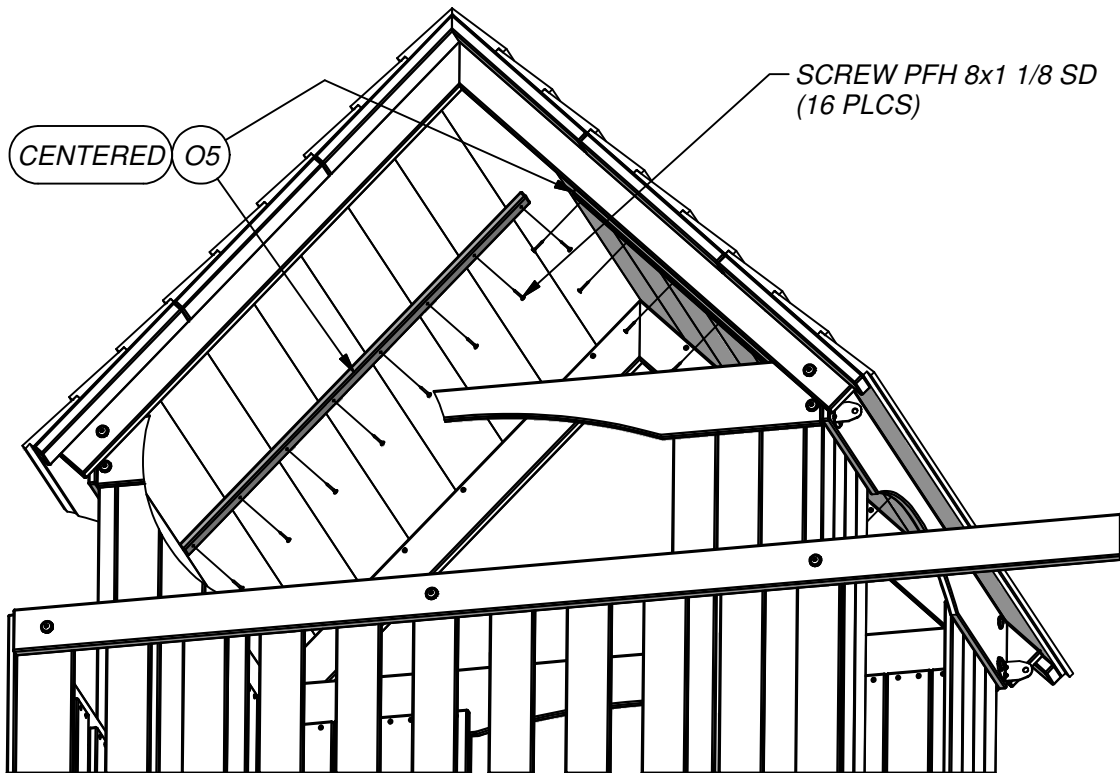
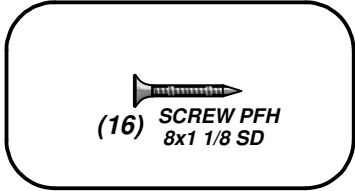
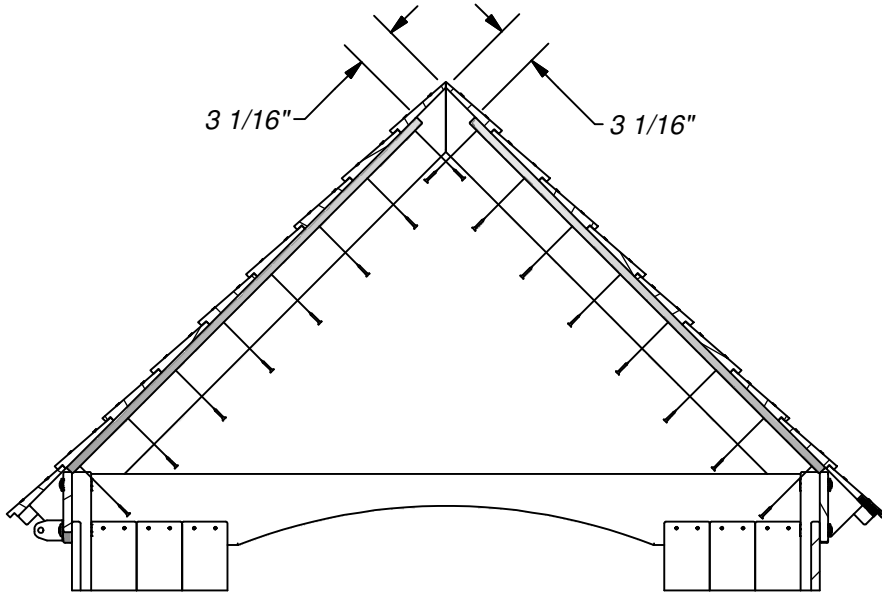
STEP 46





(2) O5 - CLEAT - W4L11237
5/8"x1 3/8"x36 7/8" (16x34x936)

STEP 47





(2) K91 - GABLE BOARD - W4L11200
3/8"x3 3/8"x49 5/8" (11x86x1260)



(2) K94 - GABLE BOARD - W4L11203
3/8"x3 3/8"x30 1/2" (11x86x774)



(2) K92 - GABLE BOARD - W4L11201
3/8"x3 3/8"x43 1/4" (11x86x1098)



(2) K95 - GABLE BOARD - W4L11204
3/8"x3 3/8"x24 1/8" (11x86x612)



(2) K97 - GABLE BOARD - W4L11206
3/8"x3 3/8"x11 3/8" (11x86x288)



(2) K93 - GABLE BOARD - W4L11202
3/8"x3 3/8"x36 7/8" (11x86x936)



(2) K96 - GABLE BOARD - W4L11205
3/8"x3 3/8"x17 3/4" (11x86x450)

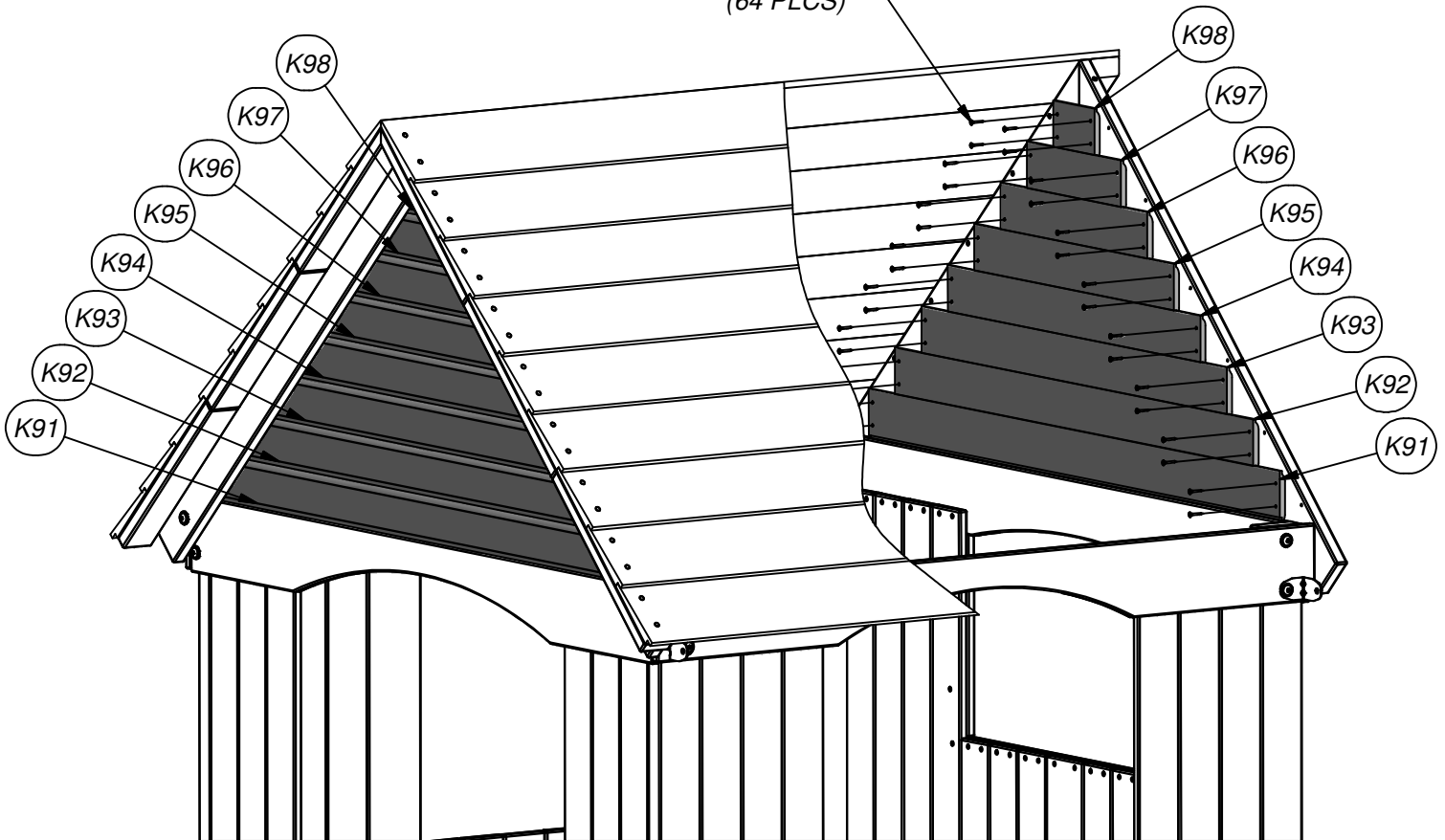


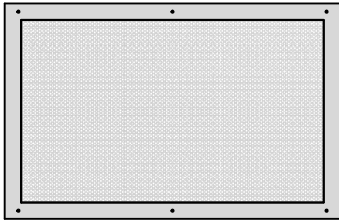
(2) K98 - GABLE BOARD - W4L11207
3/8"x3 3/8"x5" (11x86x126)

STEP 48

 (64) SCREW PFH
8x1 1/8 SD

SCREW PFH 8x1 1/8 SD
(64 PLCS)





(1) HP - MESH PANEL - A100012

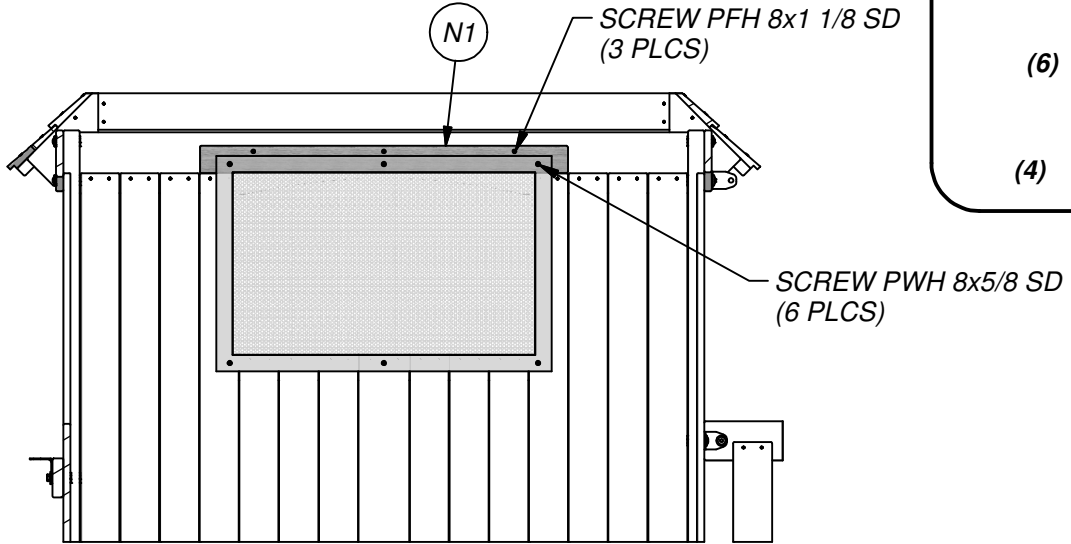


(1) N1 - WALL BOARD - W4L11235
5/8"x2 3/8"x32" (16x60x812)



(1) HC - BYD ID TAG (LARGE) 2011 WITH AGES - A100164

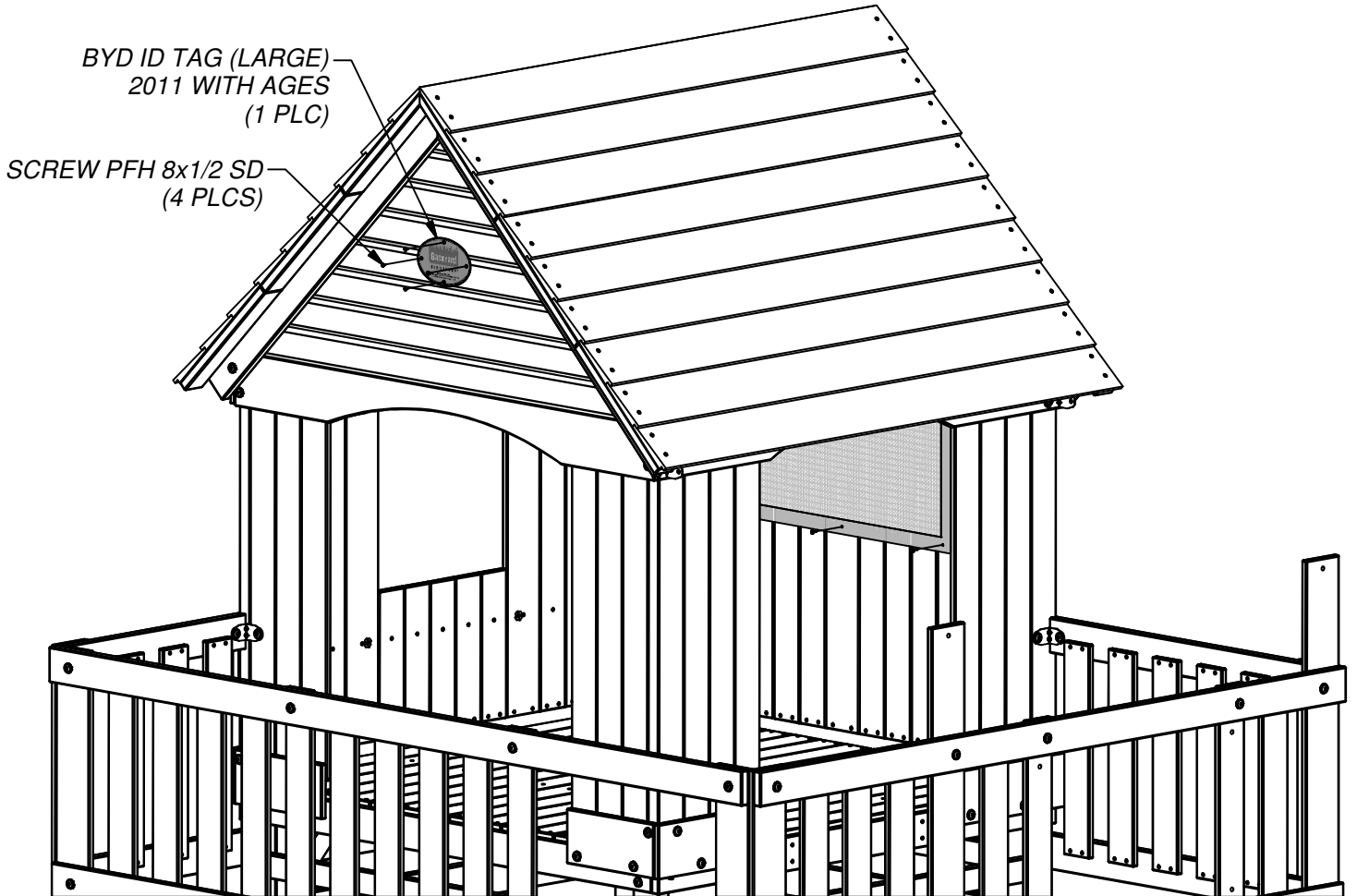
STEP 49



(3) SCREW PFH
8x1 1/8 SD

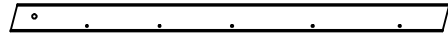
(6) SCREW PWH
8x5/8 SD

(4) SCREW PFH
8x1/2 SD



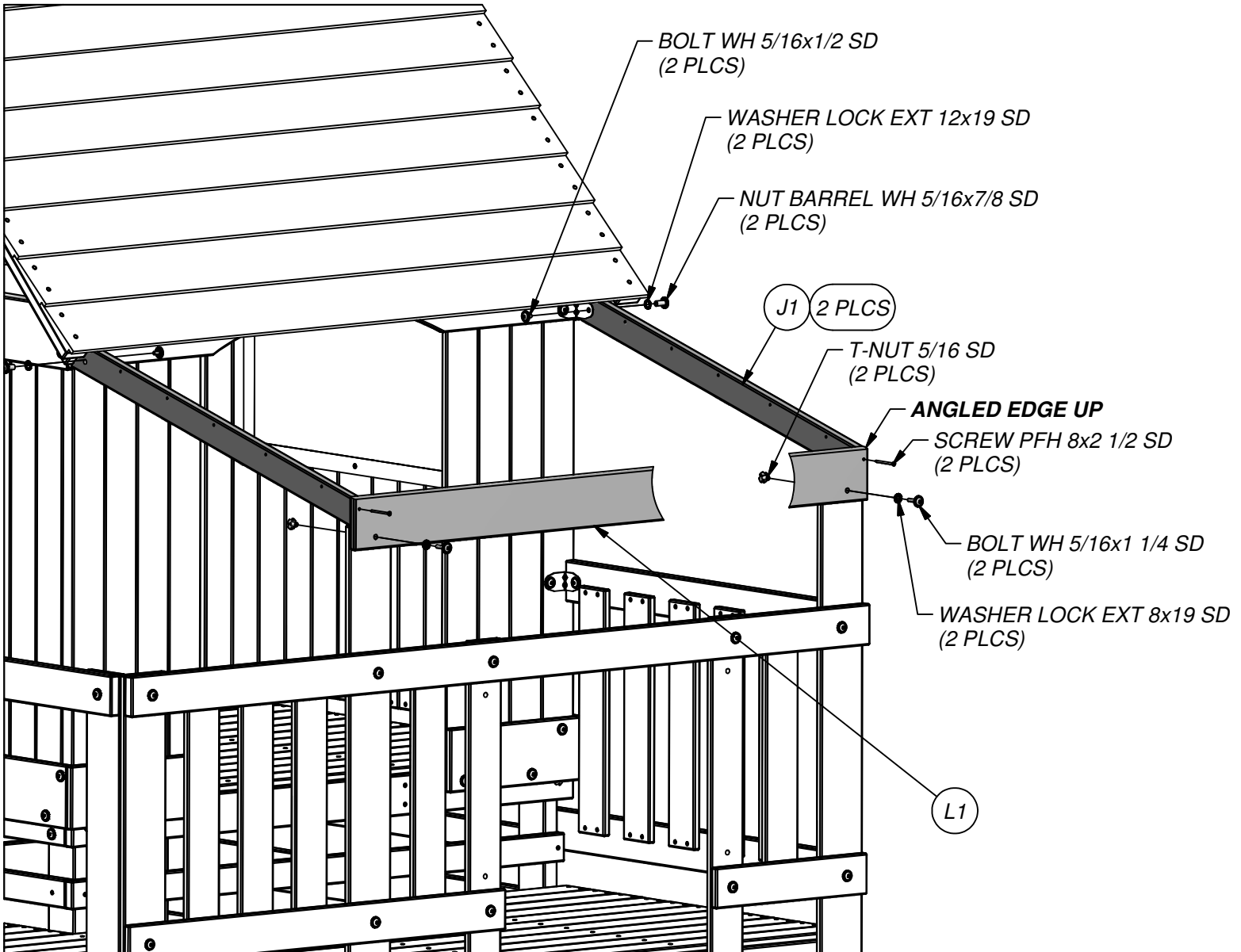
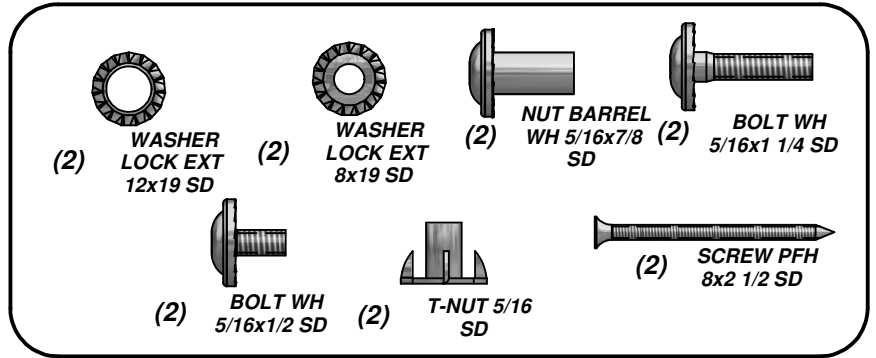


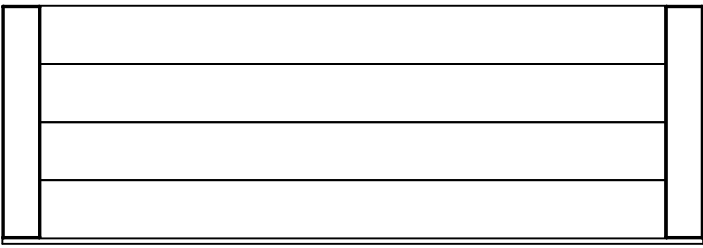
(1) L1 - WALL BOARD - W4L11208
5/8"x4 3/8"x54 1/4" (16x112x1378)



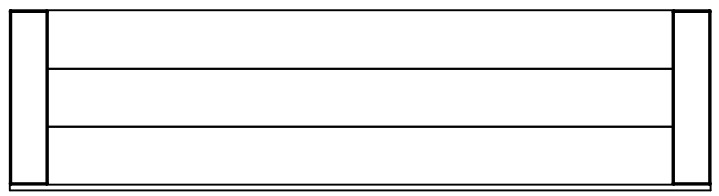
(2) J1 - PORCH RAFTER - W4L11197
1"x2 3/8"x38 1/8" (24x60x969)

STEP 50





(1) **RP3 - PORCH PANEL - W2A02289**
 1 5/8"x20 5/8"x60 7/8" (42x524x1546)

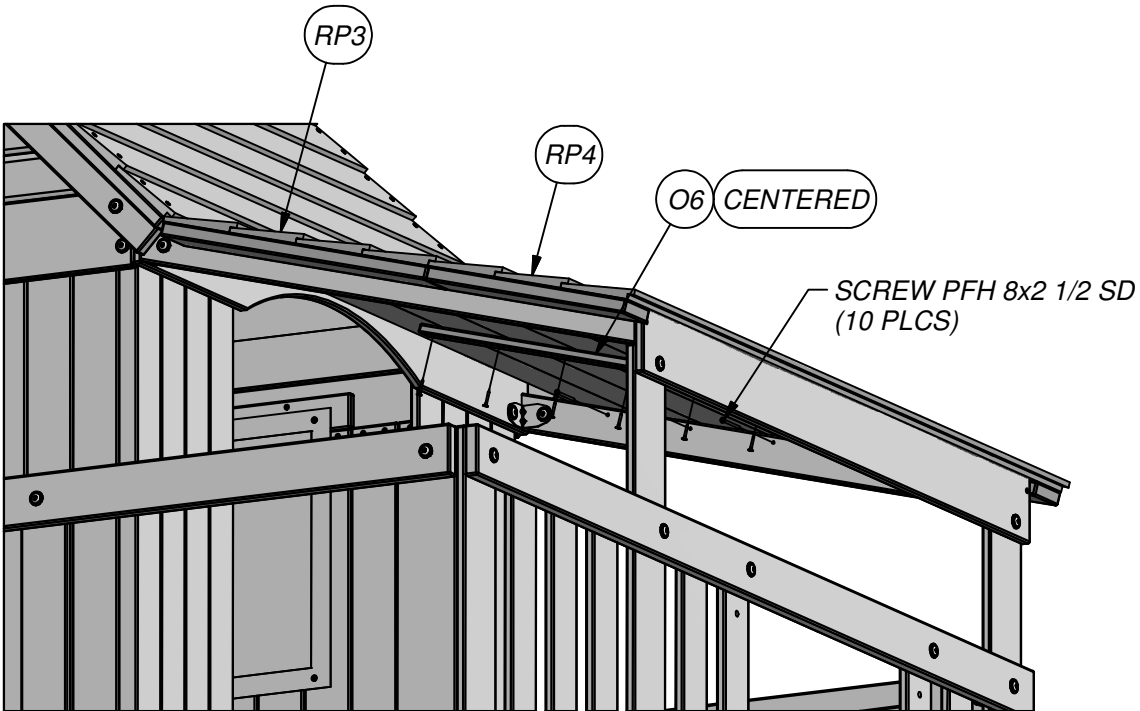
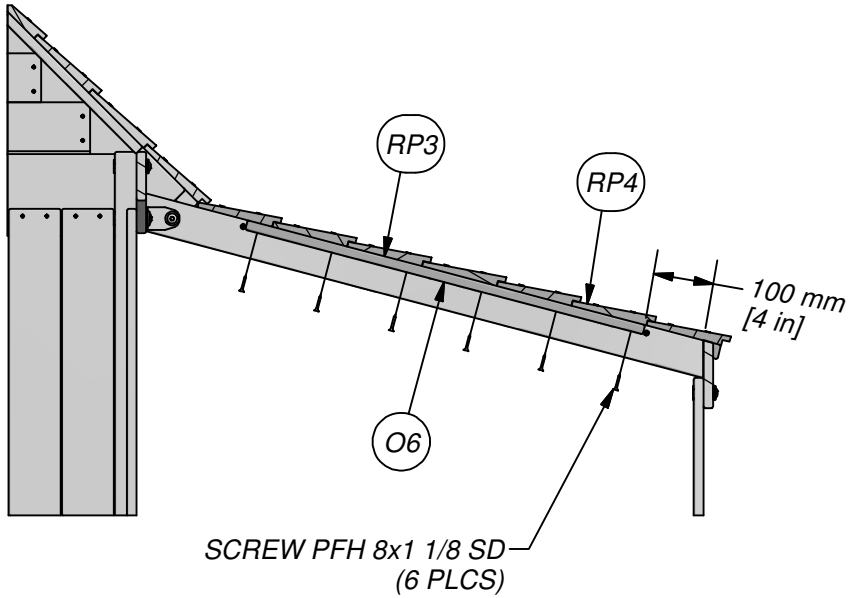
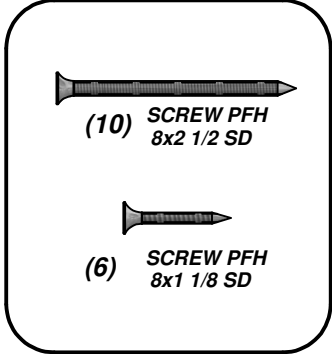


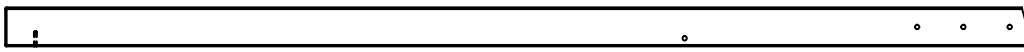
(1) **RP4 - PORCH PANEL - W2A02290**
 1 5/8"x15 5/8"x60 7/8" (42x396x1546)



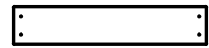
(1) **O6 - CLEAT - W4L11238**
 5/8"x1 3/8"x26 3/4" (16x34x680)

STEP 51





(2) **E2 - LADDER RAIL - W4L09100**
 1 3/8"x3 3/8"x89 1/4" (36x86x2266)



(1) **M23 - LADDER RUNG - W4L09099**
 5/8"x3 3/8"x16 7/8" (16x86x429)

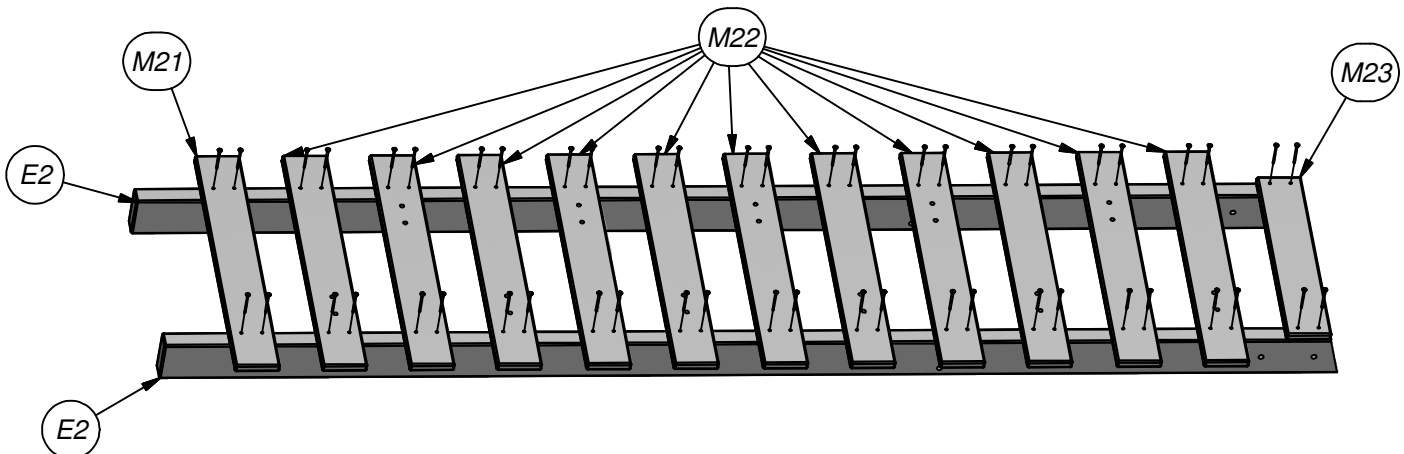
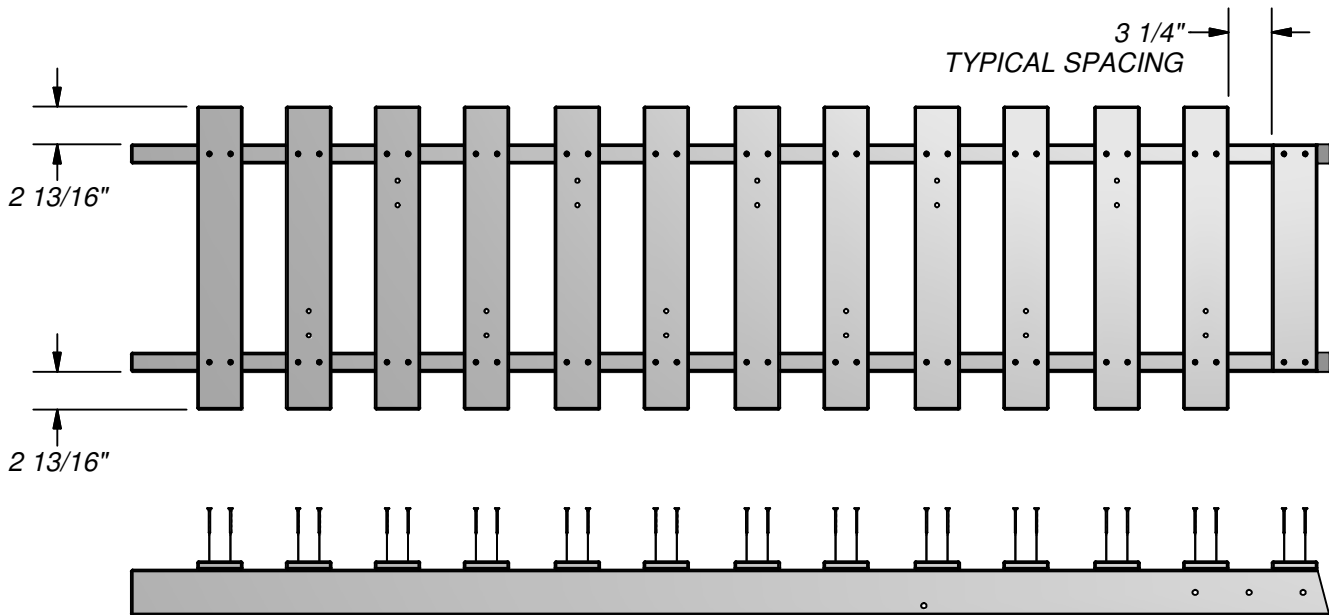
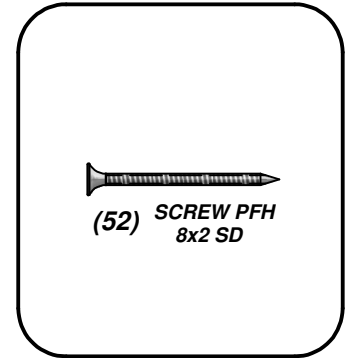


(1) **M21 - LADDER RUNG - W4L09102**
 5/8"x3 3/8"x22 1/2" (16x86x572)



(11) **M22 - LADDER RUNG - W4L09101**
 5/8"x3 3/8"x22 1/2" (16x86x572)

STEP 52





(5) - GREEN HC ROCK #2 - A6P00037



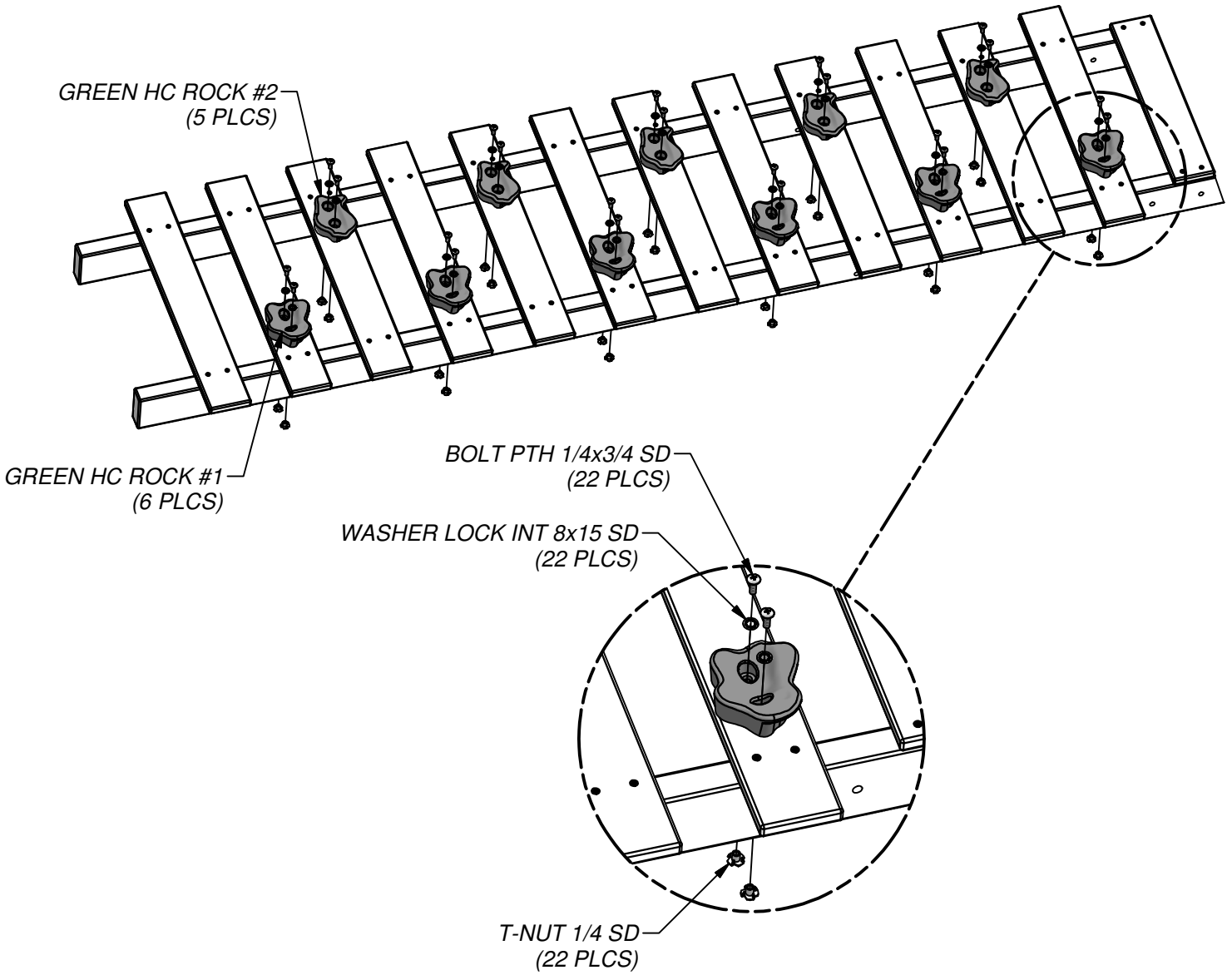
(6) - GREEN HC ROCK #1 - A6P00036

STEP 53

(22) BOLT PTH
1/4x3/4 SD

(22) WASHER
LOCK INT
8x15 SD

(22) T-NUT 1/4 SD



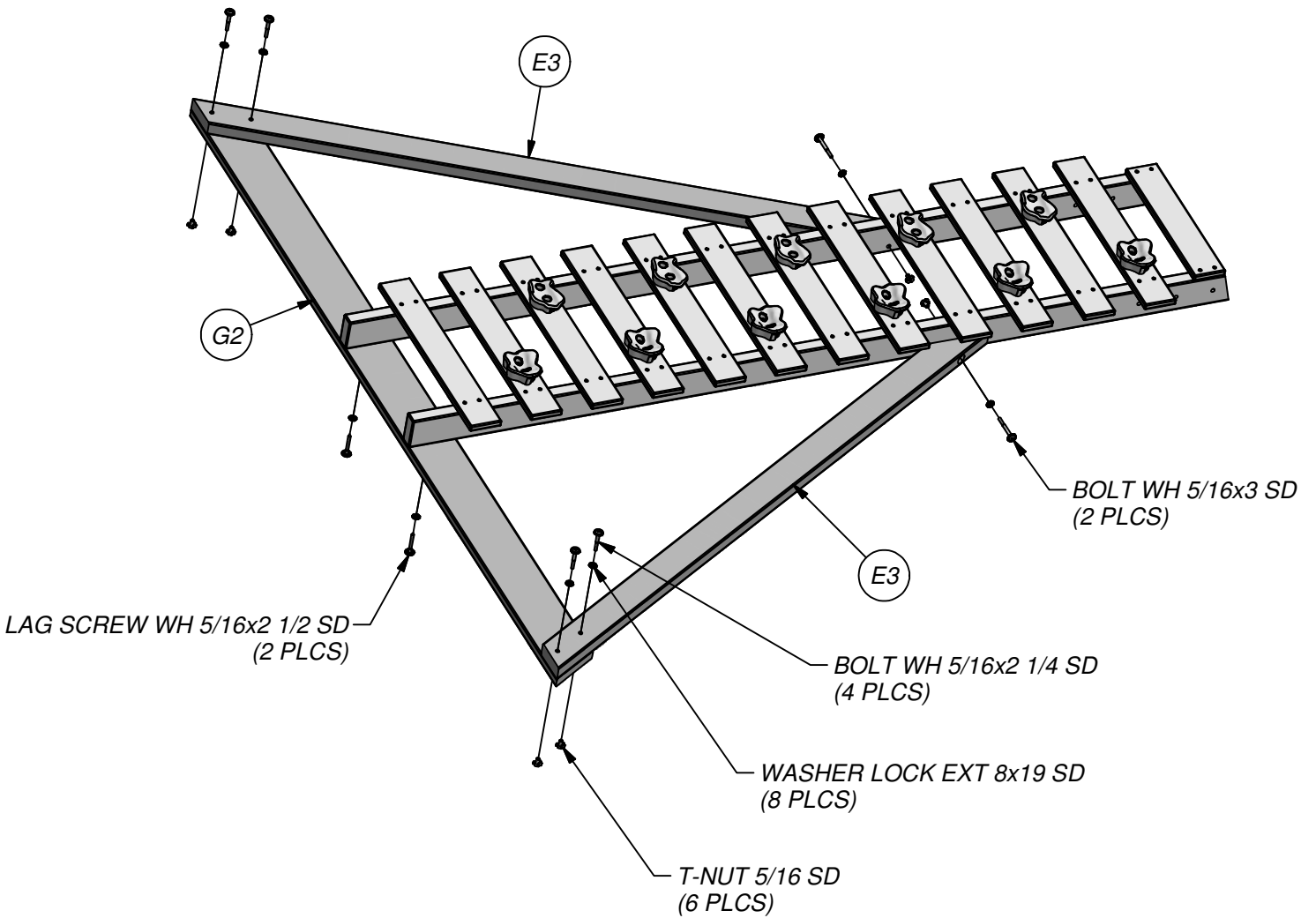
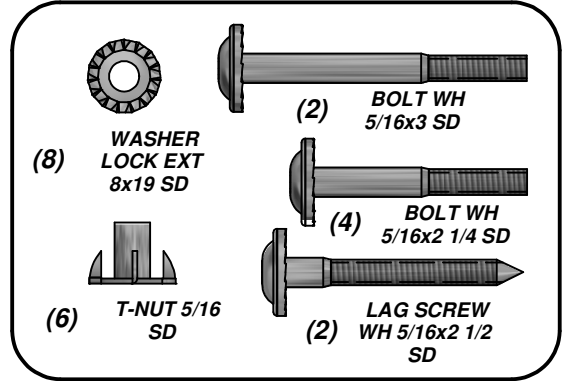


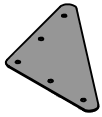
(2) **E3 - BRACE - W4L09103**
1 3/8"x3 3/8"x72 5/8" (36x86x1845)



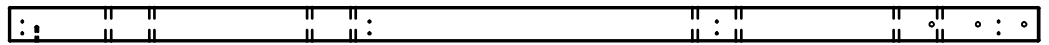
(1) **G2 - GROUND BOARD - W4L09104**
1"x5 1/4"x89 1/2" (24x134x2274)

STEP 54





(2) DD - TRIANGLE PLATE 105 5 HOLE - A100005

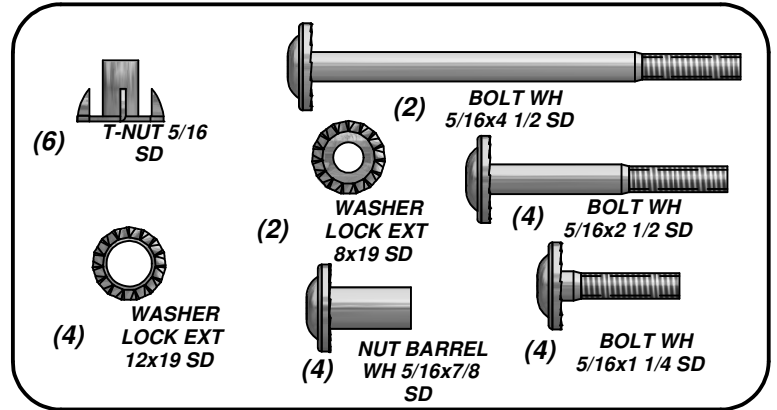


(1) B1 - SWING BEAM - W4L09091
3"x3"x89 1/2" (76x76x2274)



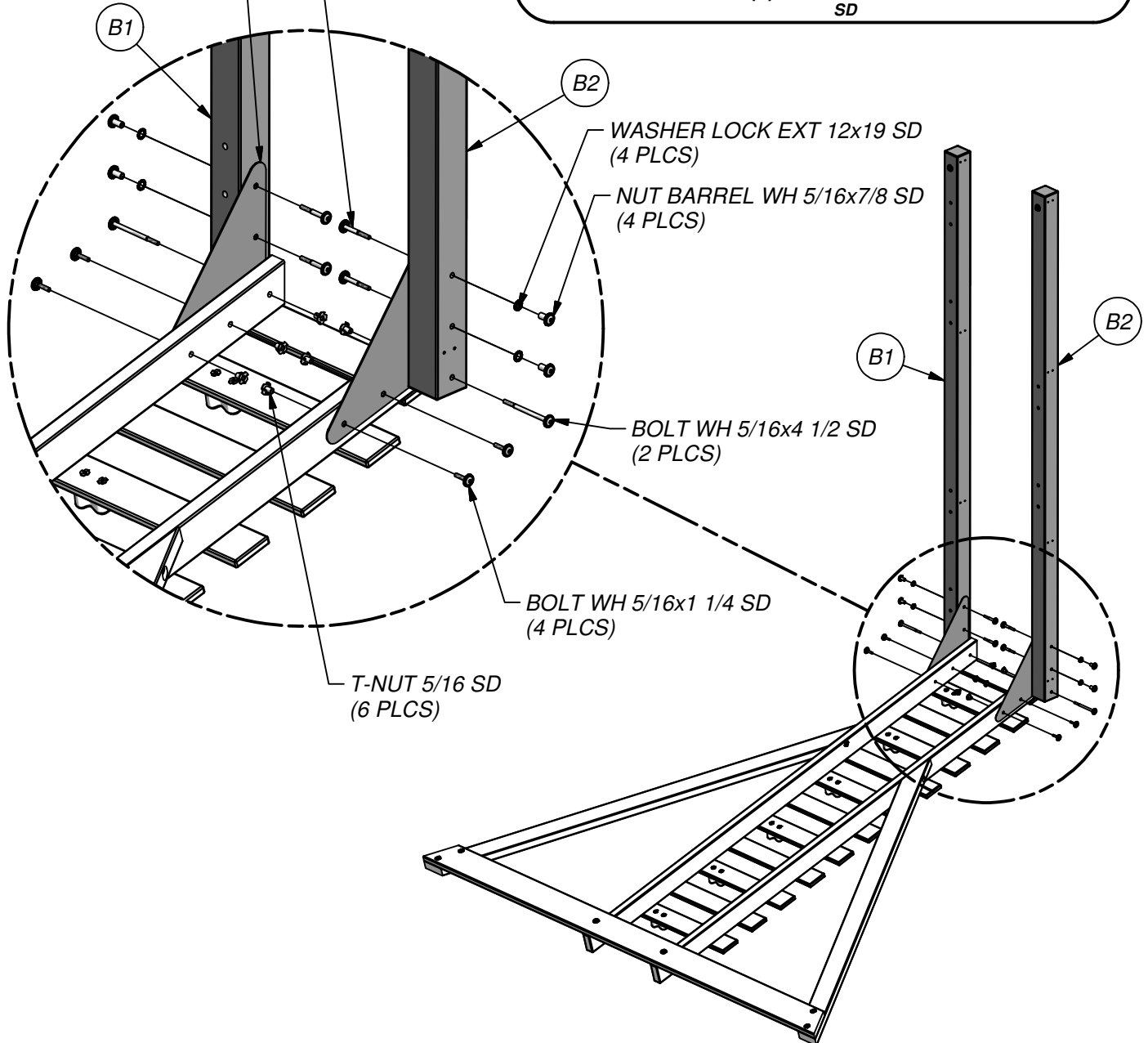
(1) B2 - SWING BEAM - W4L09090
3"x3"x89 1/2" (76x76x2274)

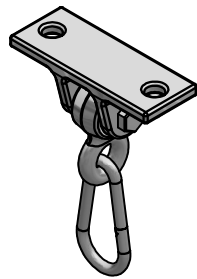
STEP 55



BOLT WH 5/16x2 1/2 SD
(4 PLCS)

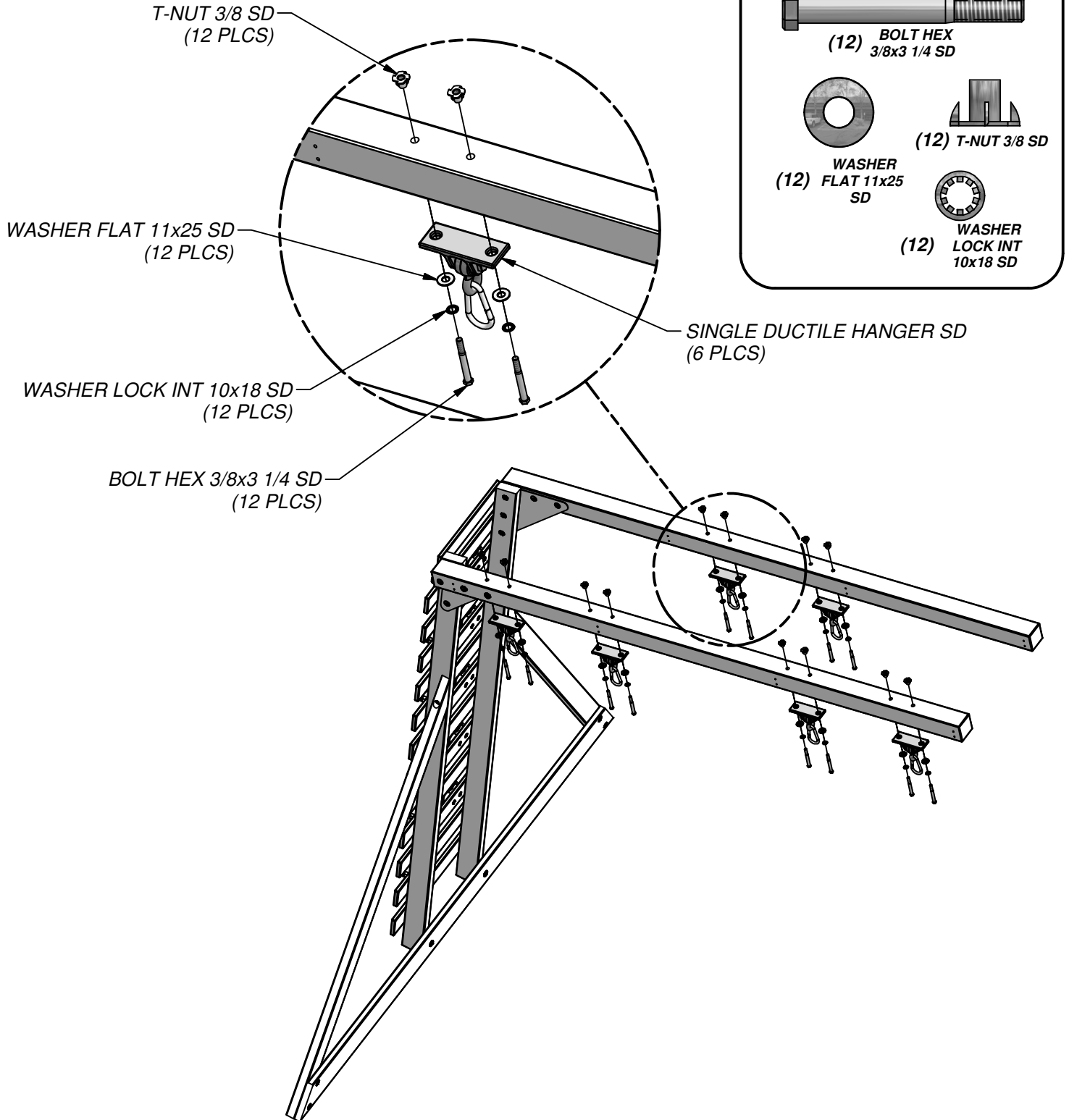
TRIANGLE PLATE 105 5 HOLE
(2 PLCS)



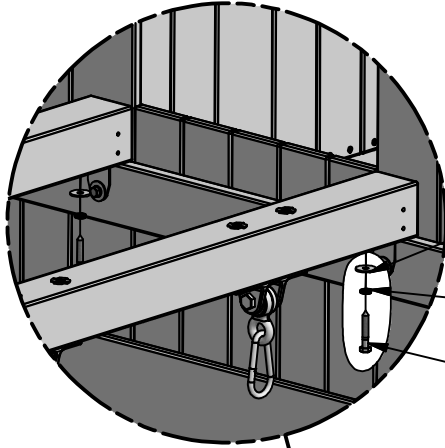


(6) SINGLE DUCTILE HANGER SD - A4M00926

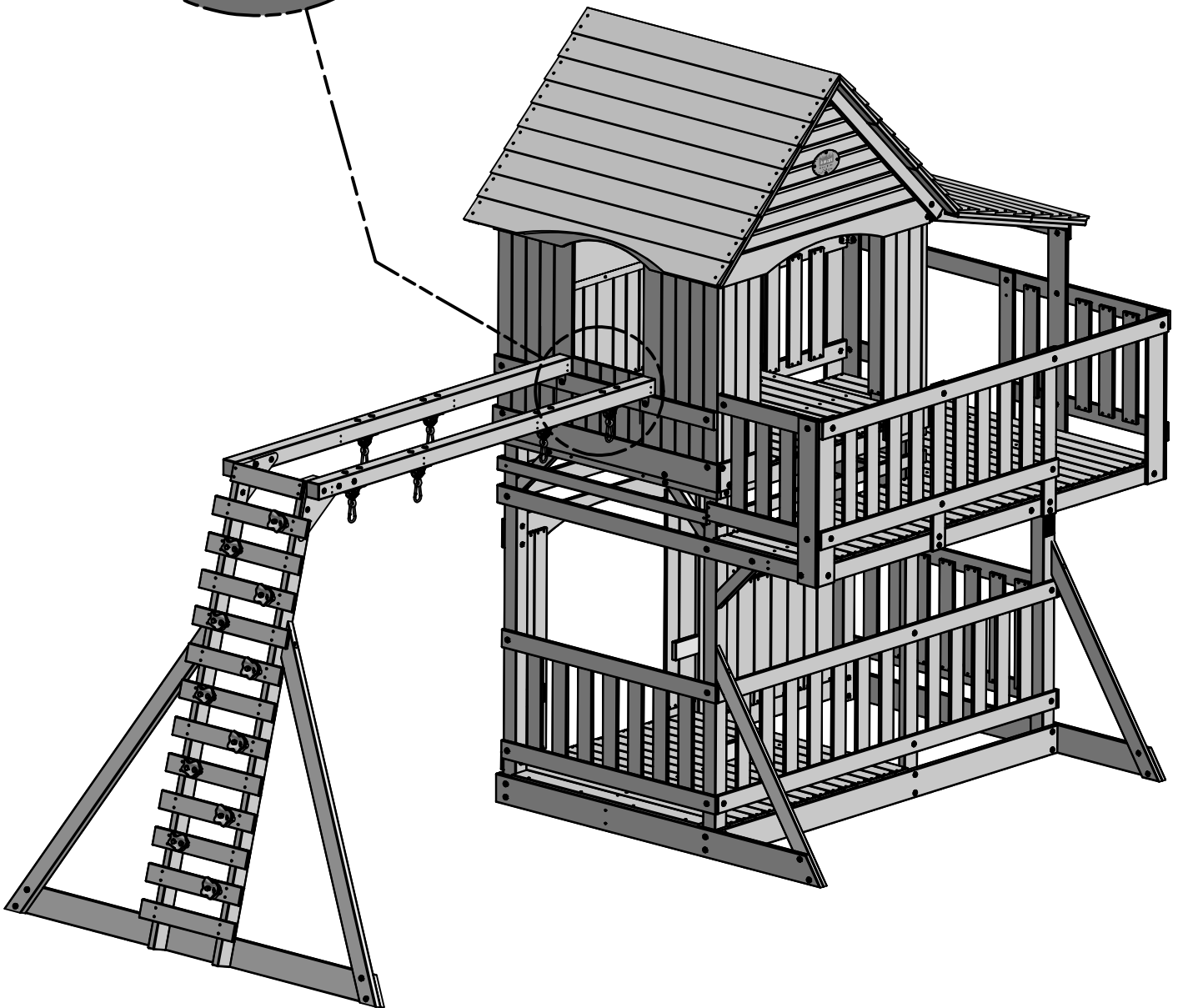
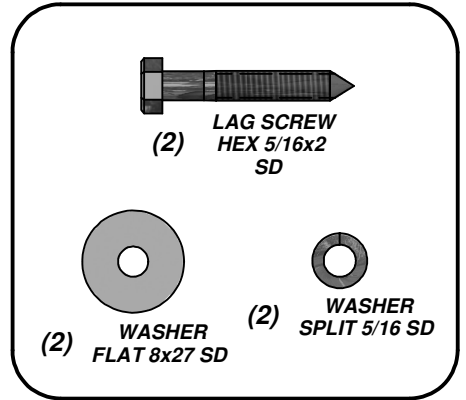
STEP 56



STEP 57

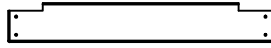


- WASHER FLAT 8x27 SD
(2 PLCS)
- WASHER SPLIT 5/16 SD
(2 PLCS)
- LAG SCREW HEX 5/16x2 SD
(2 PLCS)

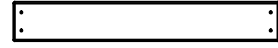




(1) **K12 - FLOOR BOARD - W4L11198**
5/8"x5 1/4"x23 1/8" (16x134x586)

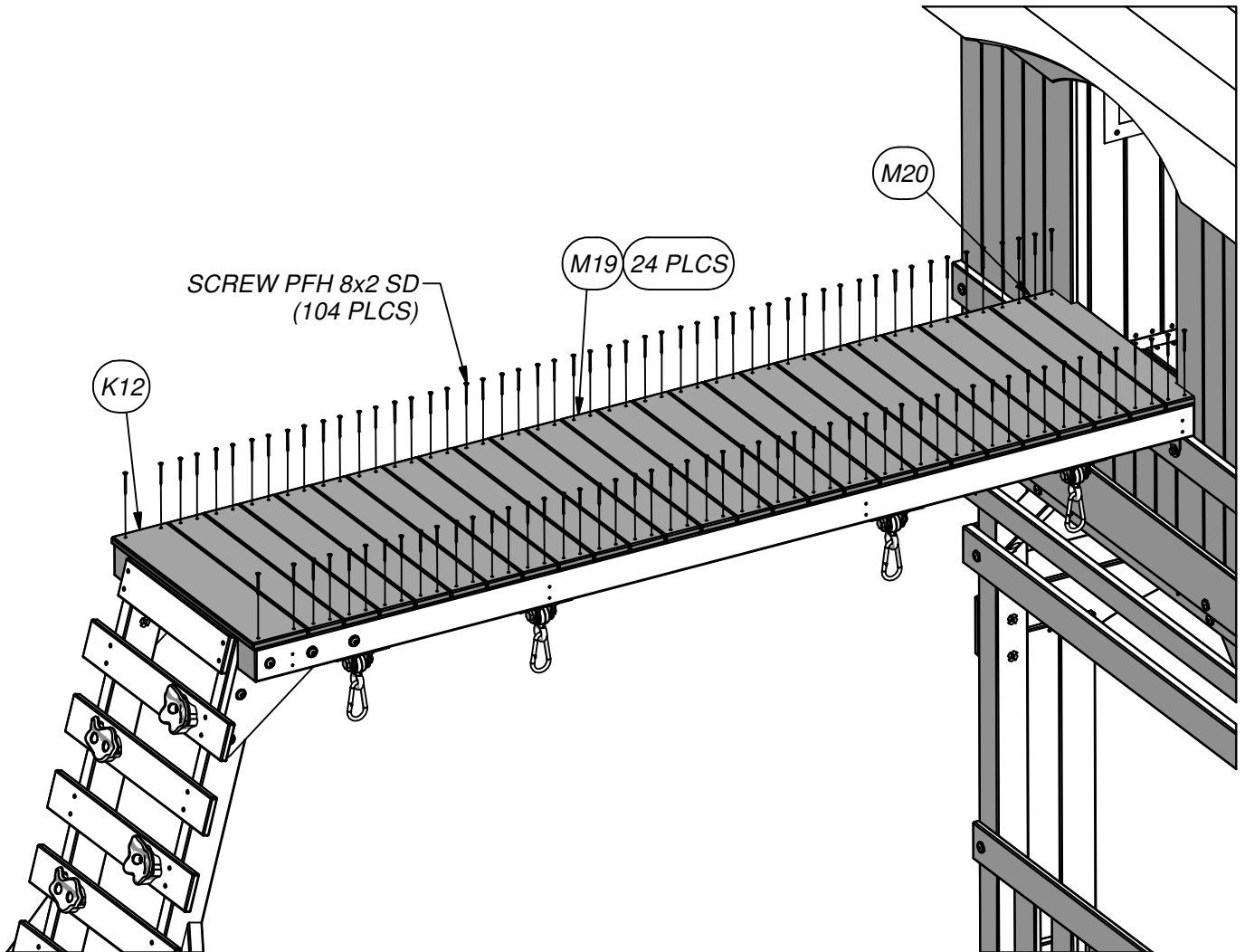
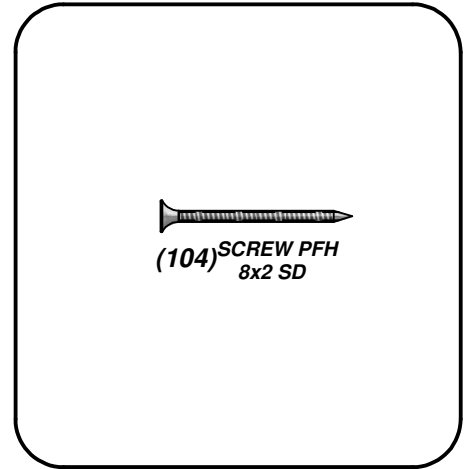


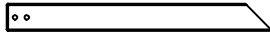
(1) **M20 - FLOOR BOARD - W4L11230**
5/8"x3 3/8"x23 1/8" (16x86x586)



(24) **M19 - FLOOR BOARD - W4L11229**
5/8"x3 3/8"x23 1/8" (16x86x586)

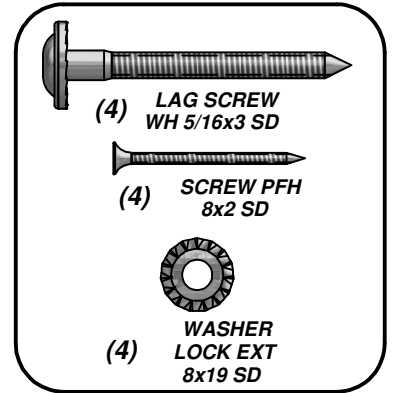
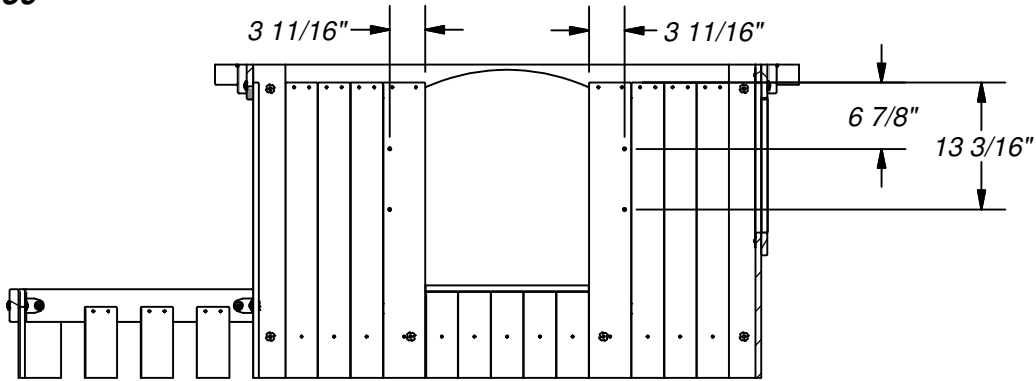
STEP 58



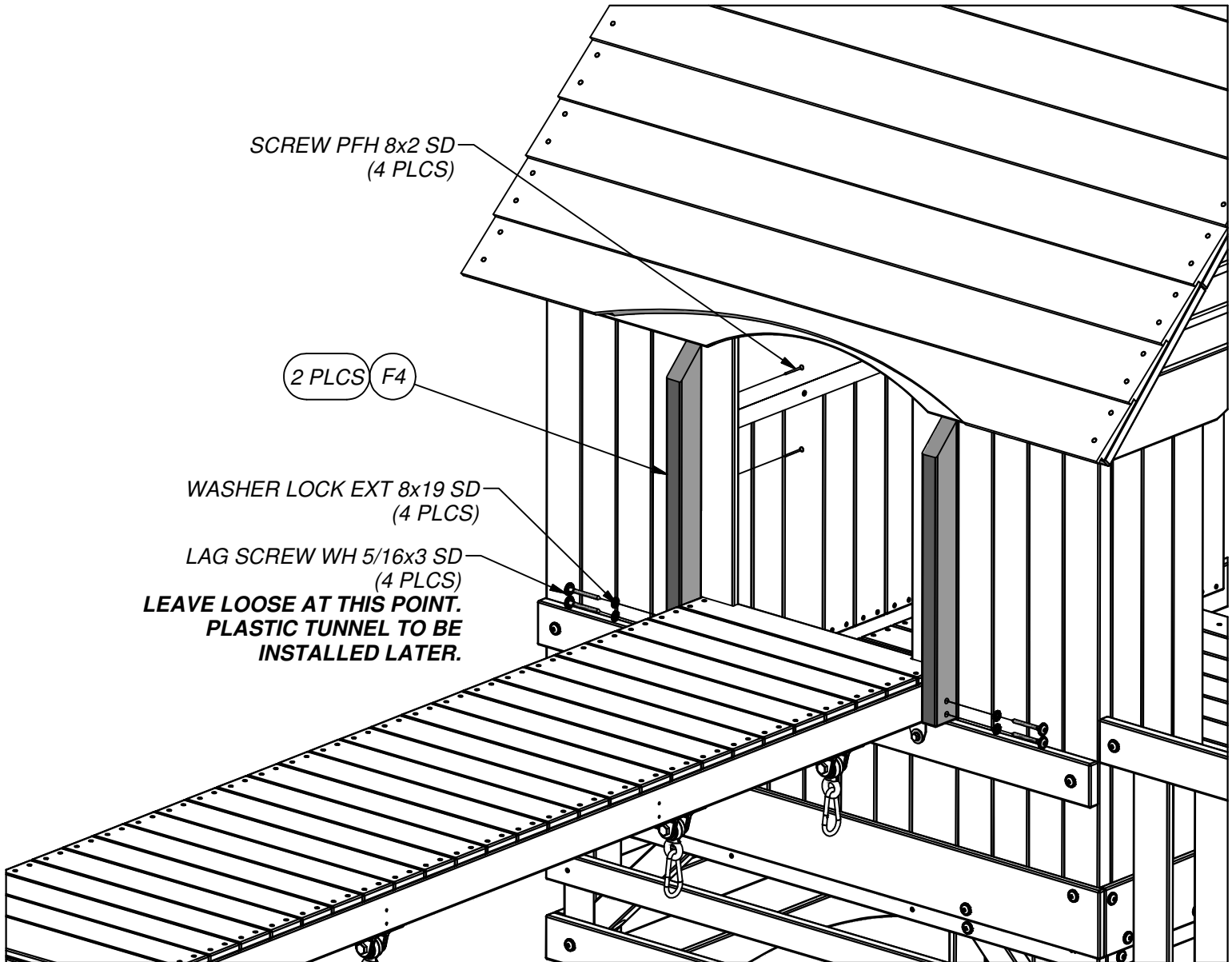


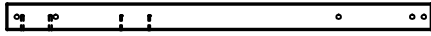
(2) **F4 - UPRIGHT - W4L09063**
 1 3/8"x2 3/8"x23 1/8" (36x60x586)

STEP 59



NOTE:
DRILL 3/16" (5 MM) HOLES WHERE INDICATED.



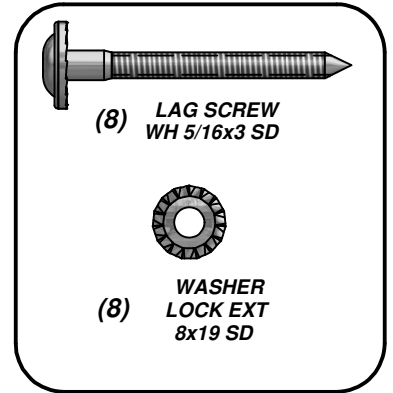


(2) **F2 - UPRIGHT - W4L11186**
1 3/8"x2 3/8"x37" (36x60x940)



(2) **F3 - UPRIGHT - W4L09093**
1 3/8"x2 3/8"x28 1/4" (36x60x716)

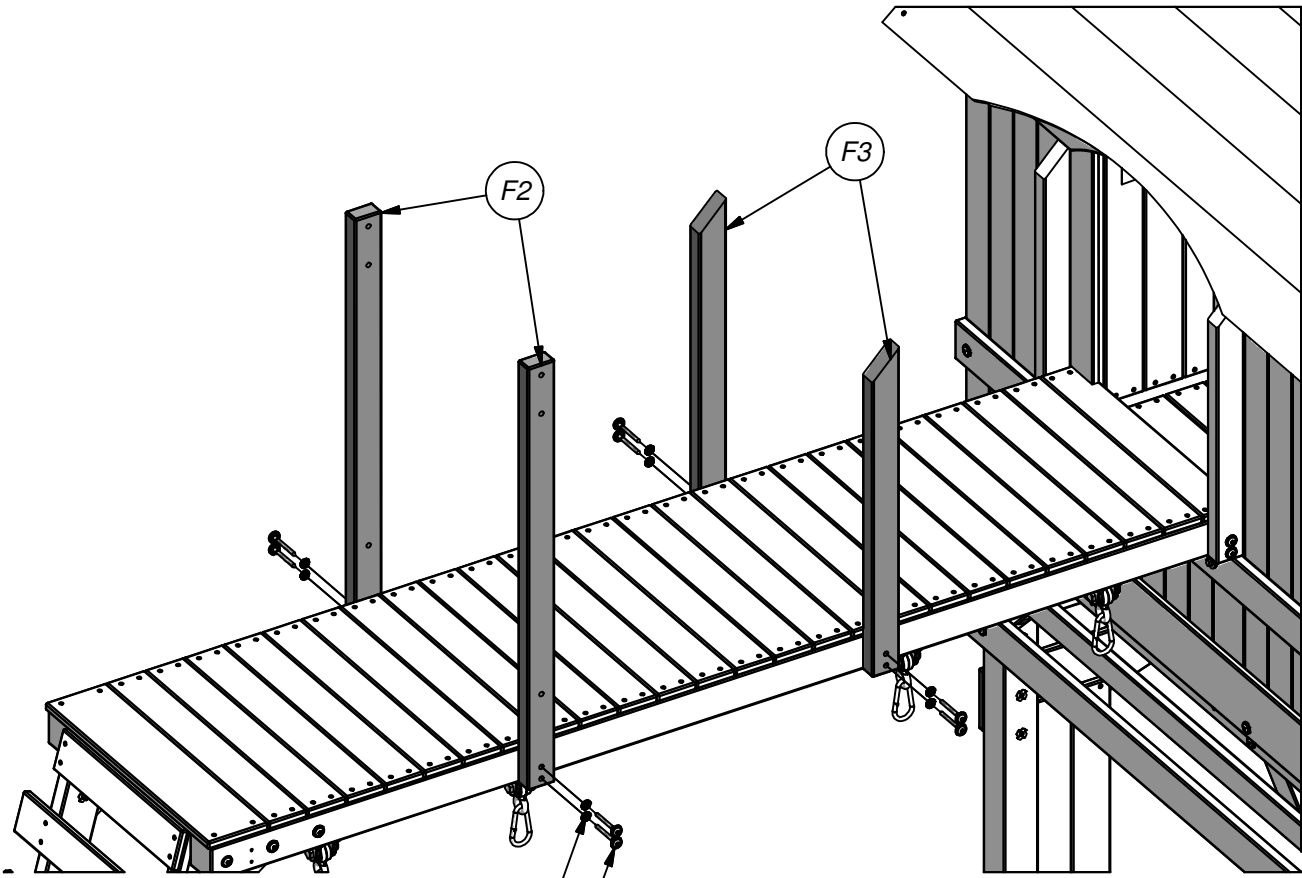
STEP 60



(8) **LAG SCREW**
WH 5/16x3 SD



(8) **WASHER**
LOCK EXT
8x19 SD



WASHER LOCK EXT 8x19 SD
(8 PLCS)

LAG SCREW WH 5/16x3 SD
(8 PLCS)

LEAVE LOOSE AT THIS TIME.
PLASTIC TUNNEL TO BE
INSTALLED LATER.

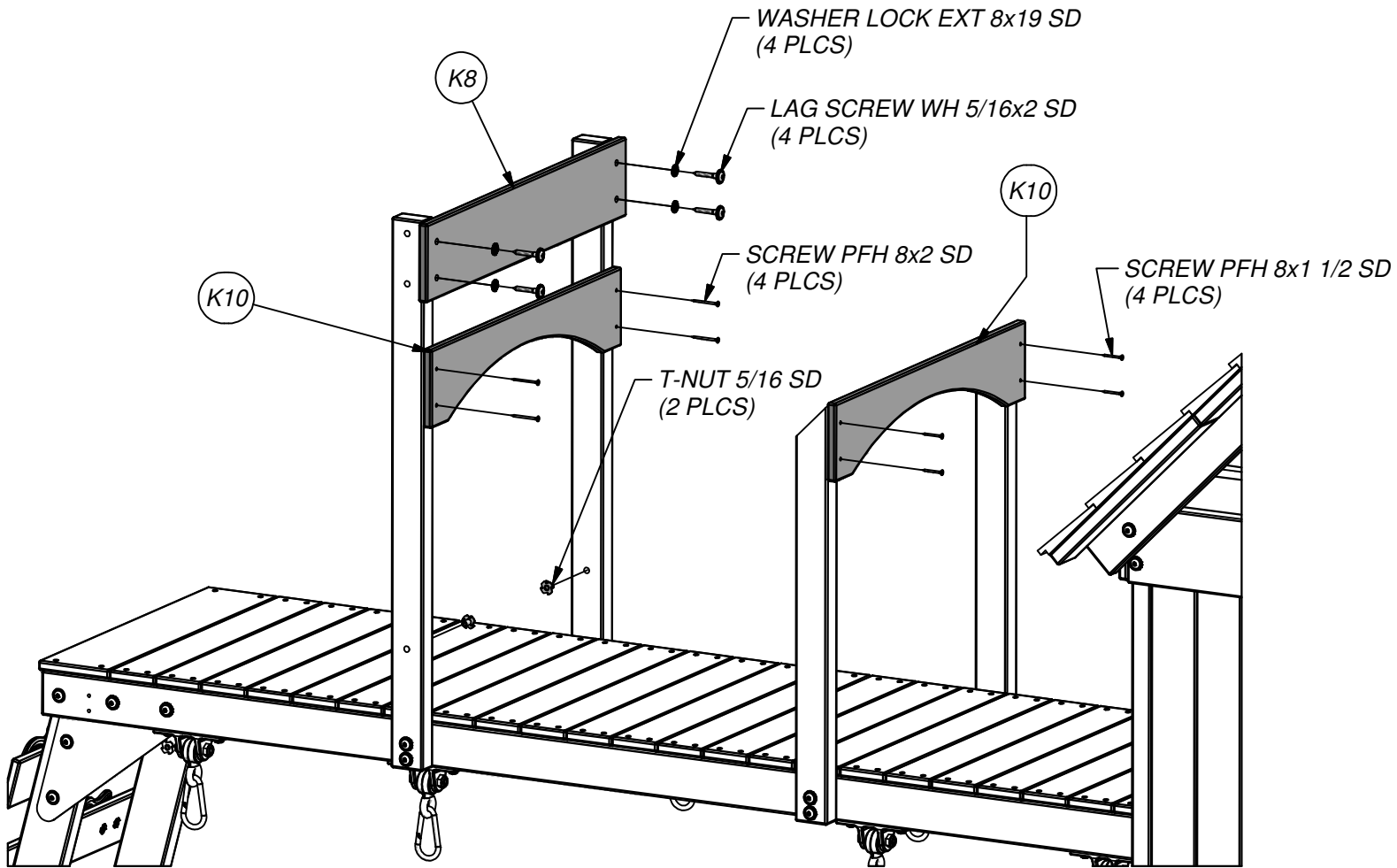
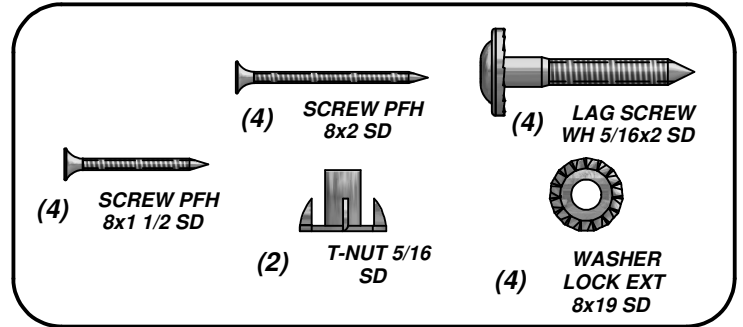


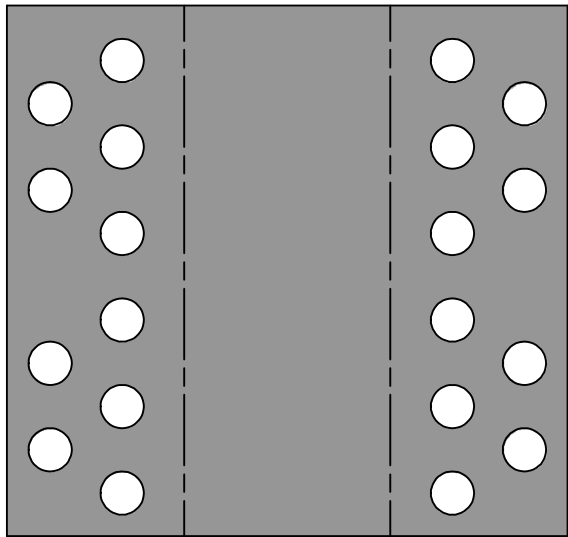
(1) **K8 - WALL RAIL - W4L09097**
5/8"x5 1/4"x27 1/8" (16x134x690)



(2) **K10 - ARCHED RAIL - W4L09094**
5/8"x5 1/4"x25 7/8" (16x134x658)

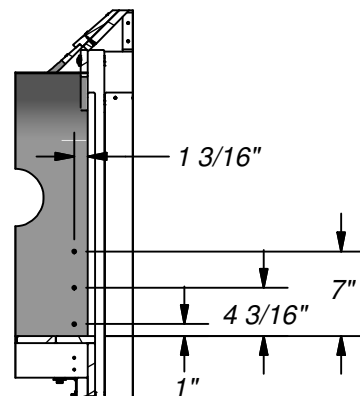
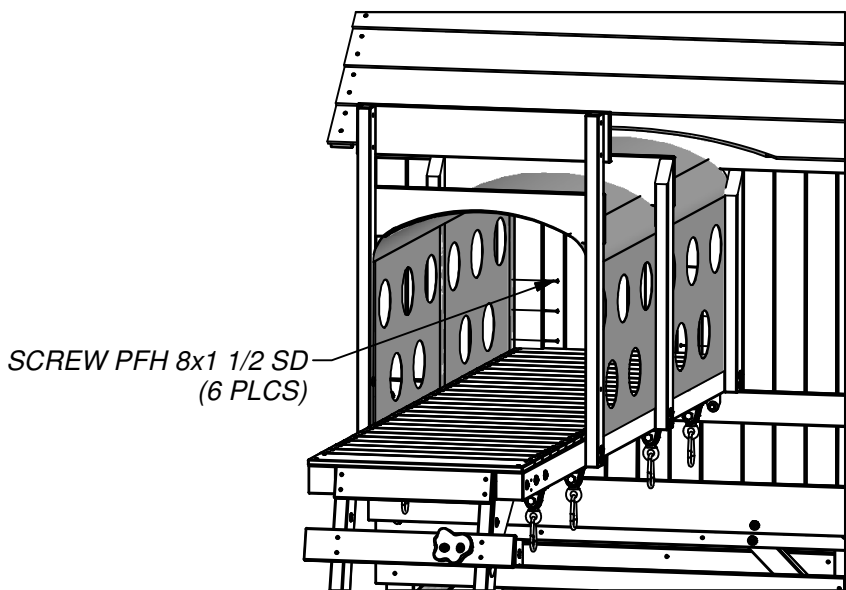
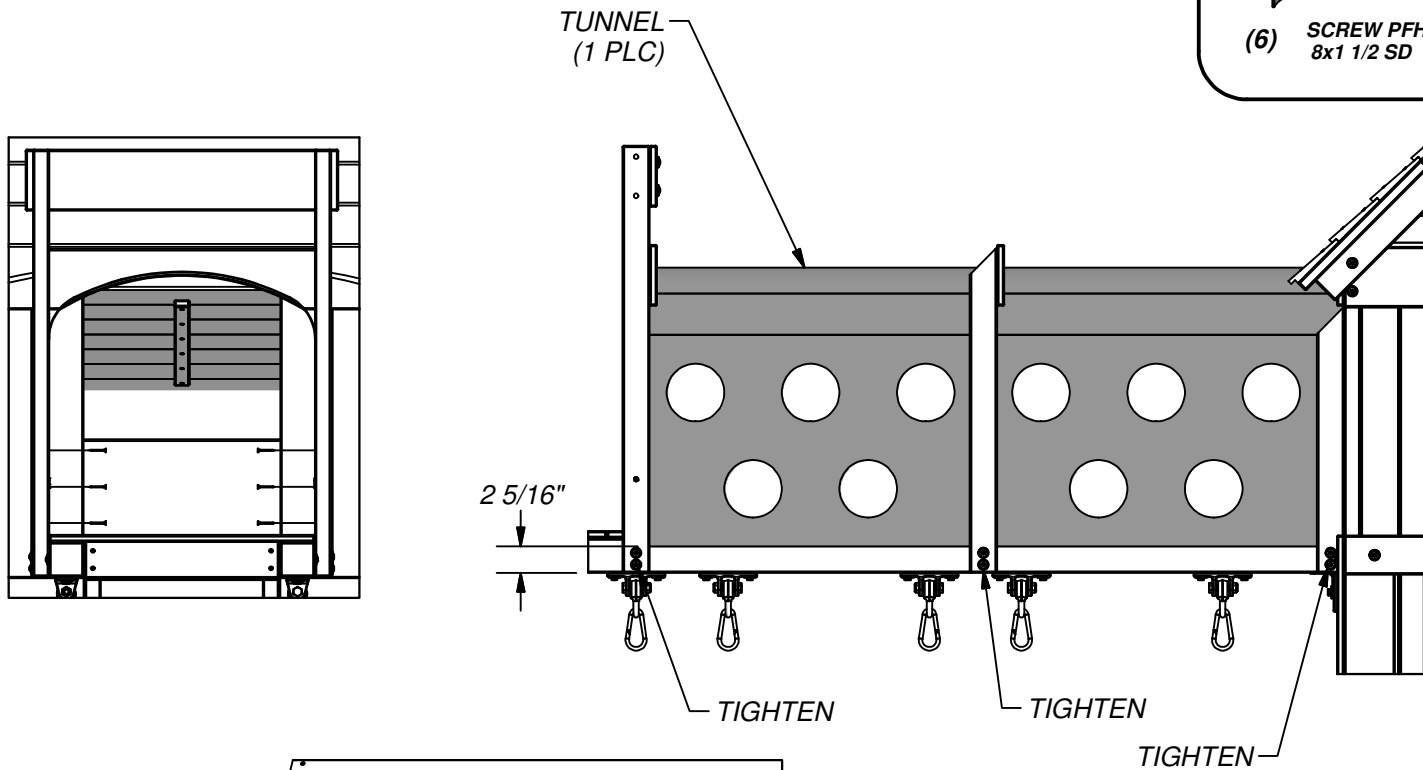
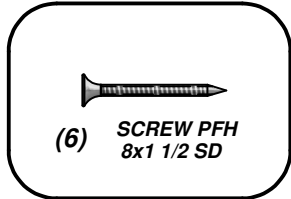
STEP 61

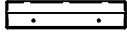




(1) - TUNNEL - A6P00273
1/8"x61 3/8"x64 7/8" (2x1558x1649)

STEP 62



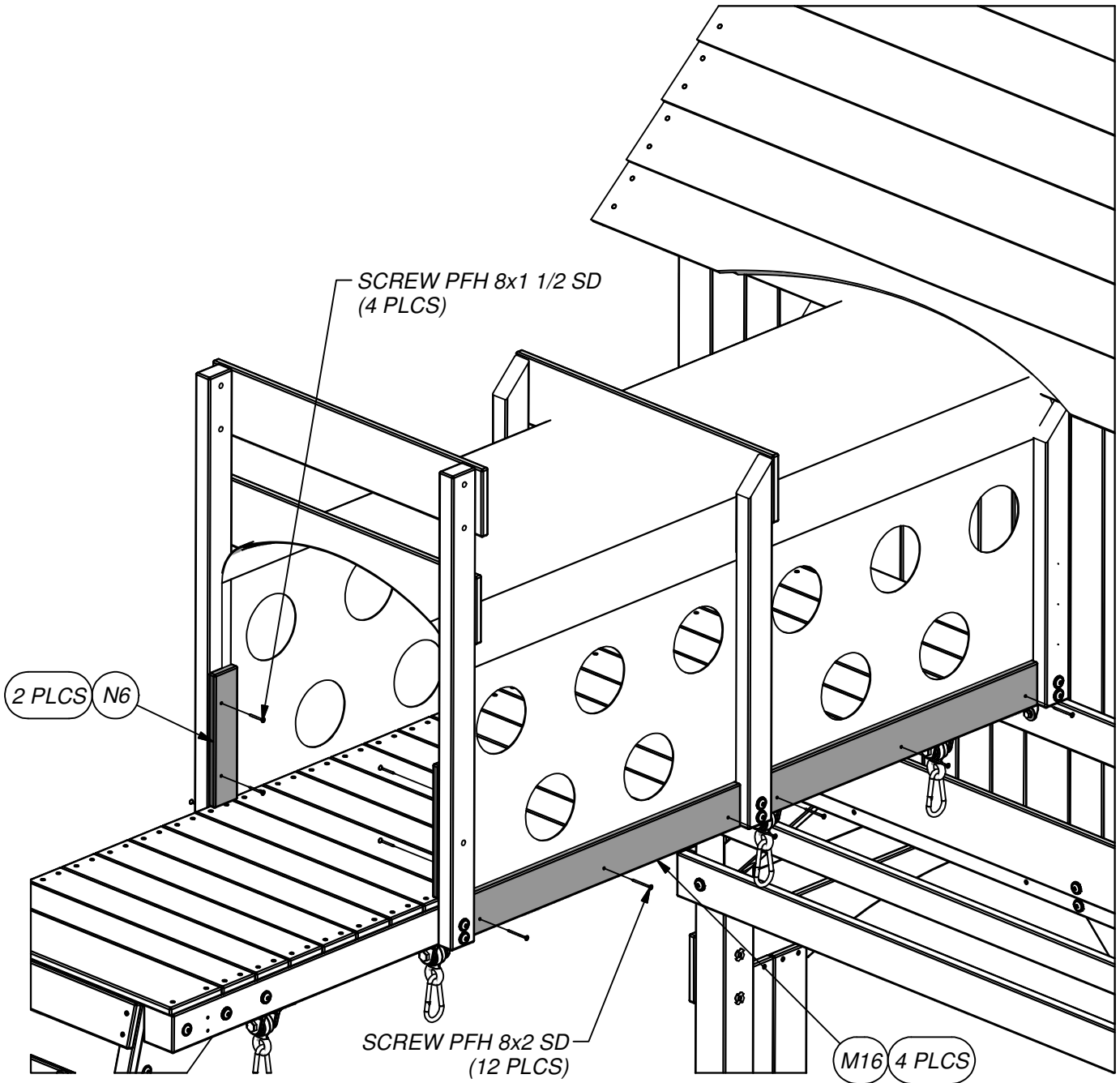
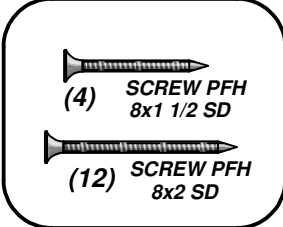


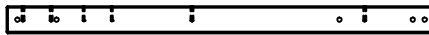
(2) **N6 - WALL BOARD - W4L11236**
 5/8"x2 3/8"x10 3/8" (16x60x264)



(4) **M16 - WALL RAIL - W4L09092**
 5/8"x3 3/8"x27 3/4" (16x86x706)

STEP 63



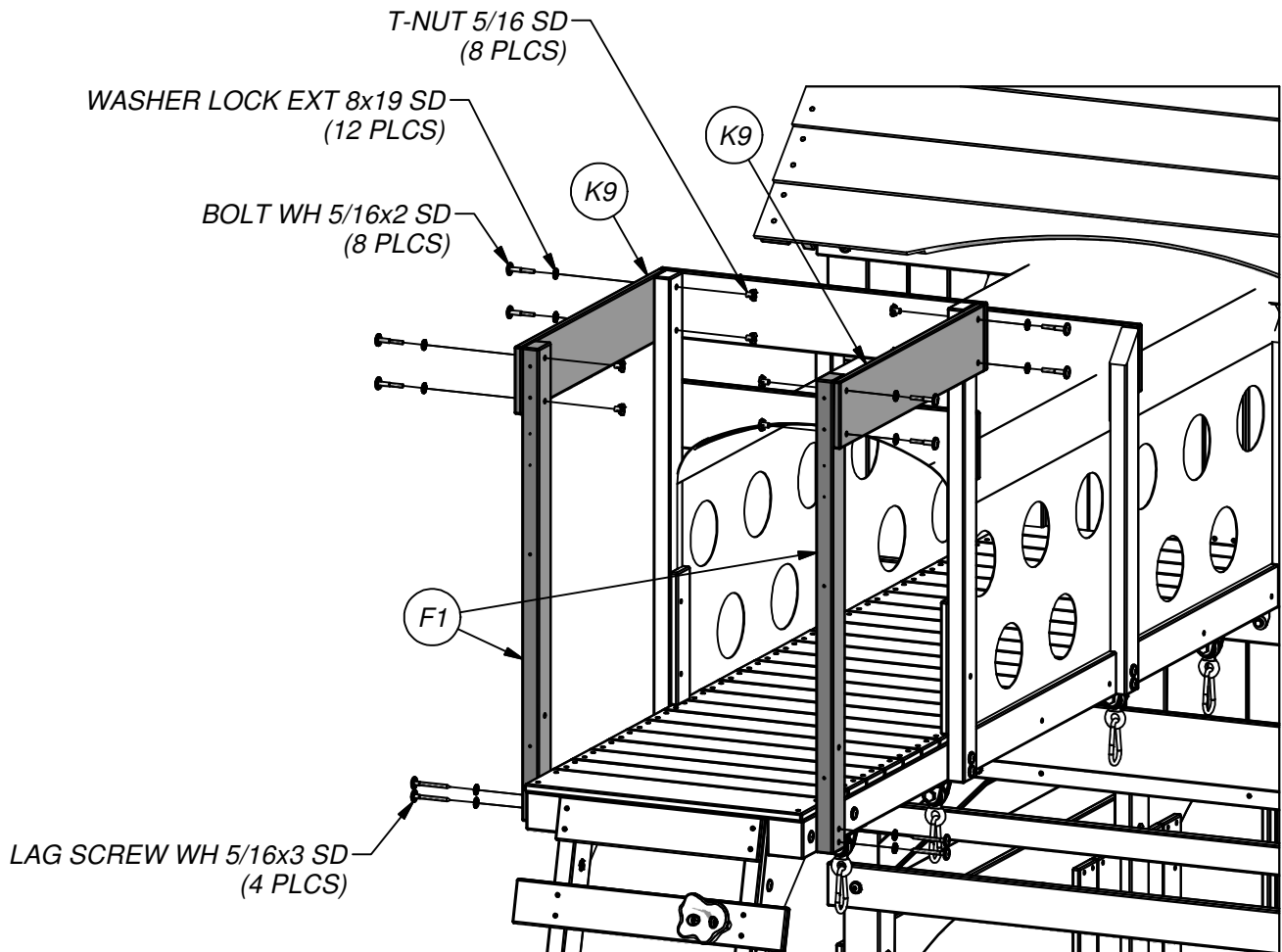
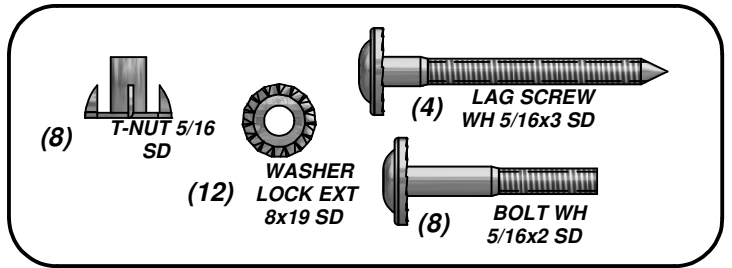


(2) **F1 - UPRIGHT - W4L11185**
1 3/8"x2 3/8"x37" (36x60x940)



(2) **K9 - WALL RAIL - W4L09096**
5/8"x5 1/4"x26 7/8" (16x134x682)

STEP 64





(1) **K8 - WALL RAIL - W4L09097**
5/8"x5 1/4"x27 1/8" (16x134x690)

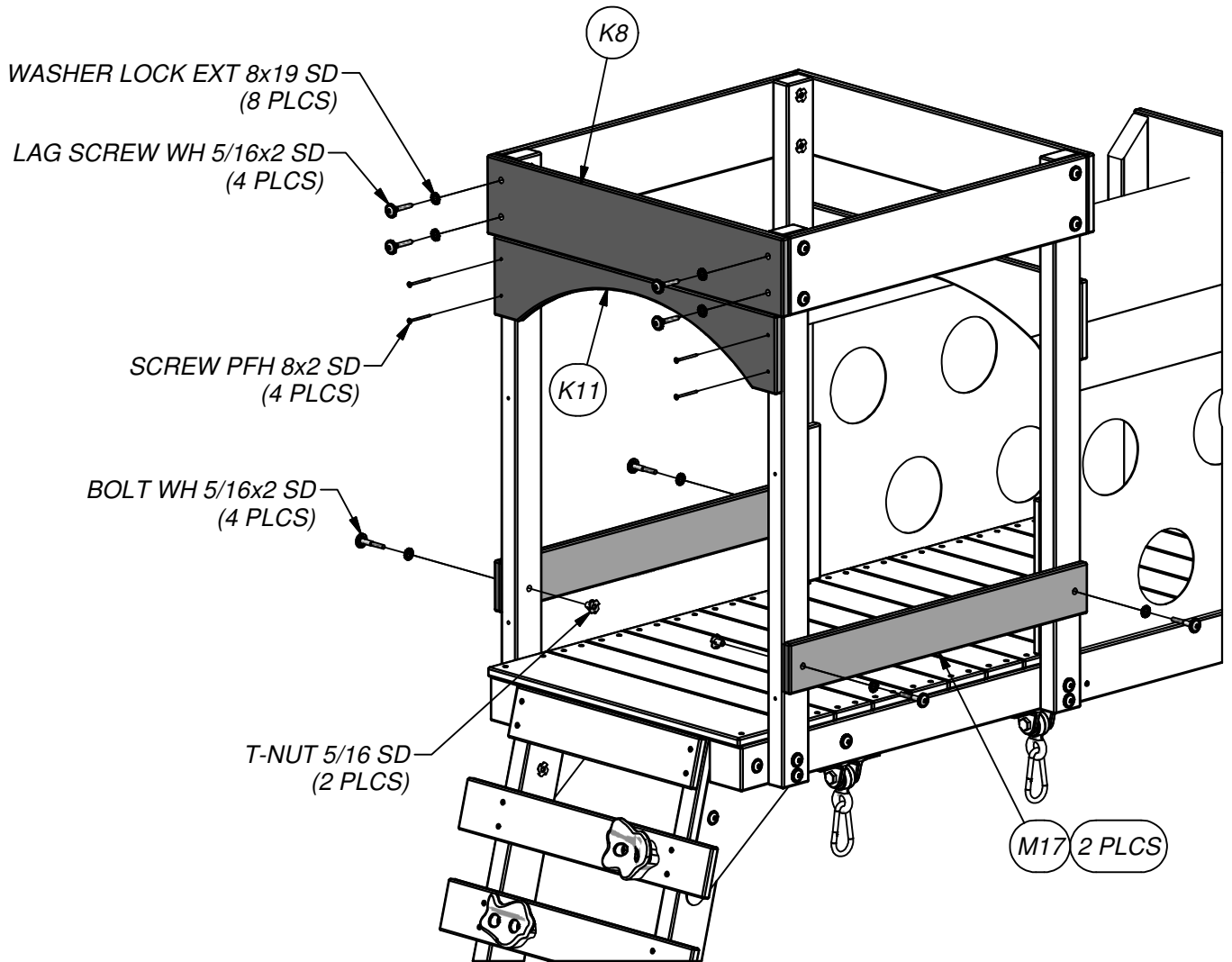
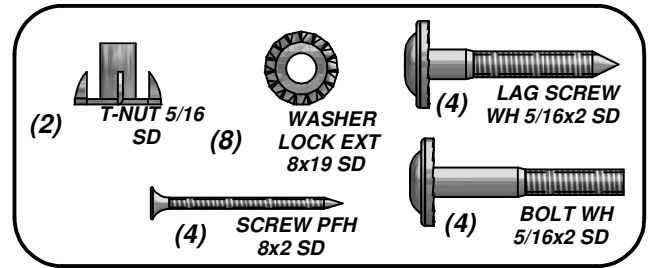


(1) **K11 - ARCHED RAIL - W4L09098**
5/8"x5 1/4"x25 7/8" (16x134x658)



(2) **M17 - WALL RAIL - W4L09095**
5/8"x3 3/8"x26 7/8" (16x86x682)

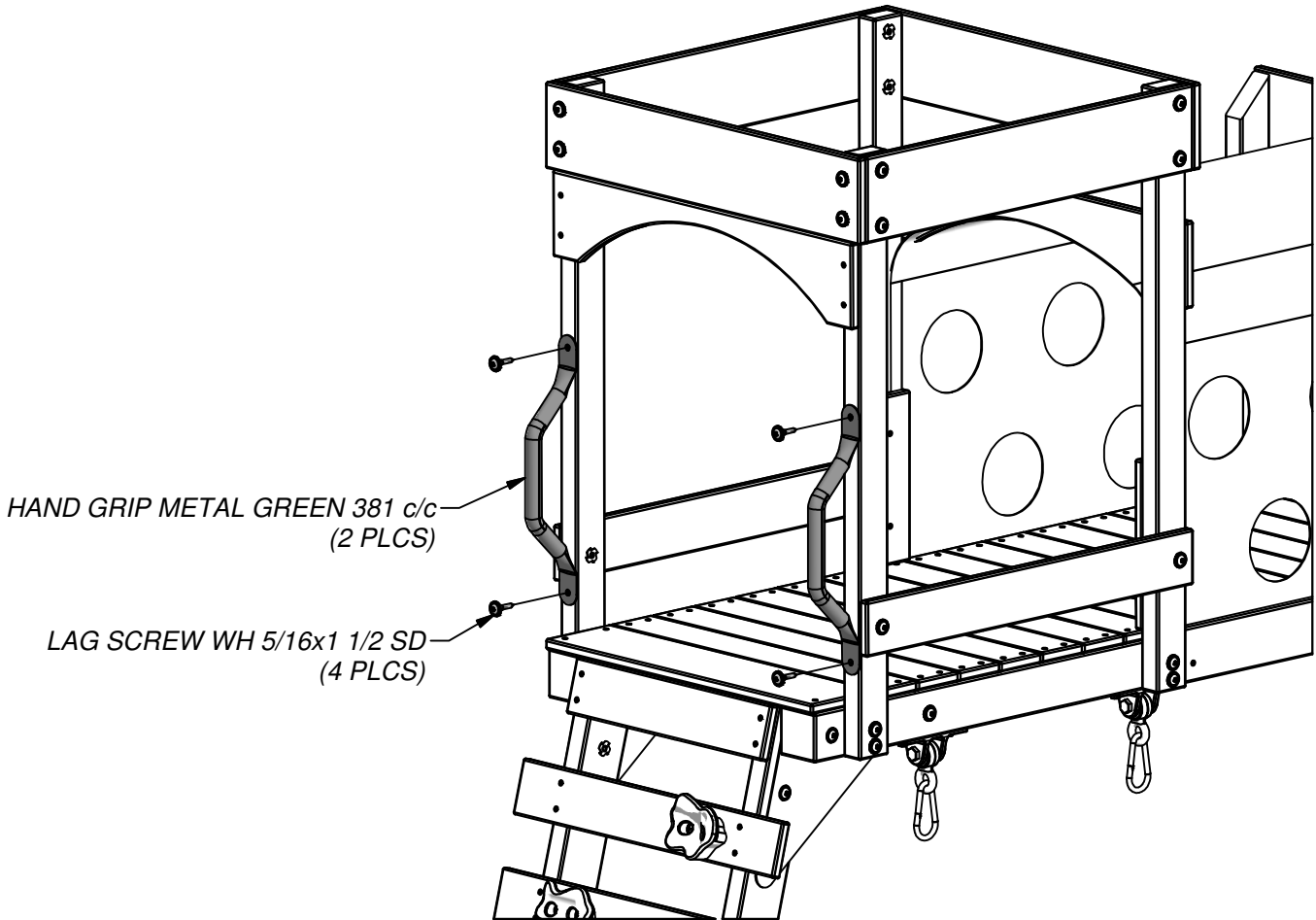
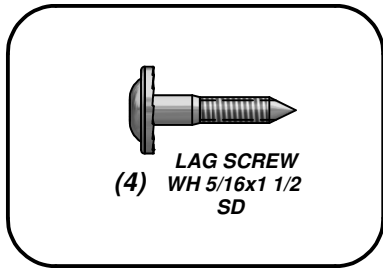
STEP 65





(2) FX - HAND GRIP METAL GREEN 381 c/c - A100118

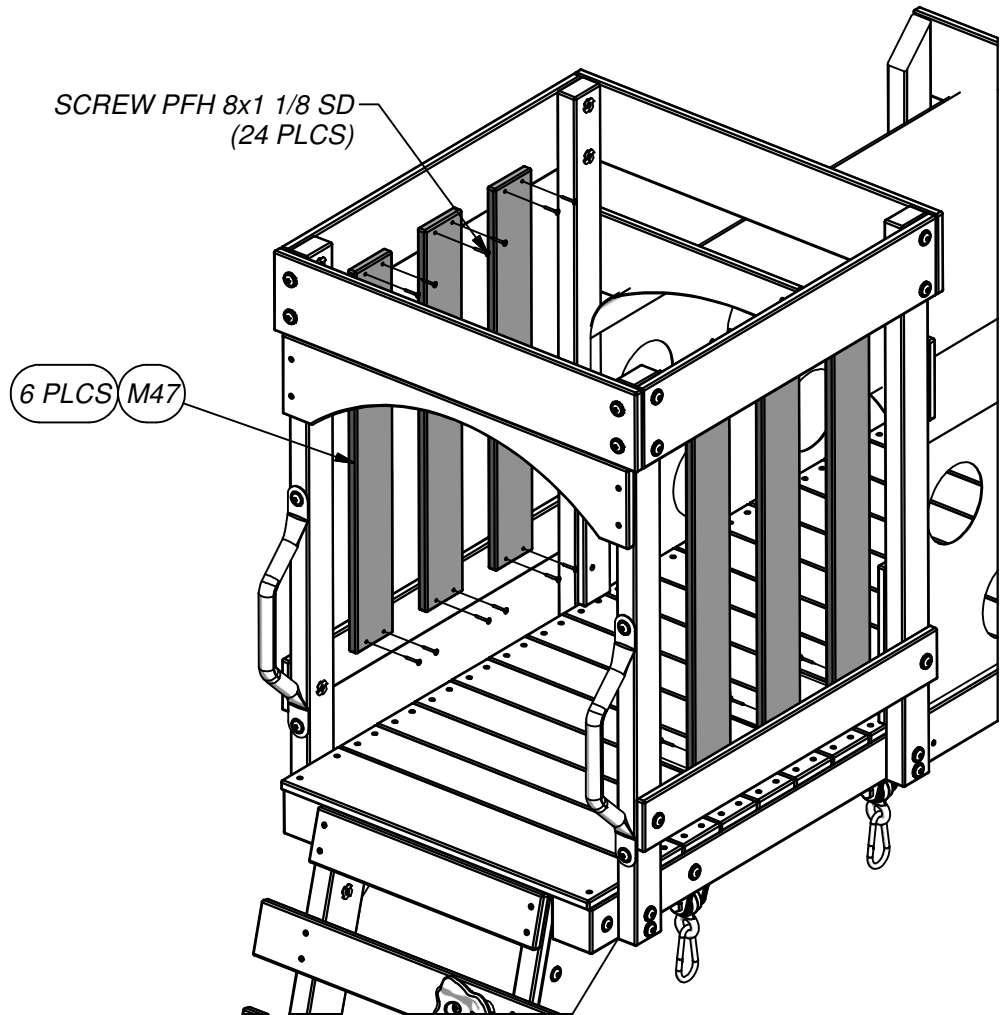
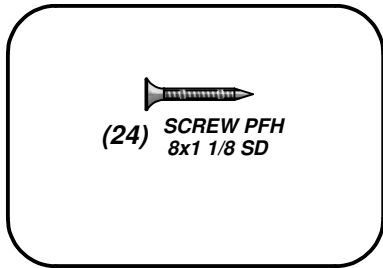
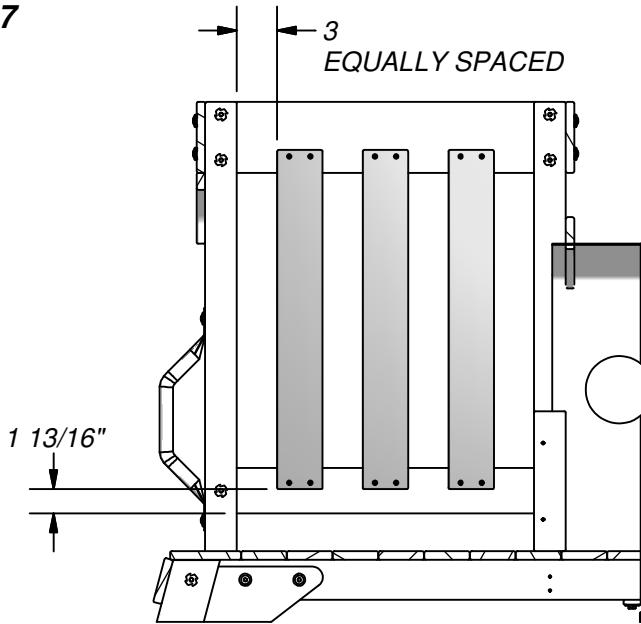
STEP 66





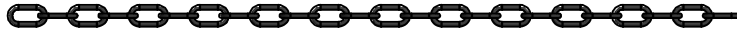
(6) M47 - PICKET - 51 - W4L11233
5/8"x3 3/8"x25 1/4" (16x86x640)

STEP 67





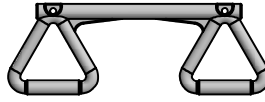
(4) EF - CHAIN GREEN 57" - A100047



(2) - CHAIN GREEN 31" - A100177



(2) - SWING SEAT GREEN 22IN - A6P00054

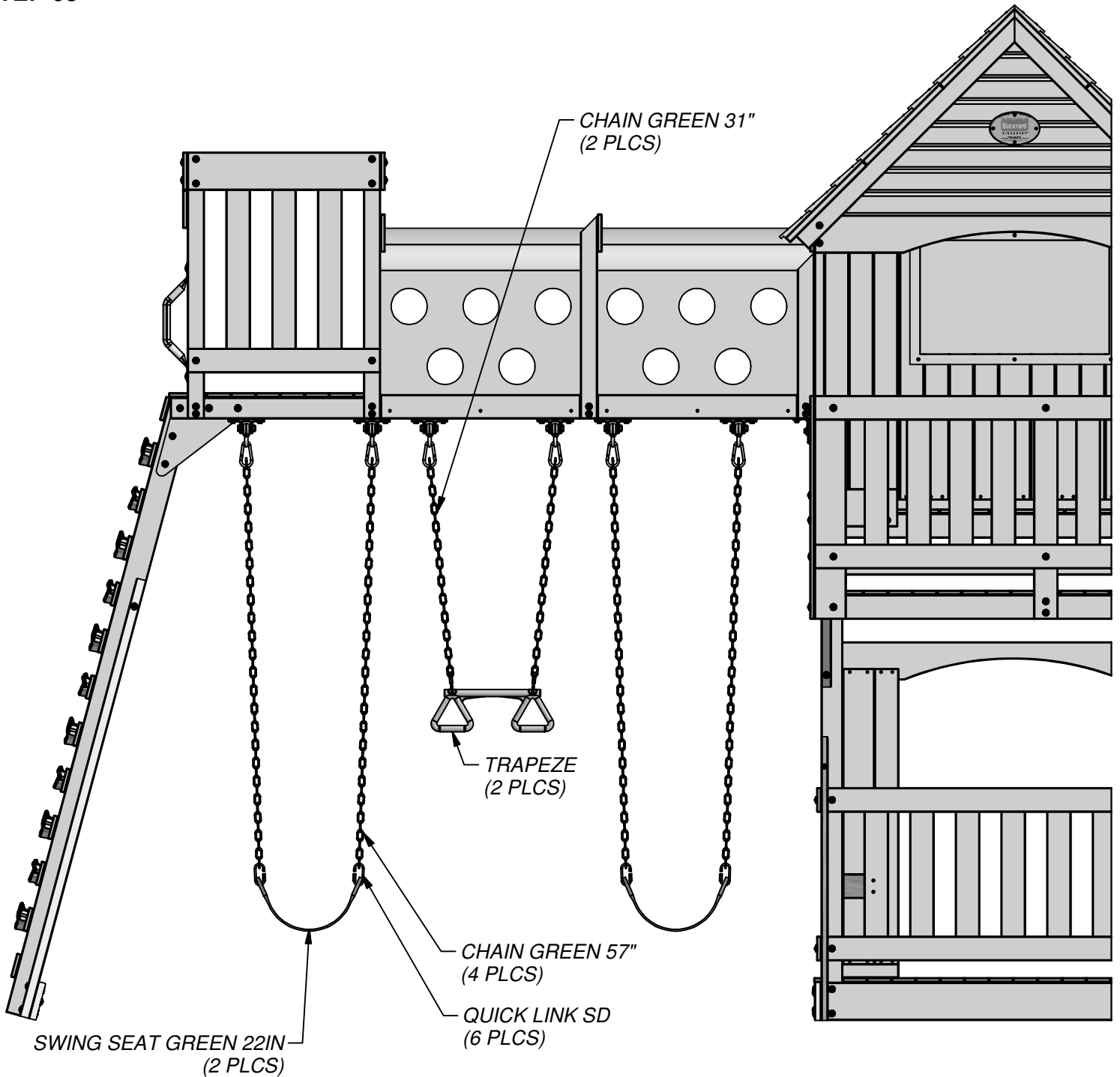


(1) - TRAPEZE - A6P00034



(6) - QUICK LINK SD - A4M00927

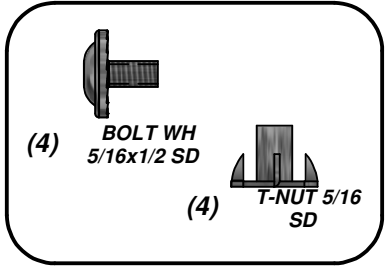
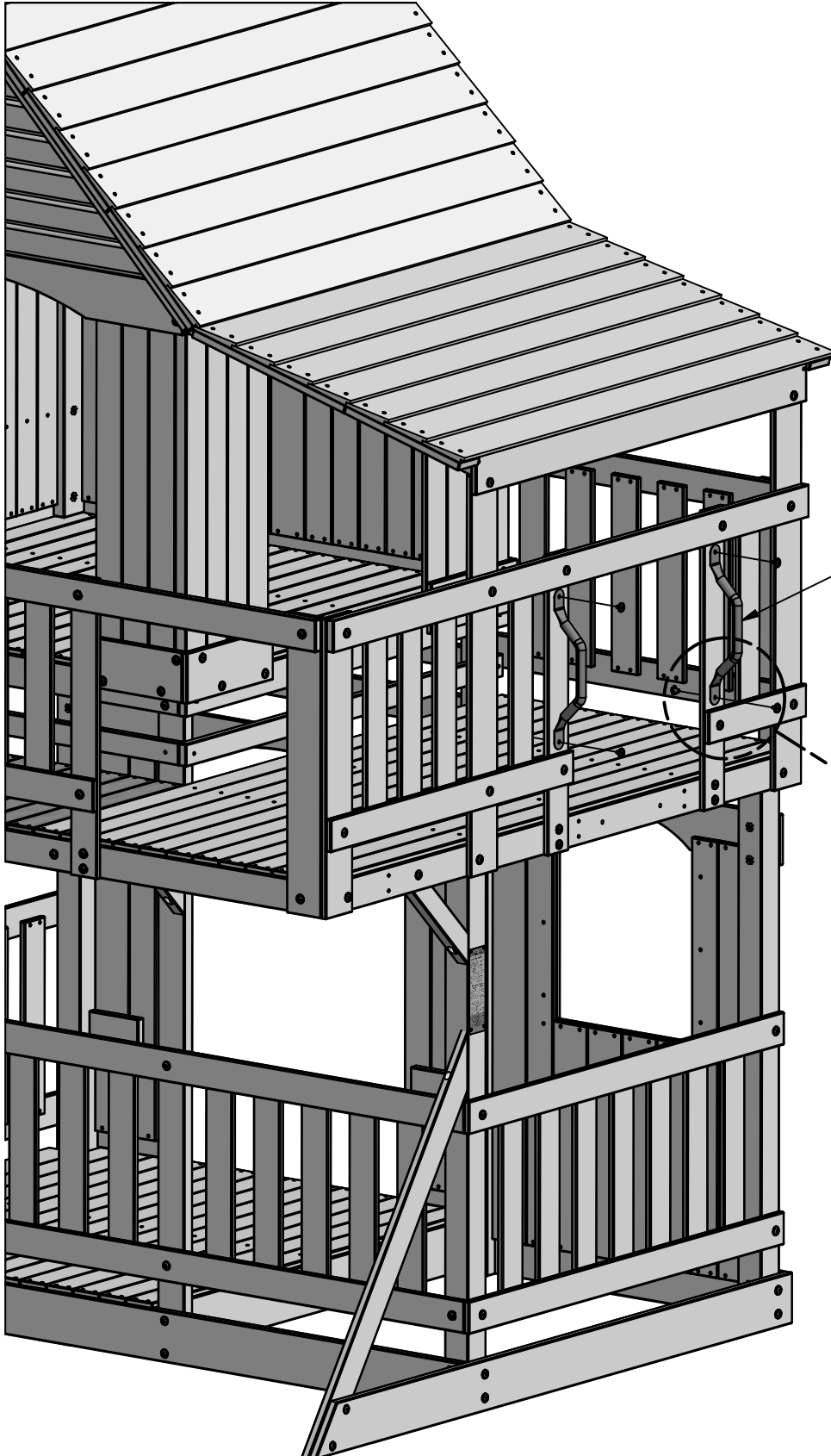
STEP 68



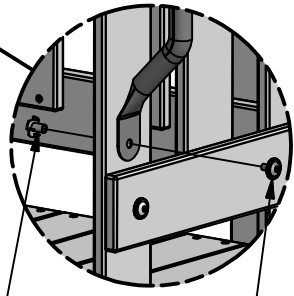


(2) - HAND GRIP METAL GREEN 381 c/c - A100118

STEP 69

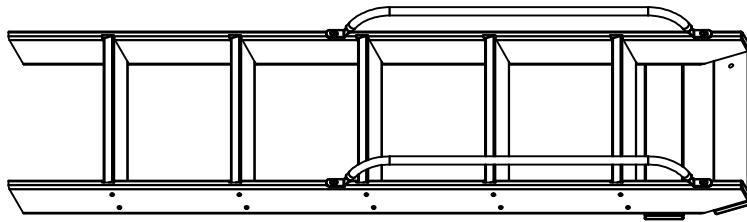


HAND GRIP METAL GREEN 381 c/c
(2 PLCS)



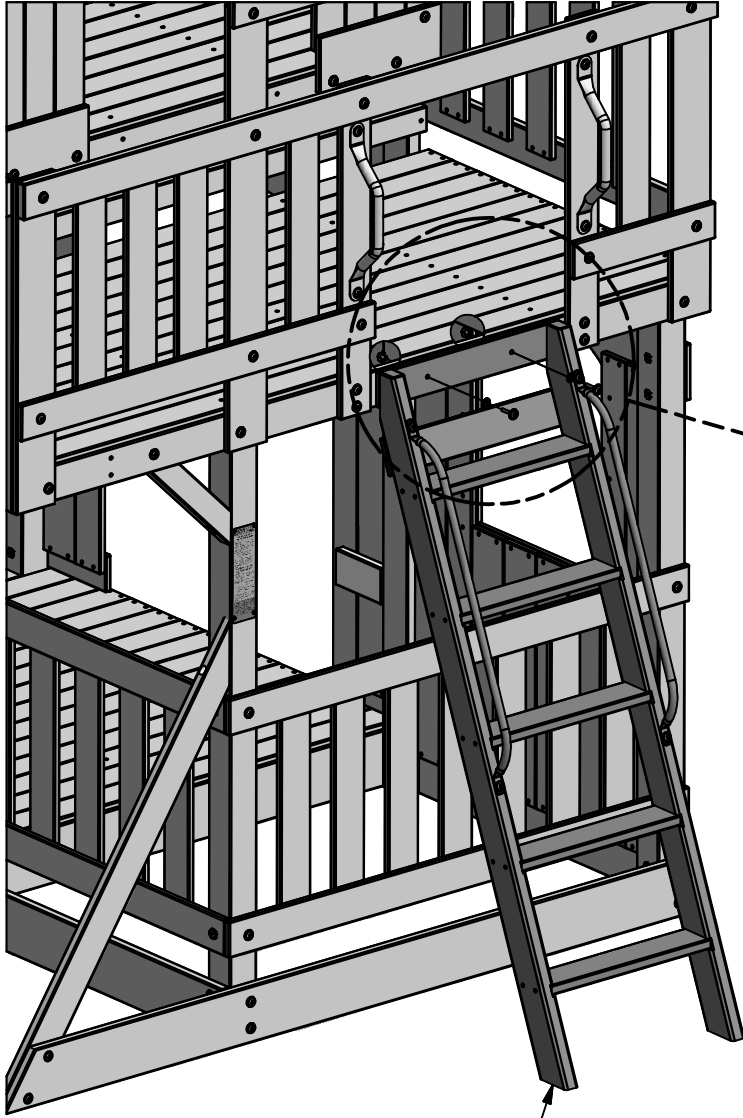
BOLT WH 5/16x1/2 SD
(4 PLCS)

T-NUT 5/16 SD
(4 PLCS)

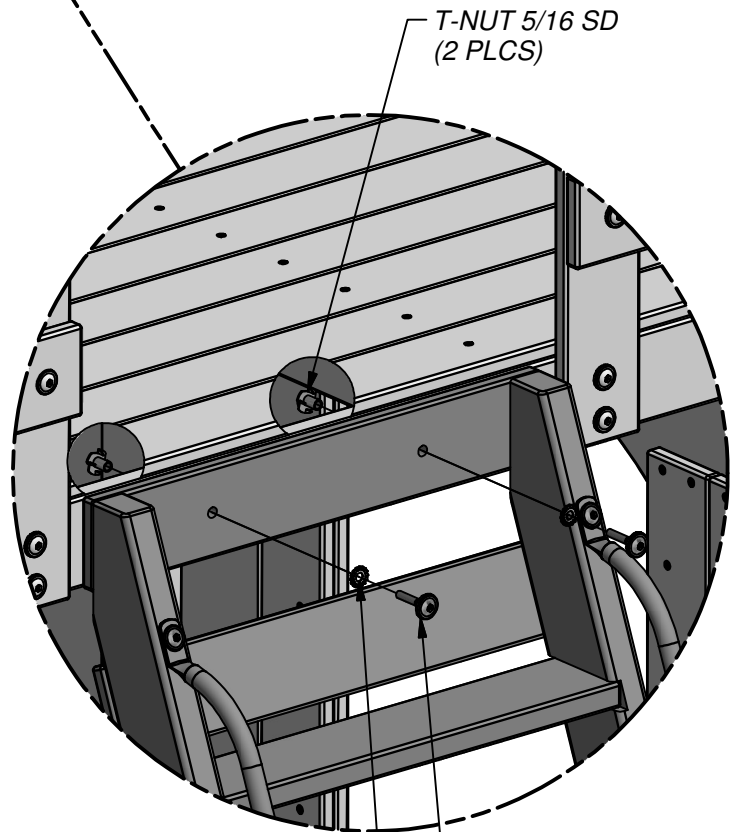
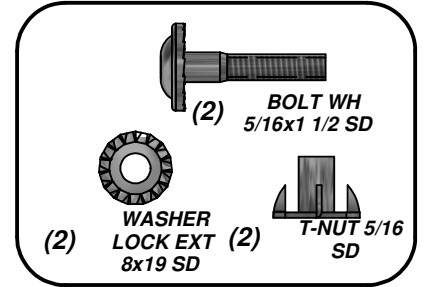


LADDER ASSEMBLY

STEP 70



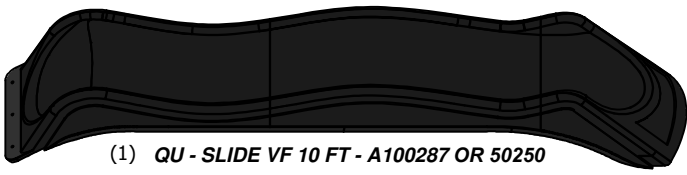
LADDER ASSEMBLY



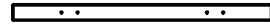
T-NUT 5/16 SD
(2 PLCS)

BOLT WH 5/16x1 1/2 SD
(2 PLCS)

WASHER LOCK EXT 8x19 SD
(2 PLCS)

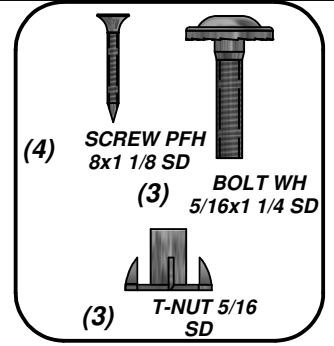
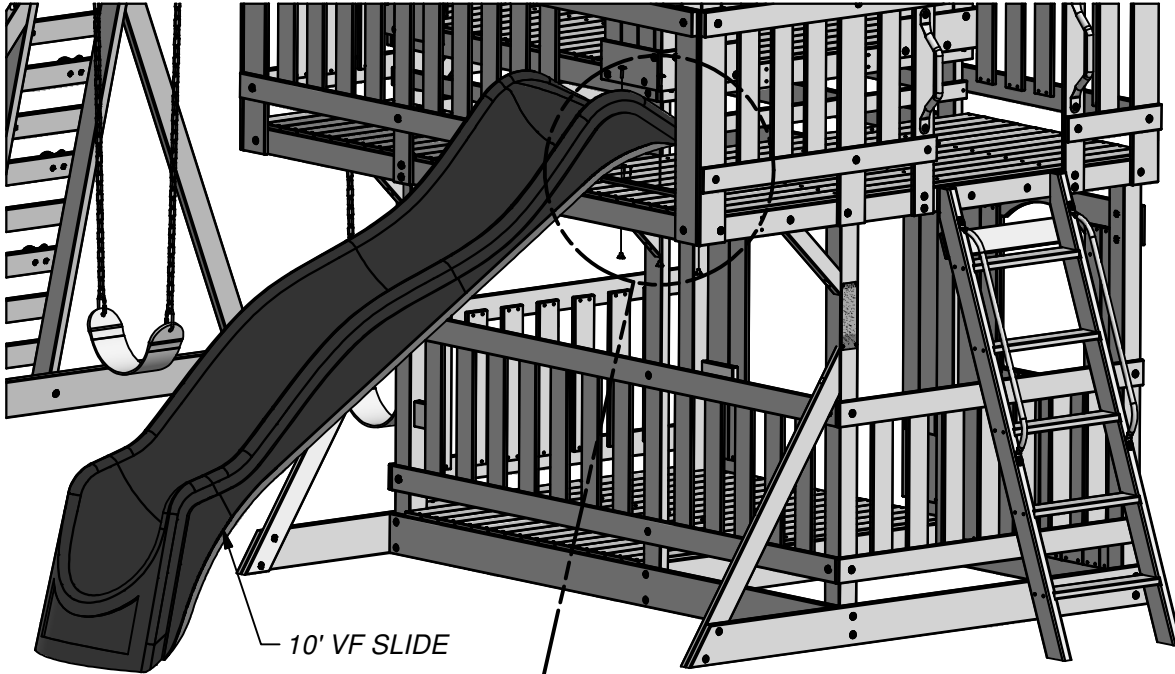


(1) QU - SLIDE VF 10 FT - A100287 OR 50250

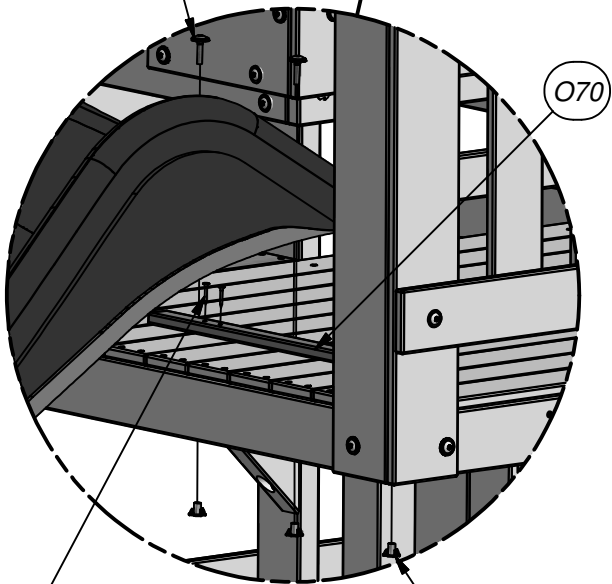


(1) O70 - SLIDE MOUNTING BOARD - W4L09040
5/8"x1 3/8"x20 3/8" (16x34x517)

STEP 71

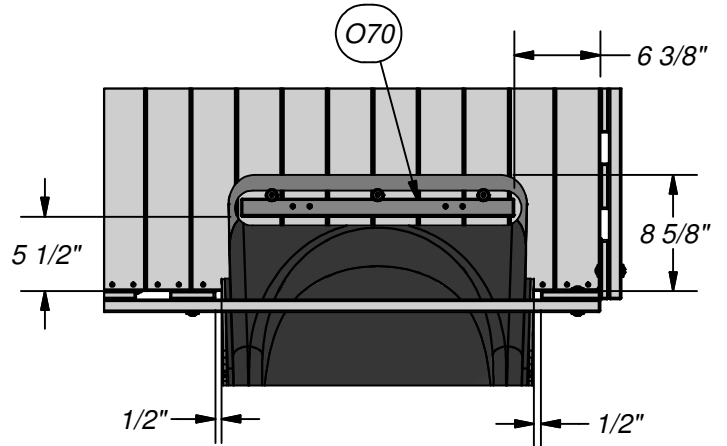


BOLT WH 5/16x1 1/4 SD
(3 PLCS)



SCREW PFH 8x1 1/8 SD
(4 PLCS)

T-NUT 5/16 SD
(3 PLCS)





(1) H18 - SEAT - W4L11195
1"x3 3/8"x49 7/8" (24x86x1266)

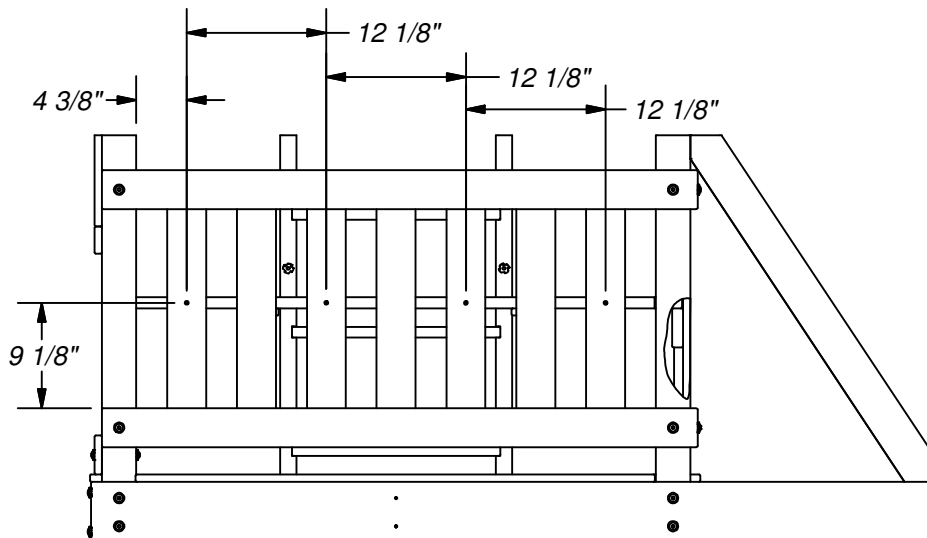
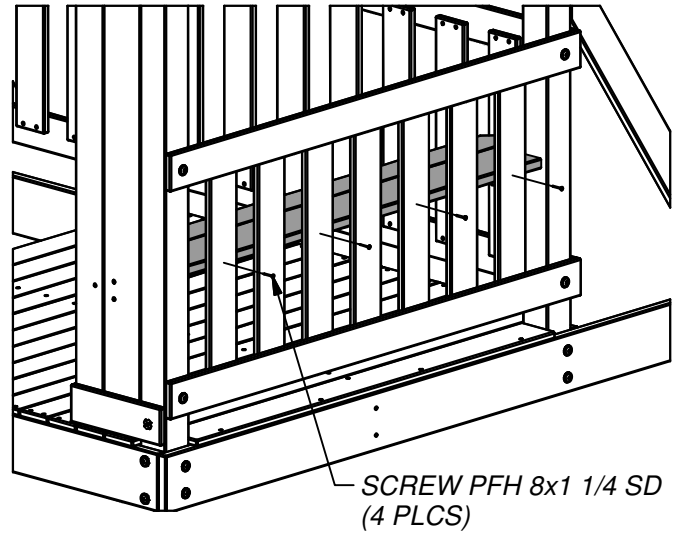
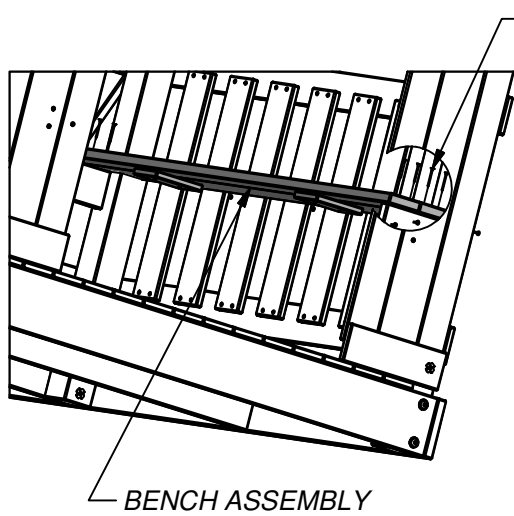
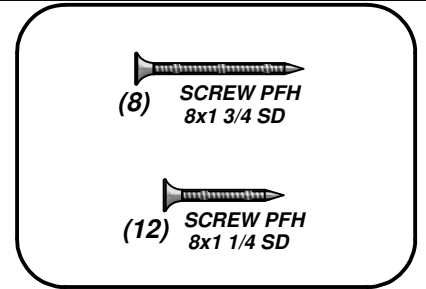
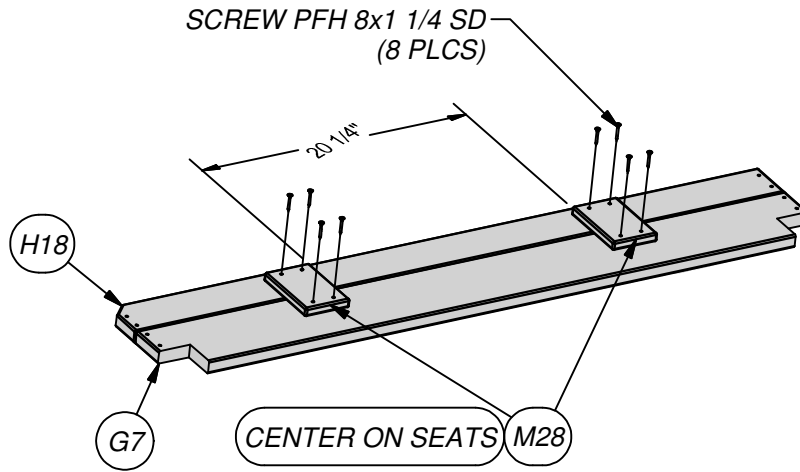


(1) G7 - SEAT - W4L11189
1"x5 1/4"x49 7/8" (24x134x1266)



(2) M28 - CLEAT - W4L11232
5/8"x3 3/8"x5 1/4" (16x86x132)

STEP 72

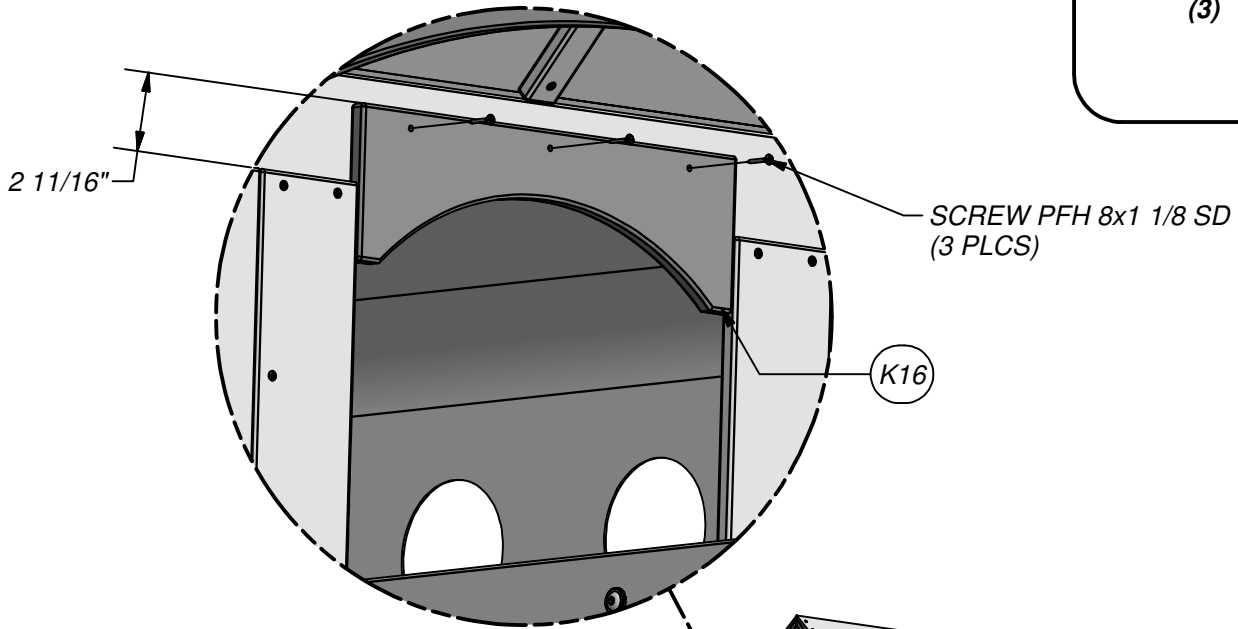
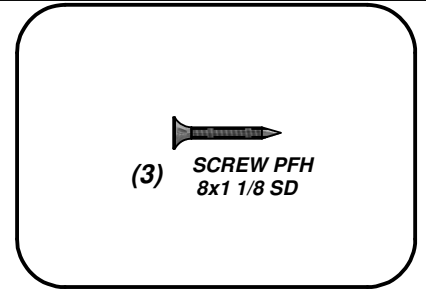


NOTE:
PRE-DRILL 3/16" (5mm)
FOR ALL SCREWS
THIS STEP



(1) **K16 - SAFETY RAIL - W4L11199**
5/8"x5 1/4"x16 7/8" (16x134x430)

STEP 73



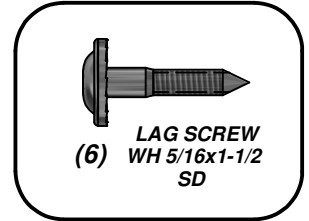


(6) - GROUND STAKE REBAR - A4M00527

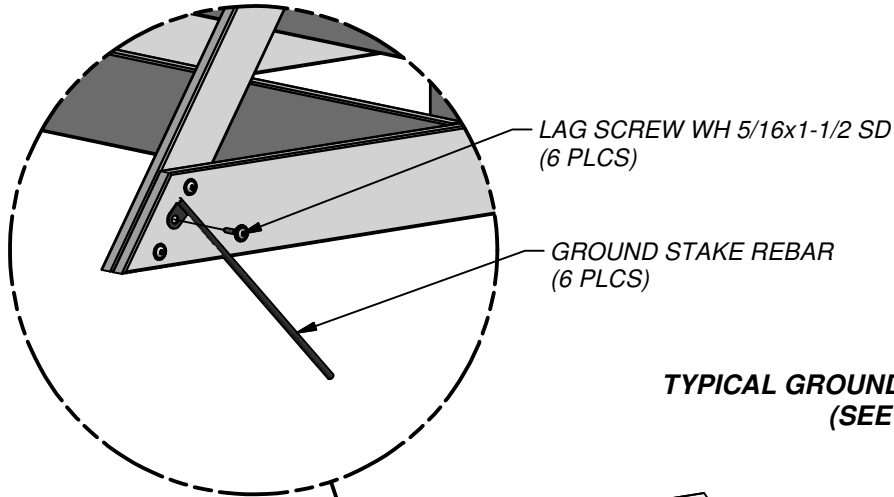
STEP 74

NOTE:

FAILURE TO USE GROUND STAKES CAN VOID WARRANTY AND CAUSE INJURY!



LAG SCREW
(6) WH 5/16x1-1/2 SD



**TYPICAL GROUND STAKE PLACEMENT
(SEE BELOW)**



FINAL STEP

DOUBLE CHECK EVERY BOLT, SCREW AND NUT FOR TIGHTNESS. MAKE SURE EVERY BOARD IS SECURE AND MAKE SURE THE PLAYSET IS LEVEL.

ENJOY YOUR NEW PLAYSET!

Limited Warranty

This Limited Warranty by Backyard Discovery applies to products manufactured under the Backyard Discovery brand or its other brands including but not limited to Backyard Botanical, Adventure Playsets, and Leisure Time Products.

Backyard Discovery warrants that this product is free from defect in materials and workmanship for a period of one (1) year from the original date of purchase. This one (1) year warranty covers all parts including wood, hardware, and accessories. All wood carries a five (5) year pro-rated warranty against rot and decay. Refer to the schedule below for charges associated with replacement of parts under this Limited Warranty. In addition, Backyard Discovery will replace any parts within the first 30 days from date of purchase found to be missing from or damaged in the original packaging.

This warranty applies to the original owner and registrant and is **non-transferable**. Regular maintenance is required to assure maximum life and performance of this product and failure by the owner to maintain the product according to the maintenance requirements may void this warranty. Maintenance guidelines are provided in the Owner's Manual.

This Limited Warranty does not cover:

- Labor for any inspection
- Labor for replacement of any defective item(s)
- Incidental or consequential damages
- Cosmetic defects which do not affect performance or integrity of a part or the entire product
- Vandalism, improper use, failure due to loading or use beyond the capacities stated in the applicable Assembly Manual.
- Acts of nature including but not limited to wind, storms, hail, floods, excessive water exposure
- Improper installation including but not limited to installation on uneven, unlevel, or soft ground
- Minor twisting, warping, checking, or any other natural occurring properties of wood that do not affect performance or integrity

Backyard Discovery products have been designed for safety and quality. Any modifications made to the original product could damage the structural integrity of the unit leading to failure and possible injury. Modification voids any and all warranties and Backyard Discovery assumes no liability for any modified products or consequences resulting from failure of a modified product.

This product is warranted for RESIDENTIAL USE ONLY. Under no circumstance should a Backyard Discovery product be used in public settings. Such use may lead to product failure and potential injury. Any and all public use will void this warranty. Backyard Discovery disclaims all other representations and warranties of any kind, express or implied.

This Warranty gives you specific legal rights. You may have other rights as well which vary from state to state or province to province. This warranty excludes all consequential damages, however, some states do not allow the limitation or exclusion of consequential damages and therefore this limitation may not apply to you.

Pro Rated Part Replacement Schedule

Product Age

All Parts

0-30 days from date of purchase

31 days to 1 year

Wood Rot and Decay Only

1 year

2 years

3 years

4 years

5 years

Over 5 years

Customer Pays

\$0 and free shipping

\$0 + S&H

\$0 and free shipping

20% + S&H

40% + S&H

60% + S&H

80% + S&H

100% + S&H